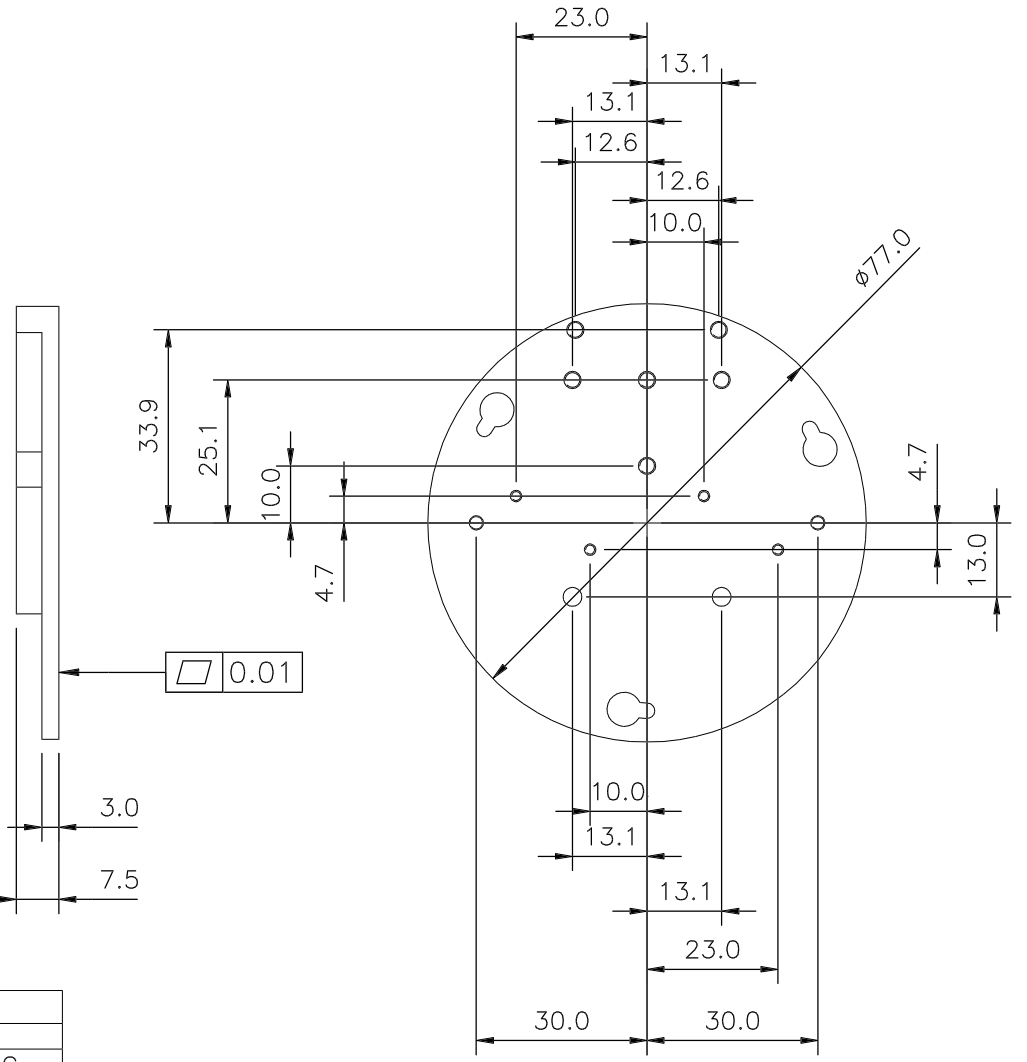
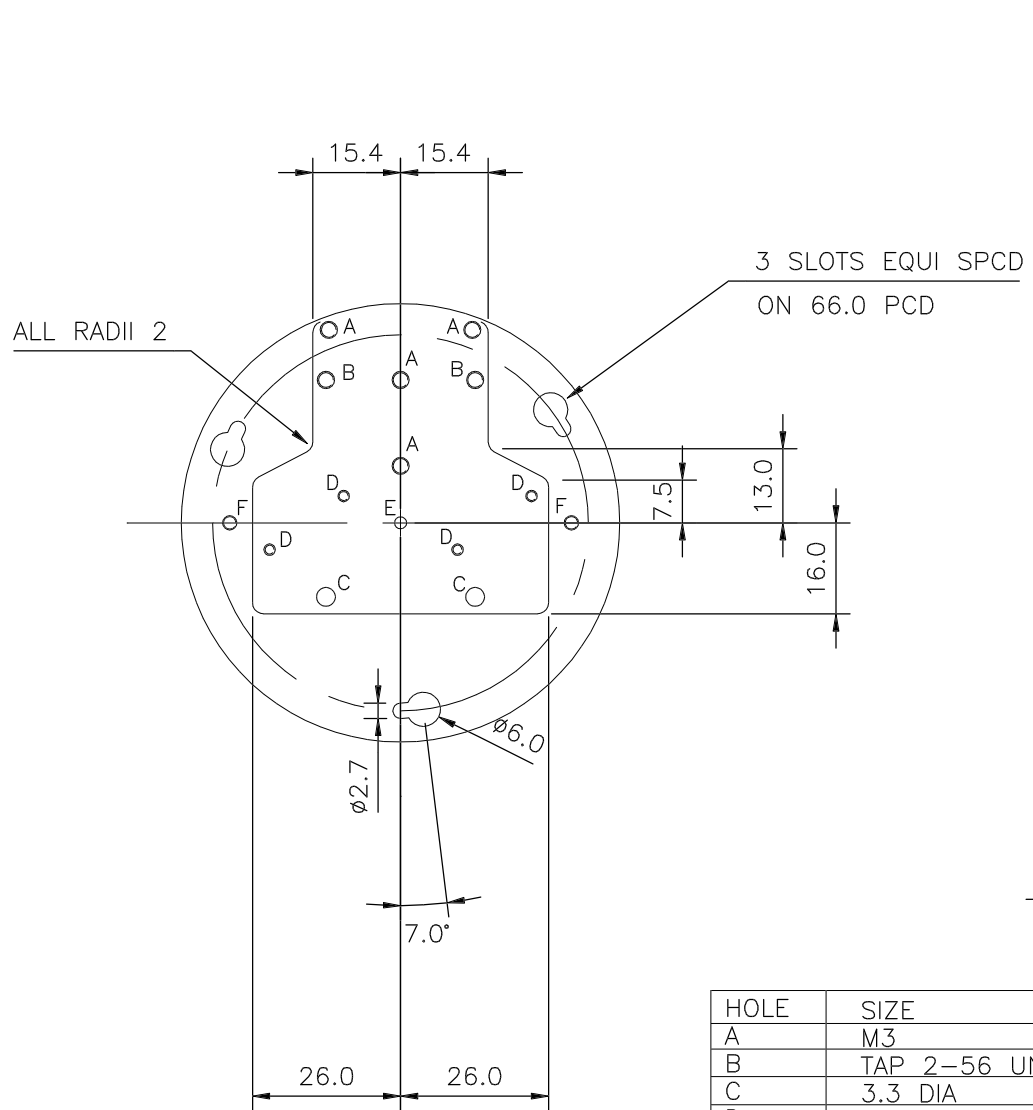




DRG NO.  
RA/504

DO NOT SCALE  
REMOVE ALL SHARP EDGES



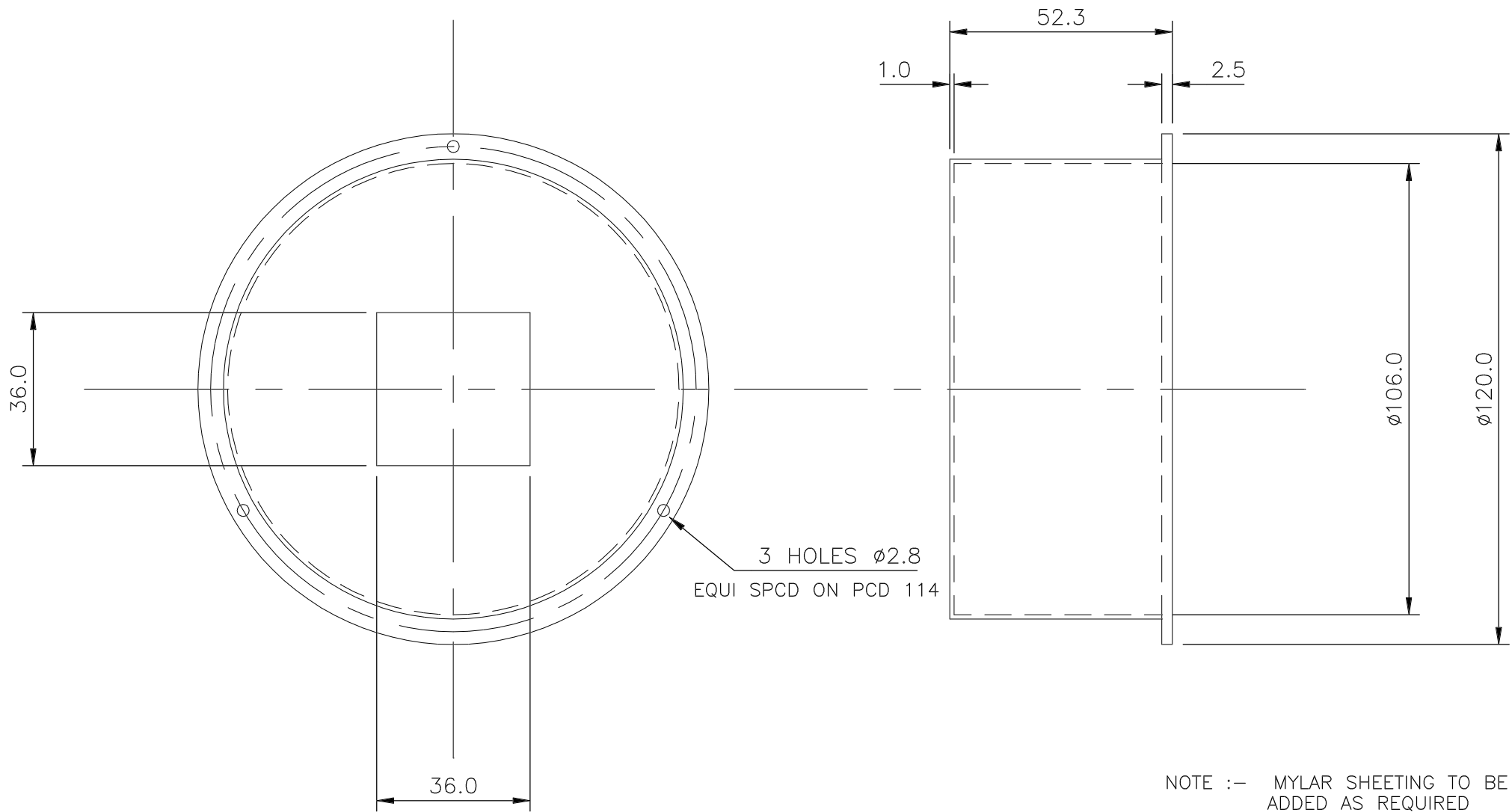
HOLE	SIZE
A	M3
B	TAP 2-56 UNC
C	3.3 DIA
D	M2
E	2.1 DIA x 6.5 DP
F	M2.5

			TOLERANCES (UNLESS OTHERWISE STATED)	MATERIAL	THIRD ANGLE PROJECTION	DIMS IN mm	ORIGINAL SCALE	ORIGINAL SHEET SIZE A3	G.A. NO.	RA/000	
			X ±	INVAR		ROYAL GREENWICH OBSERVATORY		TITLE			
1	18/07/95	PDJ	X.X ± 0.1	FINISH	No. REQ'D	MADINGLEY ROAD		INVAR COLD BLOCK			
ISSUE	DATE	DRAWN	X.XX ±	POLISH		CAMBRIDGE CB3 0EZ		LORAL 2K CCD UNIT			
			ANG. ±					DRG NO.	RA/504	SHT. 1	LOC'N RA



DRG NO.  
RA/502

DO NOT SCALE



3 HOLES  $\phi 2.8$   
EQUI SPCD ON PCD 114

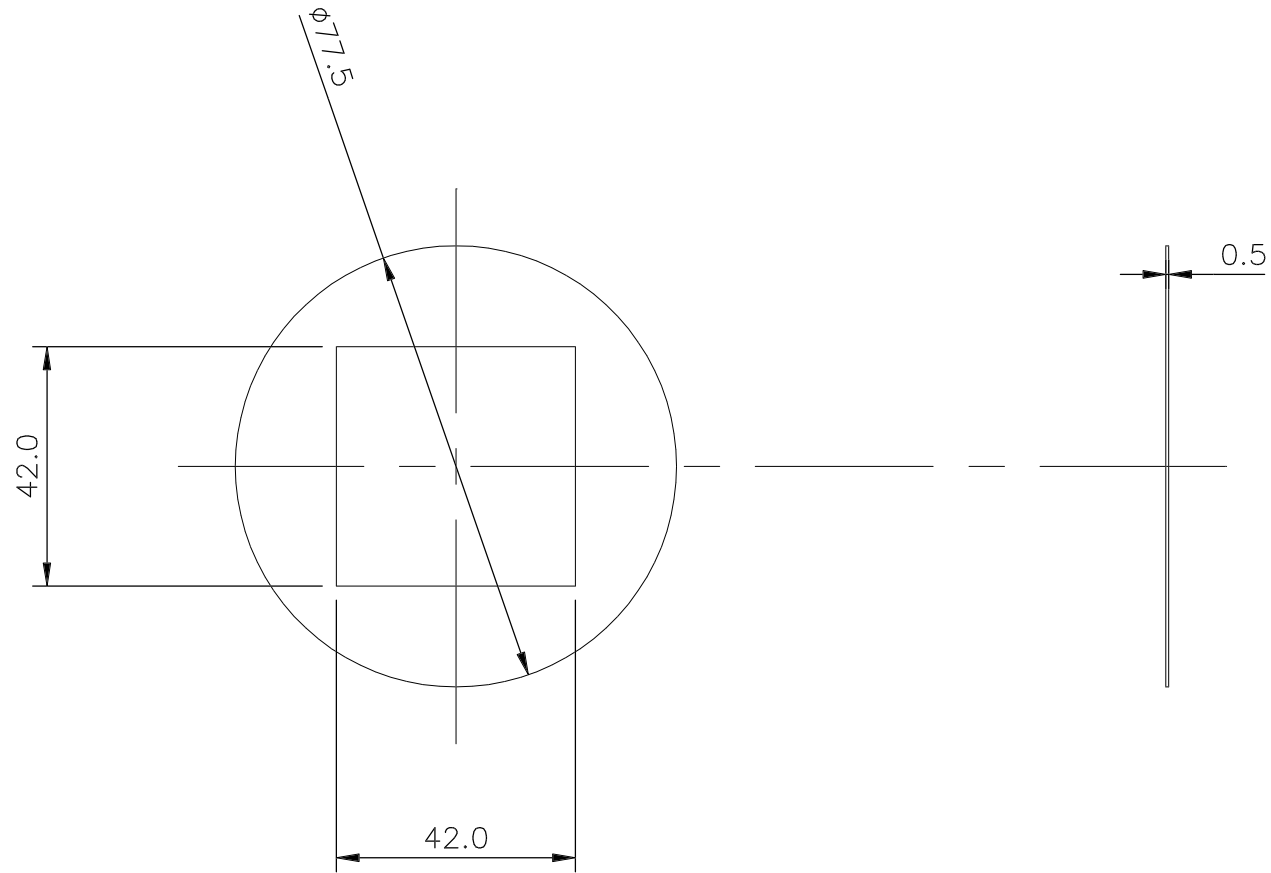
NOTE :- MYLAR SHEETING TO BE ADDED AS REQUIRED

			TOLERANCES (UNLESS OTHERWISE STATED)	MATERIAL	THIRD ANGLE PROJECTION	DIMS IN mm	ORIGINAL SCALE 1:1	ORIGINAL SHEET SIZE A3	G.A. NO.	RA/000
			X $\pm 0.5$	HP30 ALLOY		ROYAL GREENWICH OBSERVATORY		TITLE		
13/07/95			X.X $\pm 0.25$	FINISH	No. REQ'D	MADINGLEY ROAD		RADIATION SHIELD		
PDJ			X.XX $\pm 0.1$	CLEAN	1	CAMBRIDGE CB3 0EZ		LORAL 2K CCD CHIP		
ISSUE	DATE	DRAWN	ANG. $\pm$			DRG NO.	RA/502	SHT.	1	LOC'N RA

DRG NO.

RA/501

DO NOT SCALE



			TOLERANCES (UNLESS OTHERWISE STATED)	MATERIAL	THIRD ANGLE PROJECTION	DIMS IN mm	ORIGINAL SCALE 1:1	ORIGINAL SHEET SIZE A3	G.A. NO.	RA/000	
			X ± 0.2	Be.Cu.		ROYAL GREENWICH OBSERVATORY		TITLE			
	13/07/95	PDJ	X.X ± 0.1	FINISH	No. REQ'D	MADINGLEY ROAD		RETAINER			
			X.XX ± 0.05	CLEAN	1	CAMBRIDGE CB3 0EZ		LORAL 2K CCD UNIT			
ISSUE	DATE	DRAWN	ANG. ±					DRG NO.	RA/501	SHT. 1	LOC'N RA