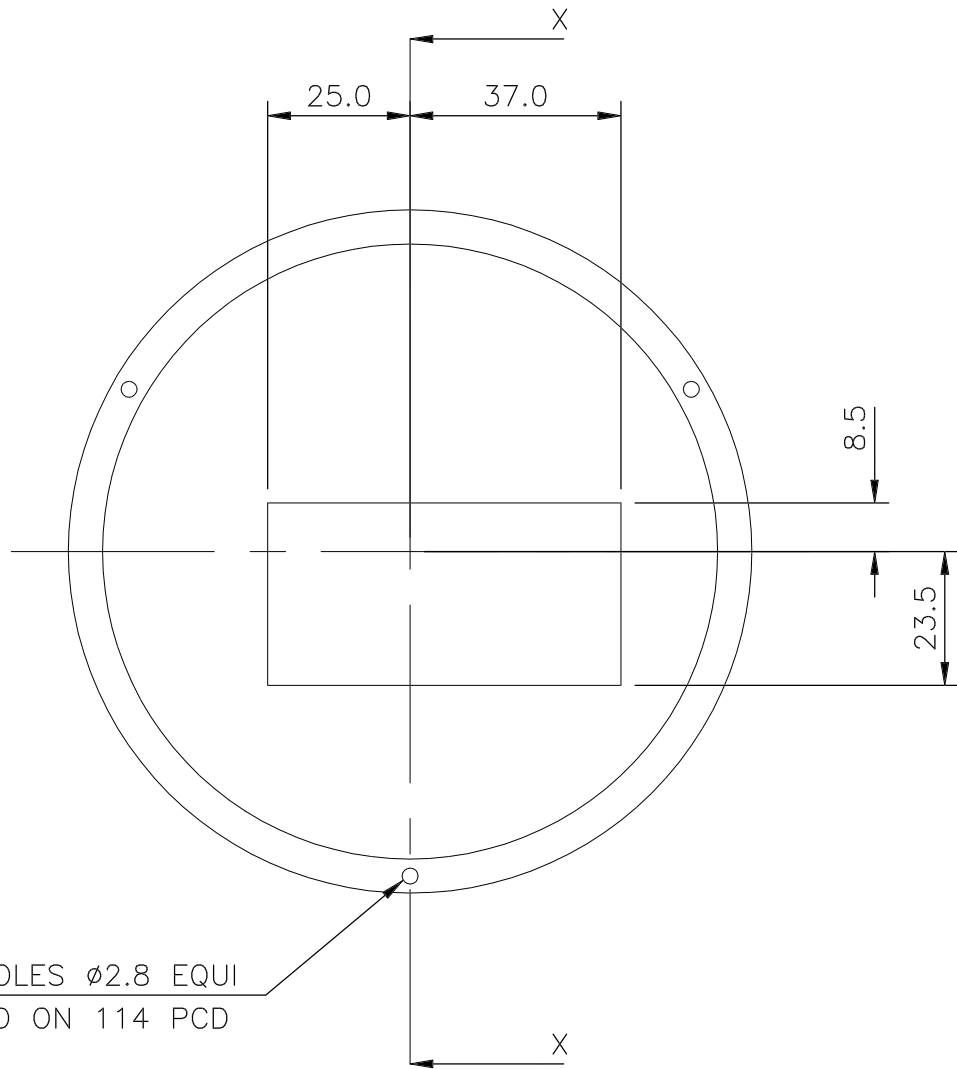
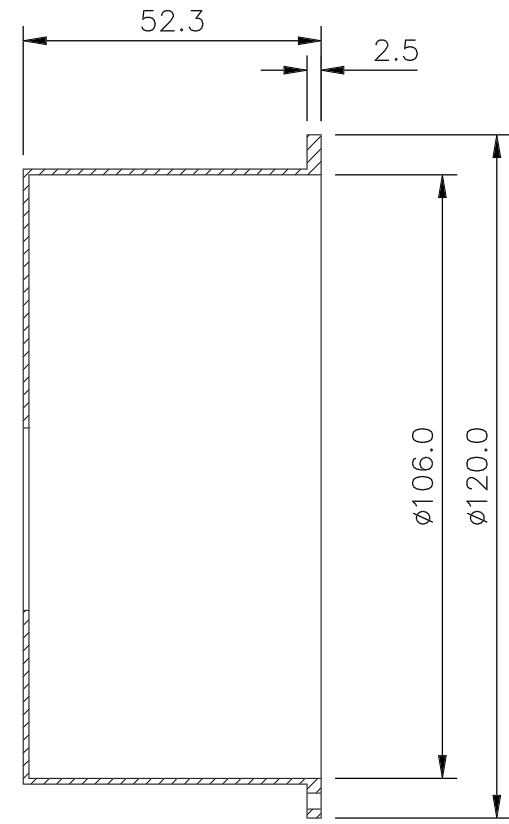


DRG NO.
RA/506

DO NOT SCALE



3 HOLES Ø2.8 EQUI
SPCD ON 114 PCD

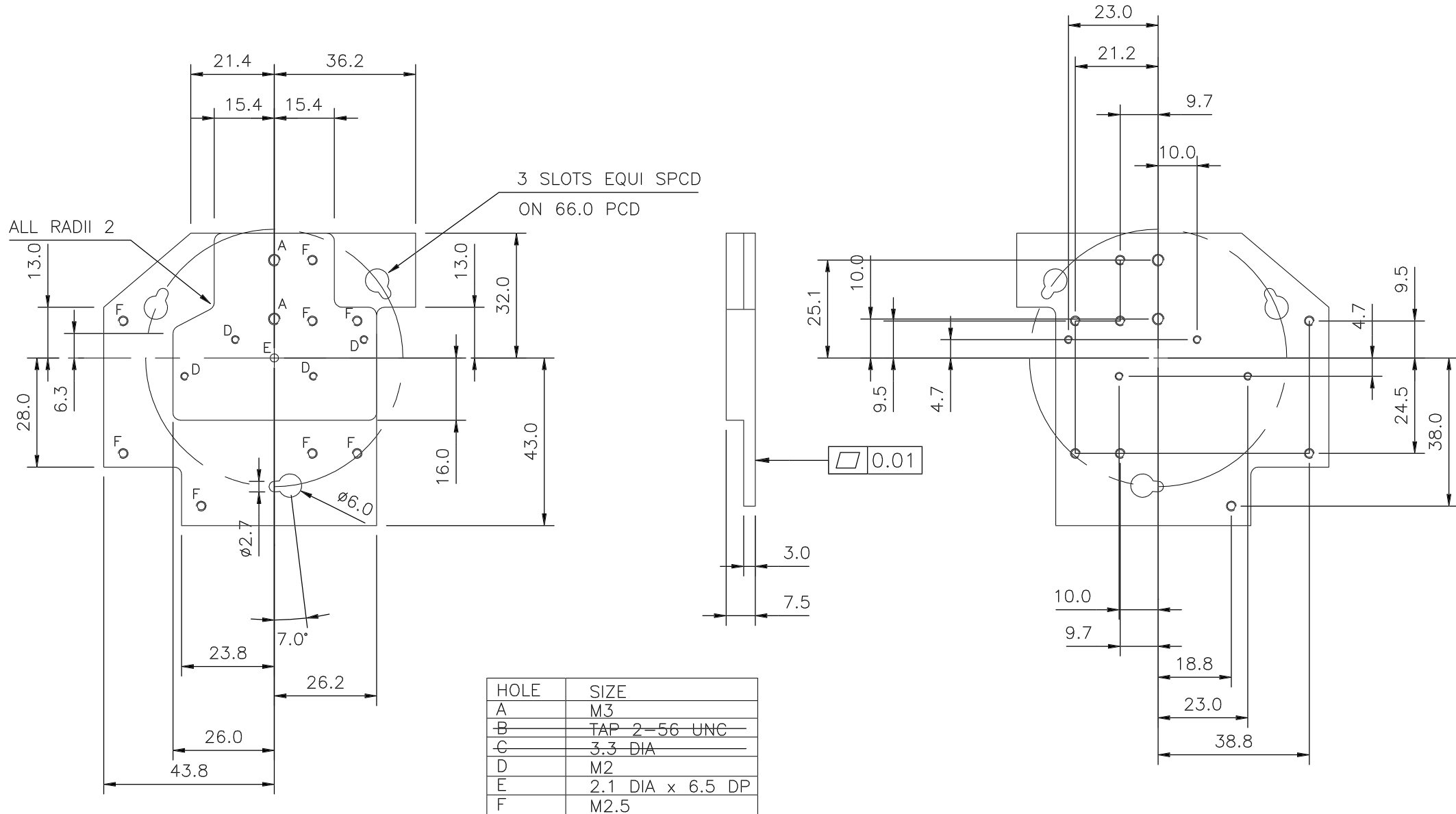


SECTION ON X-X

			TOLERANCES (UNLESS OTHERWISE STATED)	MATERIAL	THIRD ANGLE PROJECTION	DIMS IN mm	ORIGINAL SCALE 1:1	ORIGINAL SHEET SIZE A3	G.A. NO.		
			X ±	AL ALLOY		ROYAL GREENWICH OBSERVATORY		TITLE			
1	17/11/95	PDJ	X.X ± 0.2	FINISH	No. REQ'D	MADINGLEY ROAD		RADIATION SHIELD			
ISSUE	DATE	DRAWN	X.XX ±	CLEAN		CAMBRIDGE CB3 0EZ		EEV PROTO CCD UNIT 4210			
			ANG. ±					DRG NO.	RA/506	SHT. 1	LOC'N RA

DRG NO.
RA/505

DO NOT SCALE
REMOVE ALL SHARP EDGES

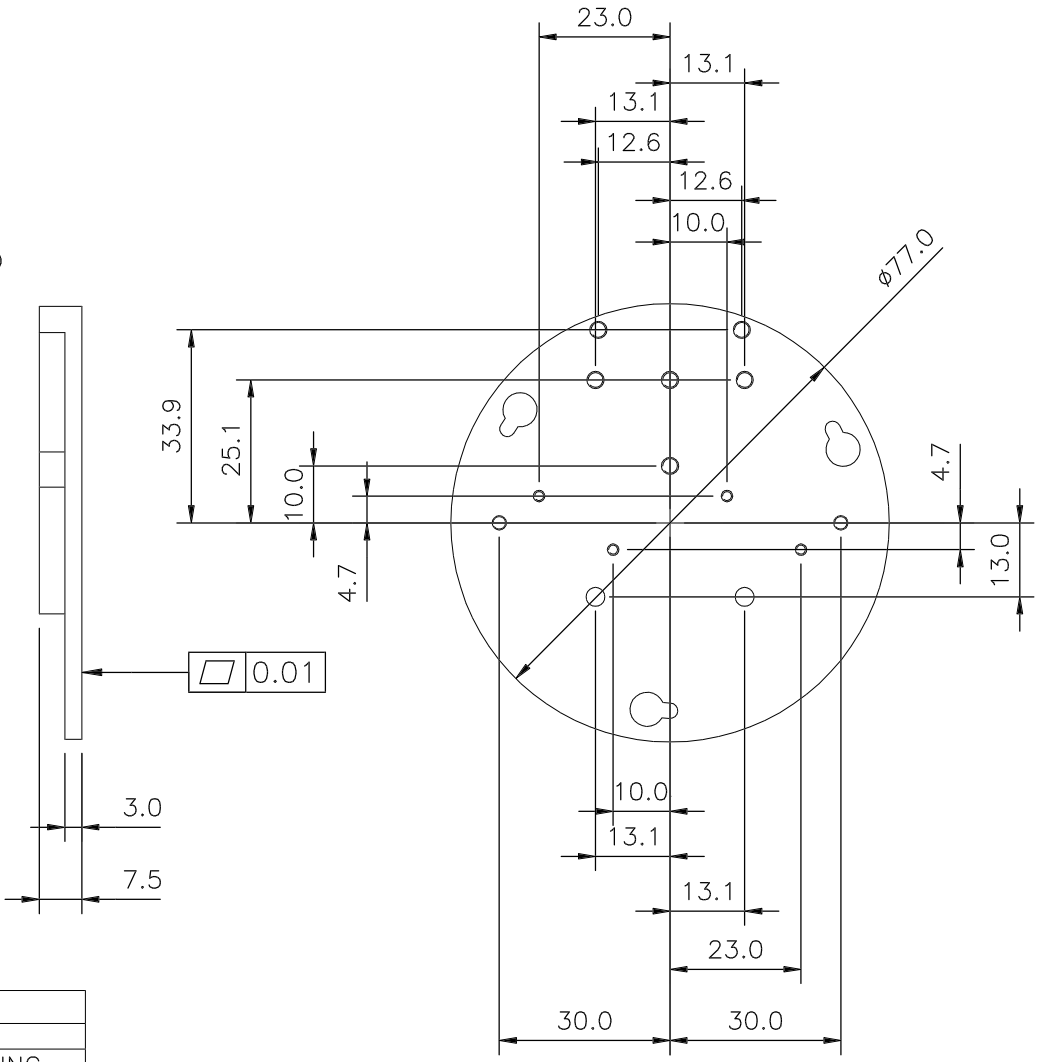
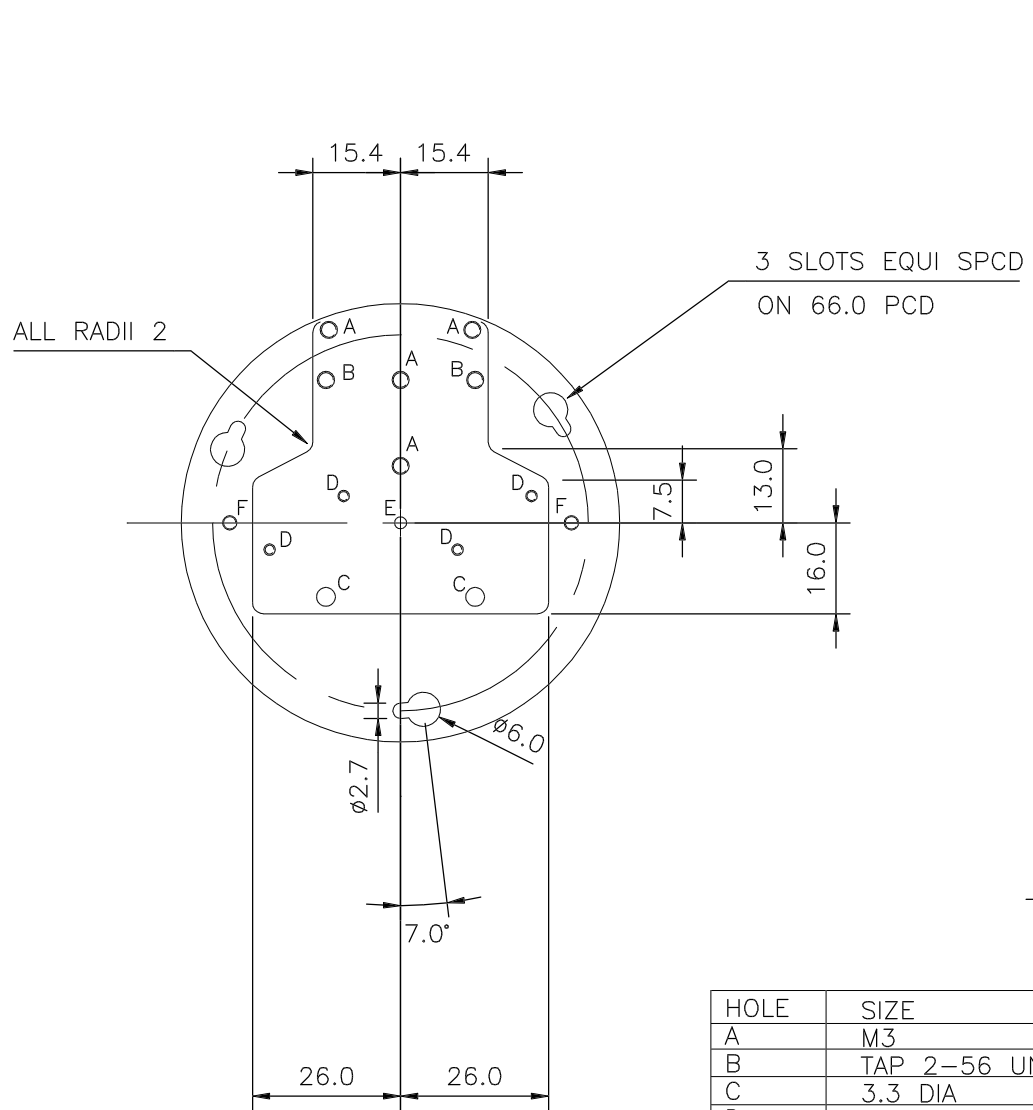


HOLE	SIZE
A	M3
B	TAP 2-56 UNC
C	3.3 DIA
D	M2
E	2.1 DIA x 6.5 DP
F	M2.5

			TOLERANCES (UNLESS OTHERWISE STATED)	MATERIAL	THIRD ANGLE PROJECTION	DIMS IN mm	ORIGINAL SCALE 1:1	ORIGINAL SHEET SIZE A3	G.A. NO.	
			X ±	INVAR		ROYAL GREENWICH OBSERVATORY		TITLE		
1	07/11/95	PDJ	X.X ± 0.1	FINISH	No. REQ'D	MADINGLEY ROAD		INVAR COLD BLOCK		
ISSUE	DATE	DRAWN	X.XX ±	POLISH		CAMBRIDGE CB3 0EZ		EEV PROTO CCD UNIT 4210		
			ANG. ±			DRG NO.	RA/505	SHT.	1	LOC'N RA

DRG NO.
RA/504

DO NOT SCALE
REMOVE ALL SHARP EDGES

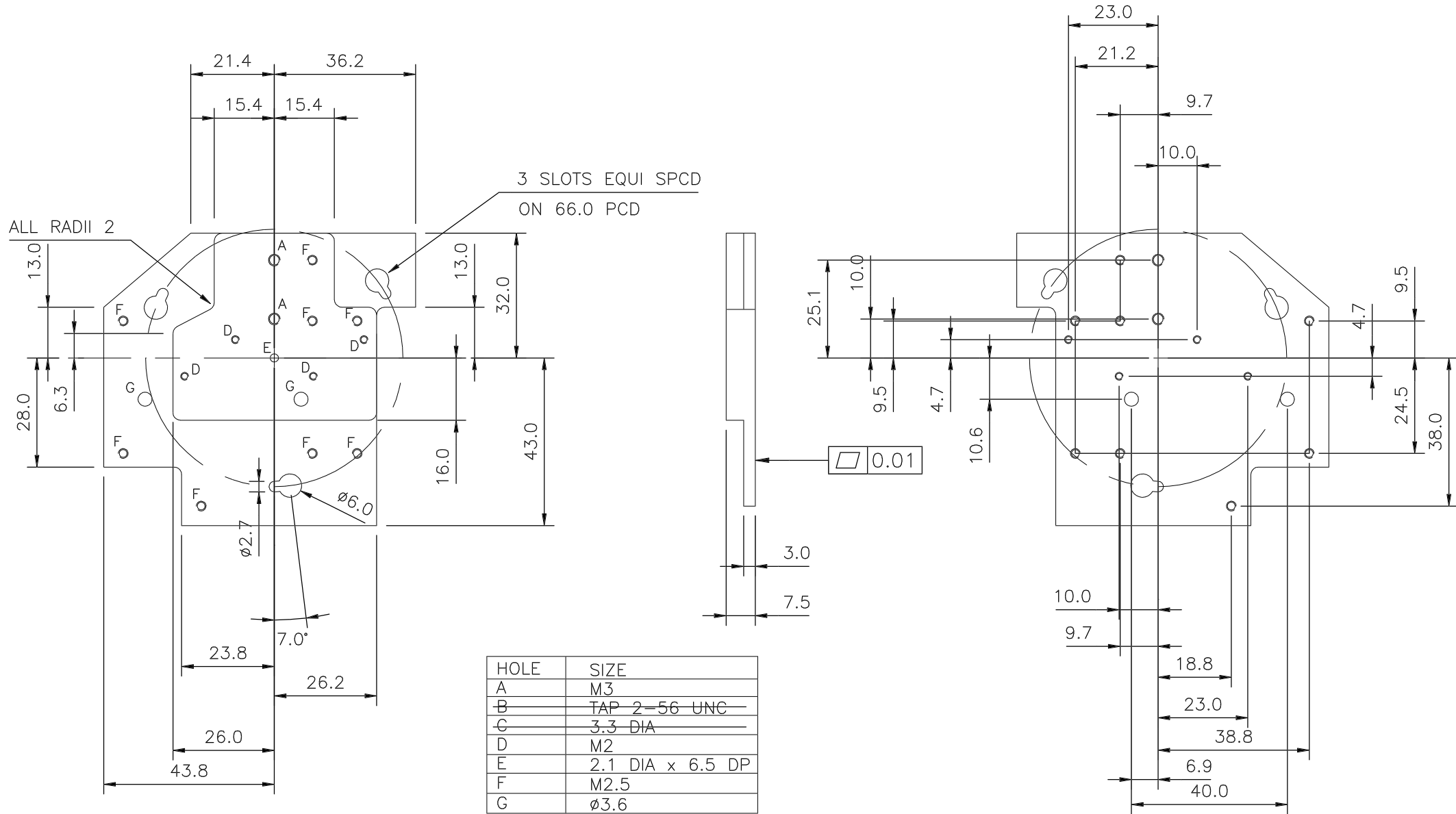


HOLE	SIZE
A	M3
B	TAP 2-56 UNC
C	3.3 DIA
D	M2
E	2.1 DIA x 6.5 DP
F	M2.5

			TOLERANCES (UNLESS OTHERWISE STATED)	MATERIAL	THIRD ANGLE PROJECTION	DIMS IN mm	ORIGINAL SCALE	ORIGINAL SHEET SIZE A3	G.A. NO. RA/000	
			X ±	INVAR		ROYAL GREENWICH OBSERVATORY		TITLE INVAR COLD BLOCK		
1	18/07/95	PDJ	X.X ± 0.1	FINISH	No. REQ'D	MADINGLEY ROAD		LORAL 2K CCD UNIT		
ISSUE	DATE	DRAWN	X.XX ±	POLISH		CAMBRIDGE CB3 0EZ		DRG NO. RA/504	SHT. 1	LOC'N RA
			ANG. ±							

DRG NO.
RA/505

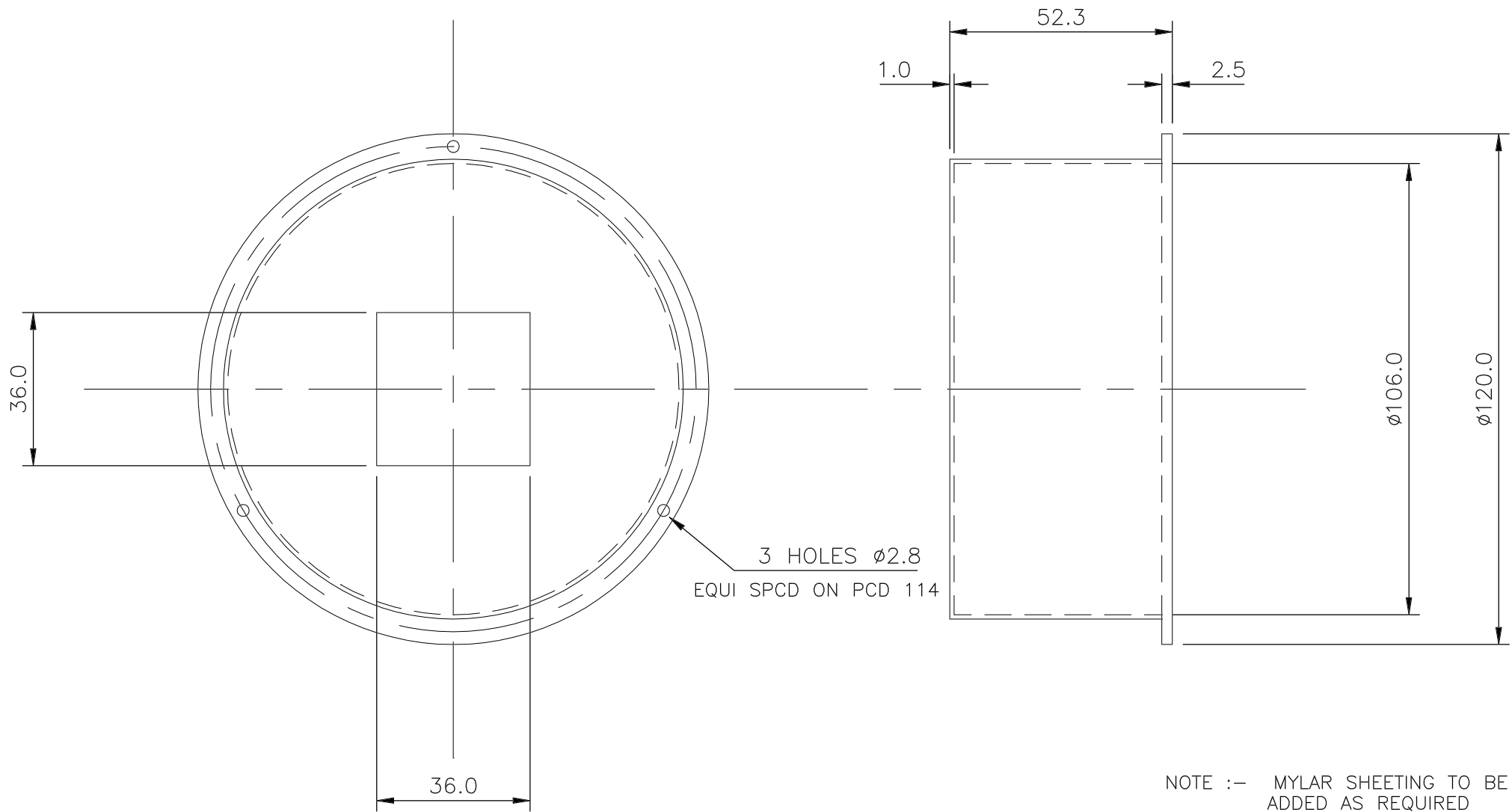
DO NOT SCALE
REMOVE ALL SHARP EDGES



			TOLERANCES (UNLESS OTHERWISE STATED)	MATERIAL	THIRD ANGLE PROJECTION	DIMS IN mm	ORIGINAL SCALE 1:1	ORIGINAL SHEET SIZE A3	G.A. NO.	
			X ±	INVAR		ROYAL GREENWICH OBSERVATORY TITLE				
2	02/04/96	PDJ	X.X ± 0.1	FINISH	No. REQ'D	MADINGLEY ROAD				
ISSUE	DATE	DRAWN	X.XX ±	POLISH		CAMBRIDGE CB3 0EZ				
			ANG. ±			DRG NO. RA/505			SHT. 1	LOC'N RA
						INVAR COLD BLOCK EEV PROTO CCD UNIT 4210				

DRG NO.
RA/502

DO NOT SCALE



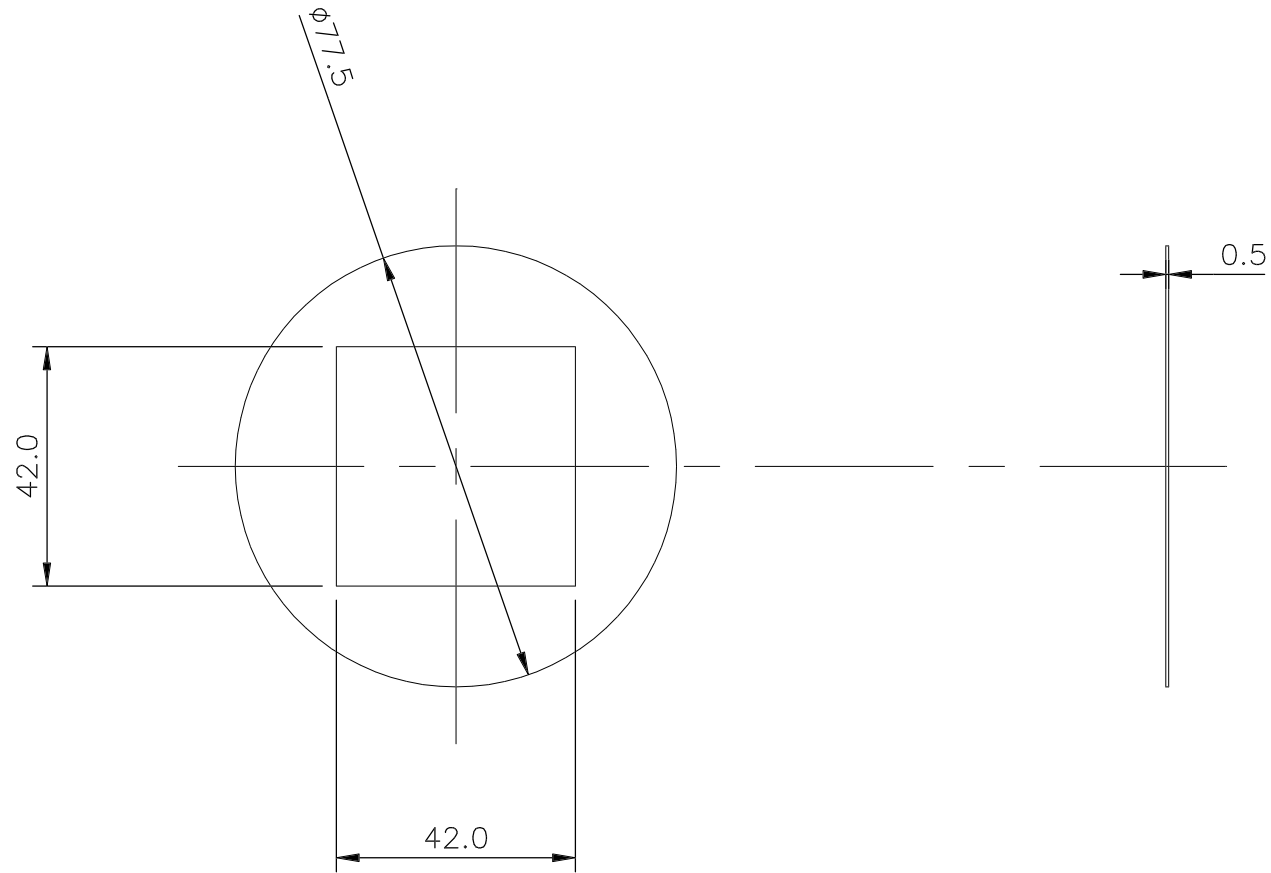
3 HOLES $\phi 2.8$
EQUI SPCD ON PCD 114

NOTE :- MYLAR SHEETING TO BE
ADDED AS REQUIRED

			TOLERANCES (UNLESS OTHERWISE STATED)	MATERIAL	THIRD ANGLE PROJECTION	DIMS IN mm	ORIGINAL SCALE 1:1	ORIGINAL SHEET SIZE A3	G.A. NO.	RA/000
			X ± 0.5	HP30 ALLOY		ROYAL GREENWICH OBSERVATORY		TITLE		
13/07/95	PDJ		X.X ± 0.25	FINISH	No. REQ'D	MADINGLEY ROAD		RADIATION SHIELD		
			X.XX ± 0.1	CLEAN	1	CAMBRIDGE CB3 0EZ		LORAL 2K CCD CHIP		
ISSUE	DATE	DRAWN	ANG. \pm			DRG NO.	RA/502	SHT.	1	LOC'N RA

DRG NO.
RA/501

DO NOT SCALE



			TOLERANCES (UNLESS OTHERWISE STATED)	MATERIAL	THIRD ANGLE PROJECTION	DIMS IN mm	ORIGINAL SCALE 1:1	ORIGINAL SHEET SIZE A3	G.A. NO.	RA/000
			X ± 0.2	Be.Cu.		ROYAL GREENWICH OBSERVATORY		TITLE		
	13/07/95	PDJ	X.X ± 0.1	FINISH	No. REQ'D	MADINGLEY ROAD		RETAINER		
			X.XX ± 0.05	CLEAN	1	CAMBRIDGE CB3 0EZ		LORAL 2K CCD UNIT		
ISSUE	DATE	DRAWN	ANG. ±			DRG NO.	RA/501	SHT.	1	LOC'N RA