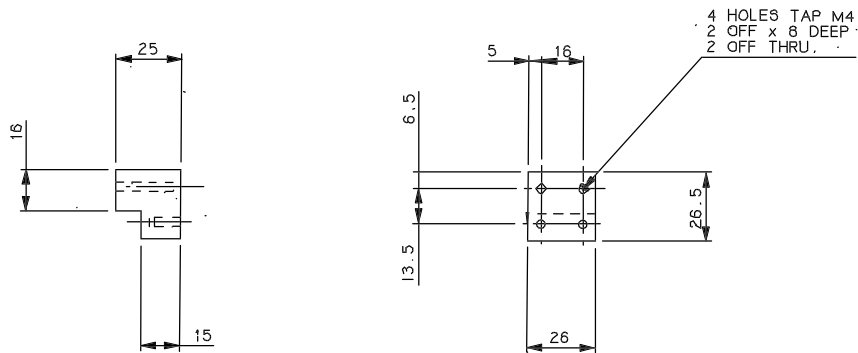
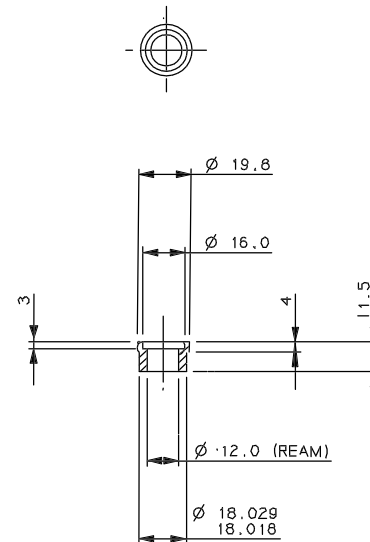


REMOVE ALL SHARP EDGES



3		TITLE	DISC REF.
BLOCK			
MATERIAL	SCALE	TOLERANCES ±	
AL. ALLOY	1:1	0.1	
FINISH	No. REQ. PER UNIT		
BLK. ANODISE	3 OFF		
S.A. No.	DRAWING No.		
W/GE/300	RG0 W/GE/303		

REMOVE ALL SHARP EDGES

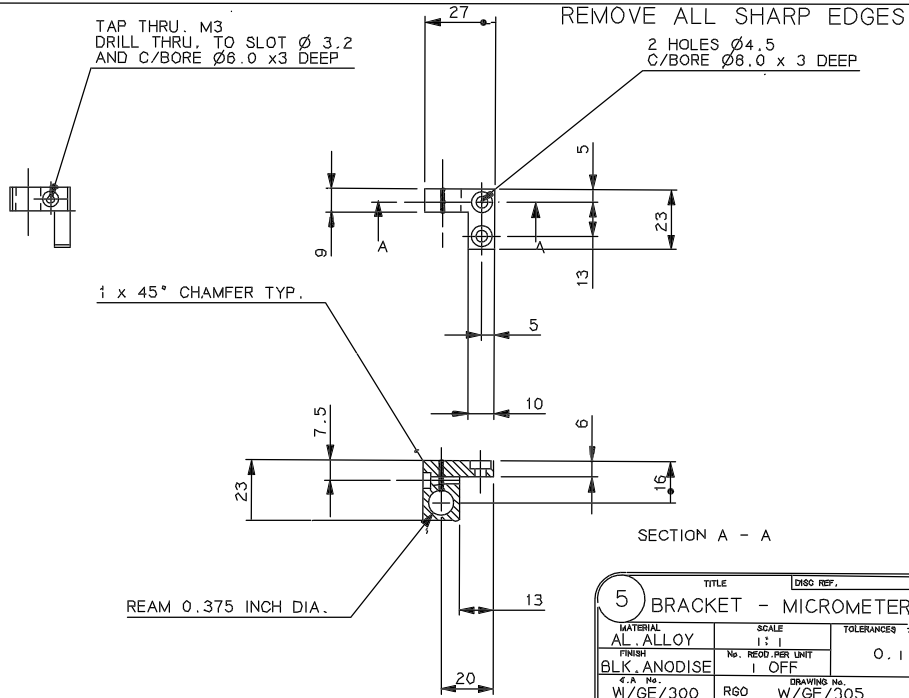


4		TITLE	DISC REF.
INSULATOR			
MATERIAL	SCALE	TOLERANCES ±	
6F/45 TUFNOL	1:1	0.1	
FINISH	No. REQ. PER UNIT		
CLEAN	3 OFF		
S.A. No.	DRAWING No.		
W/GE/300	RG0 W/GE/304		

TAP THRU. M3
DRILL THRU. TO SLOT Ø 3.2
AND C/BORE Ø6.0 x 3 DEEP

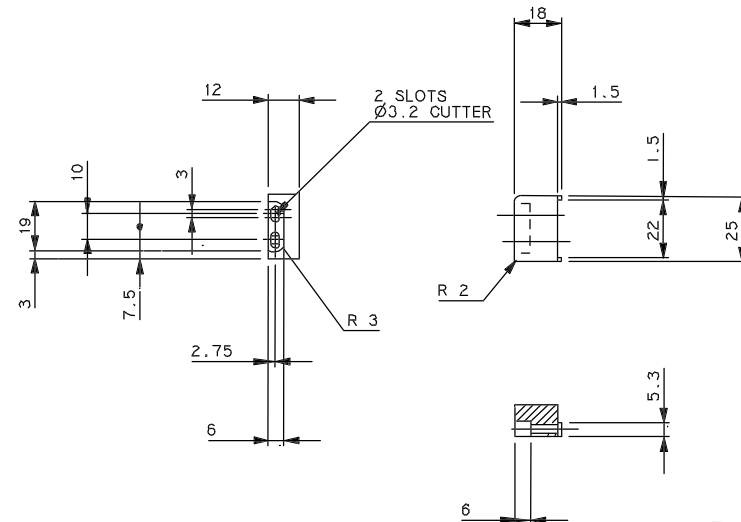
REMOVE ALL SHARP EDGES

2 HOLES Ø4.5
C/BORE Ø6.0 x 3 DEEP



5		TITLE	DISC REF.
BRACKET - MICROMETER			
MATERIAL	SCALE	TOLERANCES ±	
AL. ALLOY	1:1	0.1	
FINISH	No. REQ. PER UNIT		
BLK. ANODISE	1 OFF		
S.A. No.	DRAWING No.		
W/GE/300	RG0 W/GE/305		

REMOVE ALL SHARP EDGES



6		TITLE	DISC REF.
BLOCK - RADIAL ADJUSTMENT			
MATERIAL	SCALE	TOLERANCES ±	
AL. ALLOY	1:1	0.1	
FINISH	No. REQ. PER UNIT		
BLK. ANODISE	1 OFF		
S.A. No.	DRAWING No.		
W/GE/300	RG0 W/GE/306		

Issue	Mod.No	Date	Drawn by	Issue	Mod.No	Date	Drawn by

Tolerance (unless otherwise stated)
X +/-
X.X +/-
X.XX +/-

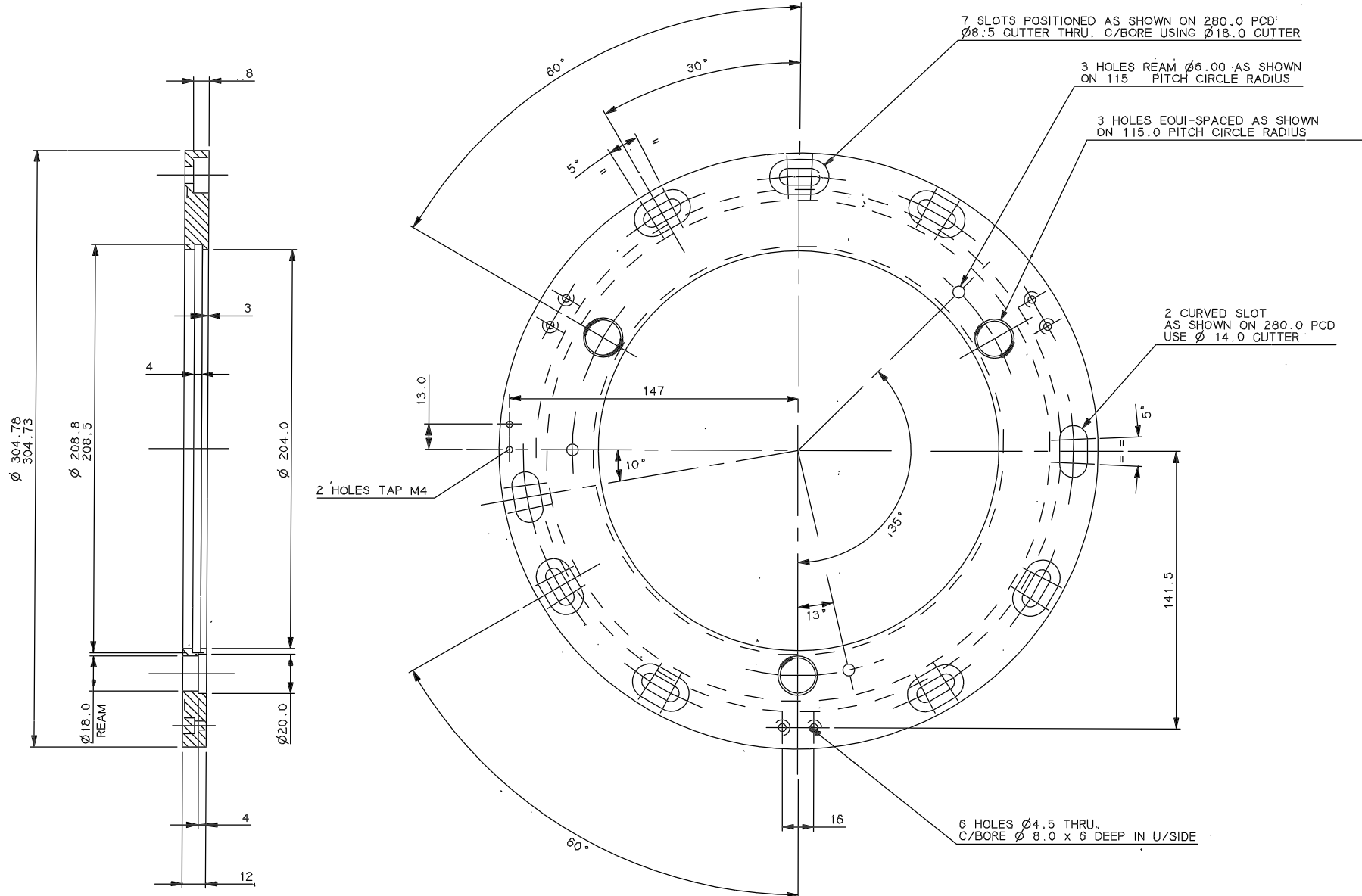
Material	Finish	Dimns. in m.m.	Scale

ROYAL GREENWICH OBSERVATORY
HERSTMONGEUX CASTLE
HAILSHAM SUSSEX

THIRD ANGLE PROJECTION
4.2m ISIS - DETAILS
CCD MOUNTING FLANGE ASSEMBLY

GA No.	Drawing No.
	W/GE/303-6

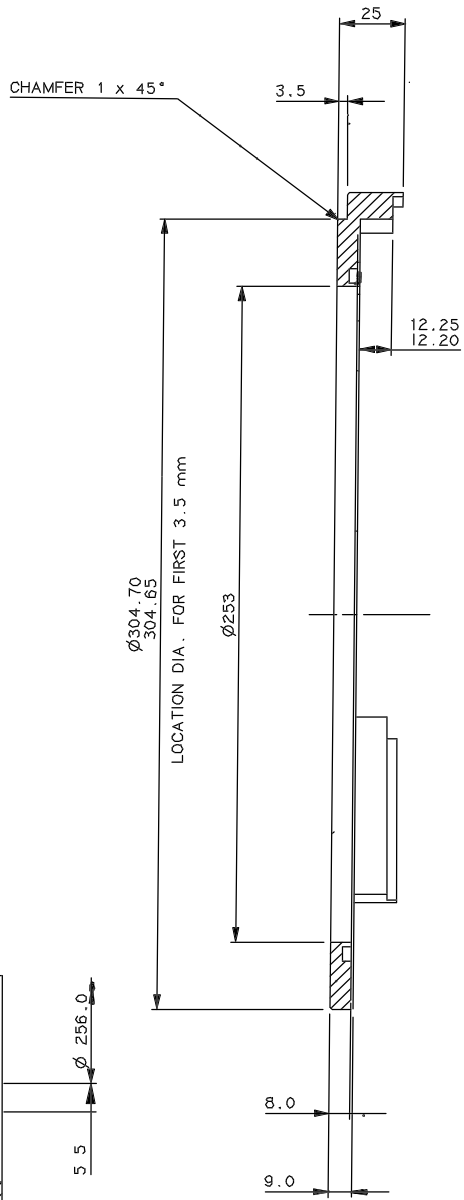
REMOVE ALL SHARP EDGES



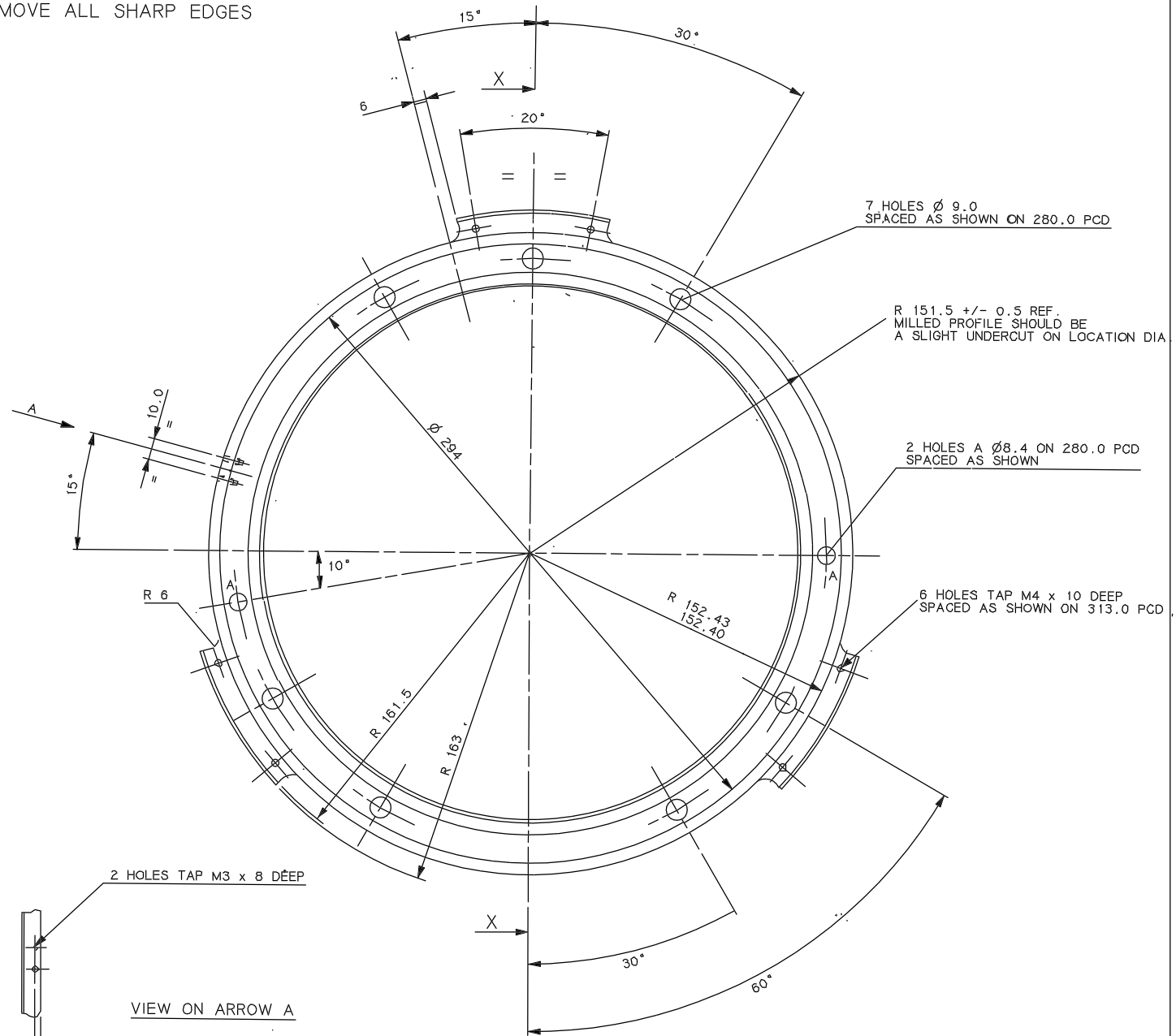
GROOVE DETAIL
SCALE 2:1

Issue				Date				Tolerance (Unless otherwise stated)		Material		Dimns. In m.m.		Scale		THIRD ANGLE PROJECTION		6A No. W/GE/300	
								+/- 0, 1		HF30TF		1 OFF		1:1				Drawing No.	
JAN, 89				AJW						Finish		No. Req.		ROYAL GREENWICH OBSERVATORY		Title		W/GE/302	
										BLK, ANODISE		Used on		HERSTMONCEUX CASTLE		4.2m ISIS - CCD MOUNTING FLANGE			
														HAILSHAM		SUSSEX			

REMOVE ALL SHARP EDGES



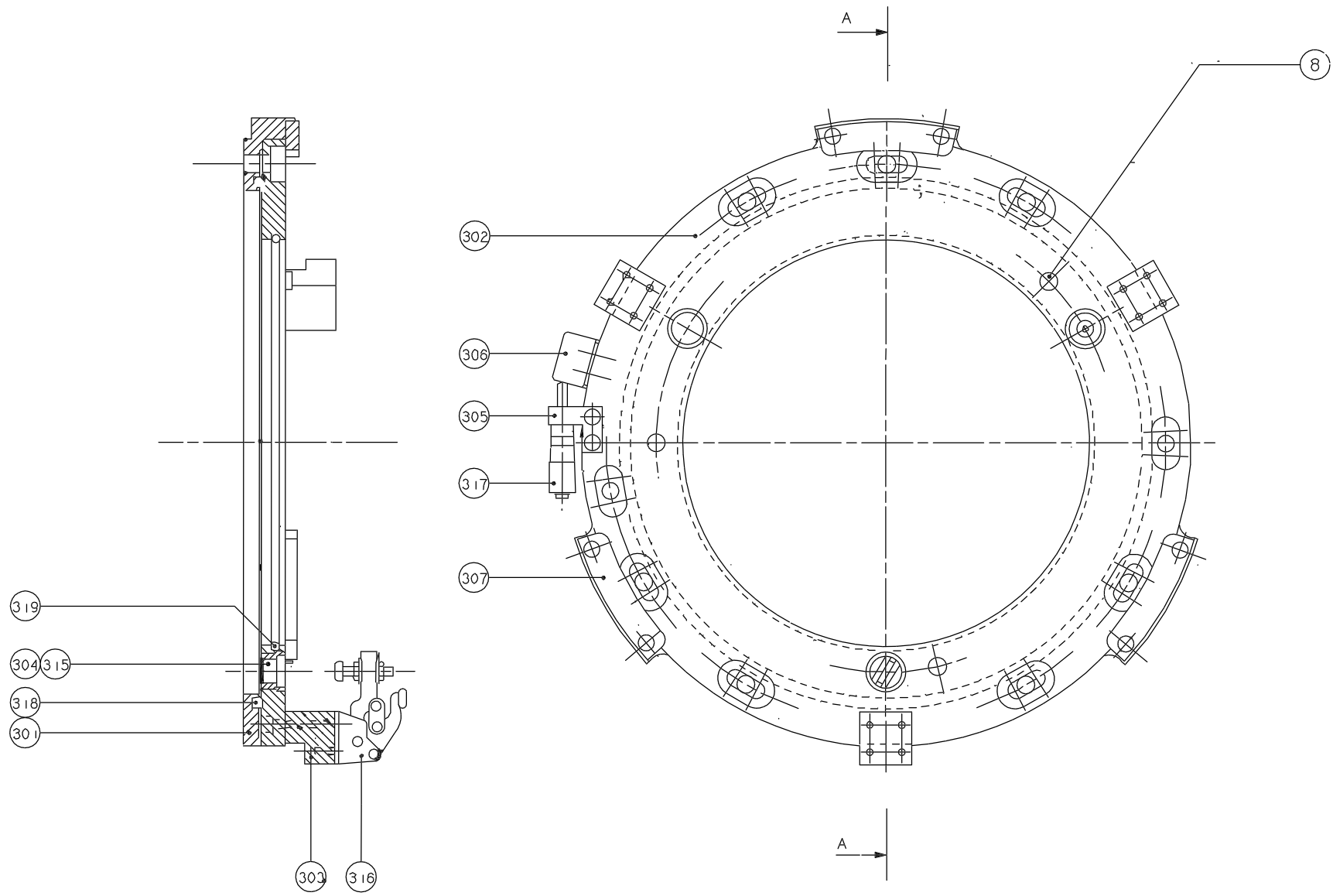
SECTION X - X



VIEW ON ARROW A

DETAIL 'O' RING GROOVE
SCALE 2:1

				Tolerance (Unless otherwise stated)		Material		Dimns. in m.m.		Scale 1:1		THIRD ANGLE PROJECTION		SA No. W/GE/300	
				X +/- 0.5		CAST AL		ROYAL GREENWICH OBSERVATORY		Title		4.2m ISIS - CCD SPACER RING		Drawing No.	
				X.X +/- 0.1		TOOLING PLATE		HERSTMENCEUX CASTLE		Used on		HAILSHAM SUSSEX		W/GE/301	
				X.XX +/- 0.1		BLK. ANODISE									
Issue	Mod.No	Date	Drawn by	Issue	Mod.No	Date	Drawn by								
						JAN.89	AJW								



SECTION A - A

				Tolerance (Unless otherwise stated)		Material		Dimns. in m.m.		Scale 1:1		THIRD ANGLE PROJECTION		GA No.	
				X +/-		Finish		ROYAL GREENWICH OBSERVATORY		Title		4.2m ISIS		Drawing No.	
				X.X +/-		Used on		HERSTMONGUEUX CASTLE		Used on		CCD MOUNTING FLANGE ASSEMBLY		W/GE/300	
				X.XX +/-				HAILSHAM				SUSSEY			
Issue	Mod. No.	Date	Drawn by	Issue	Mod. No.	Date	Drawn by								
				I		JAN. 89	AJW								