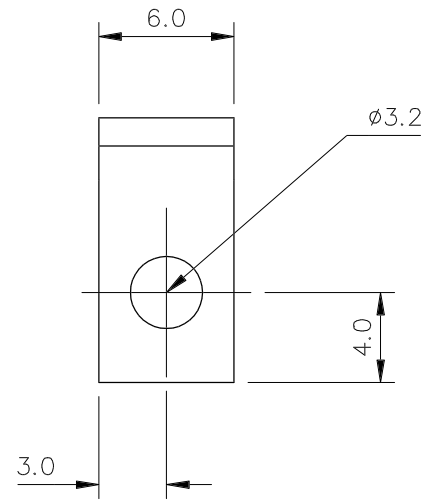
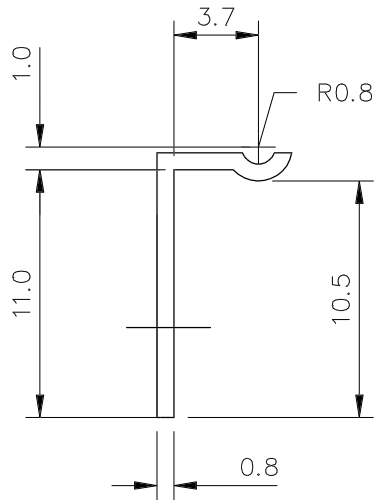
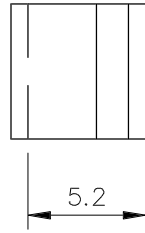
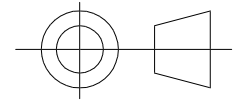


DO NOT SCALE

THIRD ANGLE PROJECTION



DRG. TITLE:		MIRROR CLAMP	
SCALES:	4:1	ASTRONOMICAL INSTRUMENTATION GROUP DURHAM UNIVERSITY, PHYSICS DEPARTMENT SCIENCE LABS, SOUTH ROAD, DURHAM, DL1 3LE TEL. (091) 374 2107 & 2108	
DRG. TYPE:	PARTS	THIS DRAWING IS THE PROPERTY OF THE ASTRONOMICAL INSTRUMENTATION GROUP, DURHAM UNIVERSITY, PHYSICS DEPT. IT MUST NOT BE COPIED OR LENT WITHOUT THE CONSENT OF THE INSTRUMENTATION GROUP	DRG. SIZE
DRAWN BY:	JW		A3
DATE	22/05/91	DRAWING No.	REV.
		SVS-06	A

ALL DIMENSIONS IN MM UNLESS OTHERWISE STATED			
IMPLIED TOLERANCES		Material:	
	X (OVER 100) ±0.20	PH. BRONZE	
	X (UP TO 100) ±0.1	Quantity: 4 OFF	
	X.X ±0.10		
	X.XX ±0.05		
ISSUE	REVISION	DRN	DATE

DO NOT SCALE

THIRD ANGLE PROJECTION

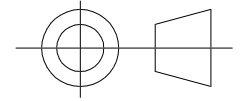
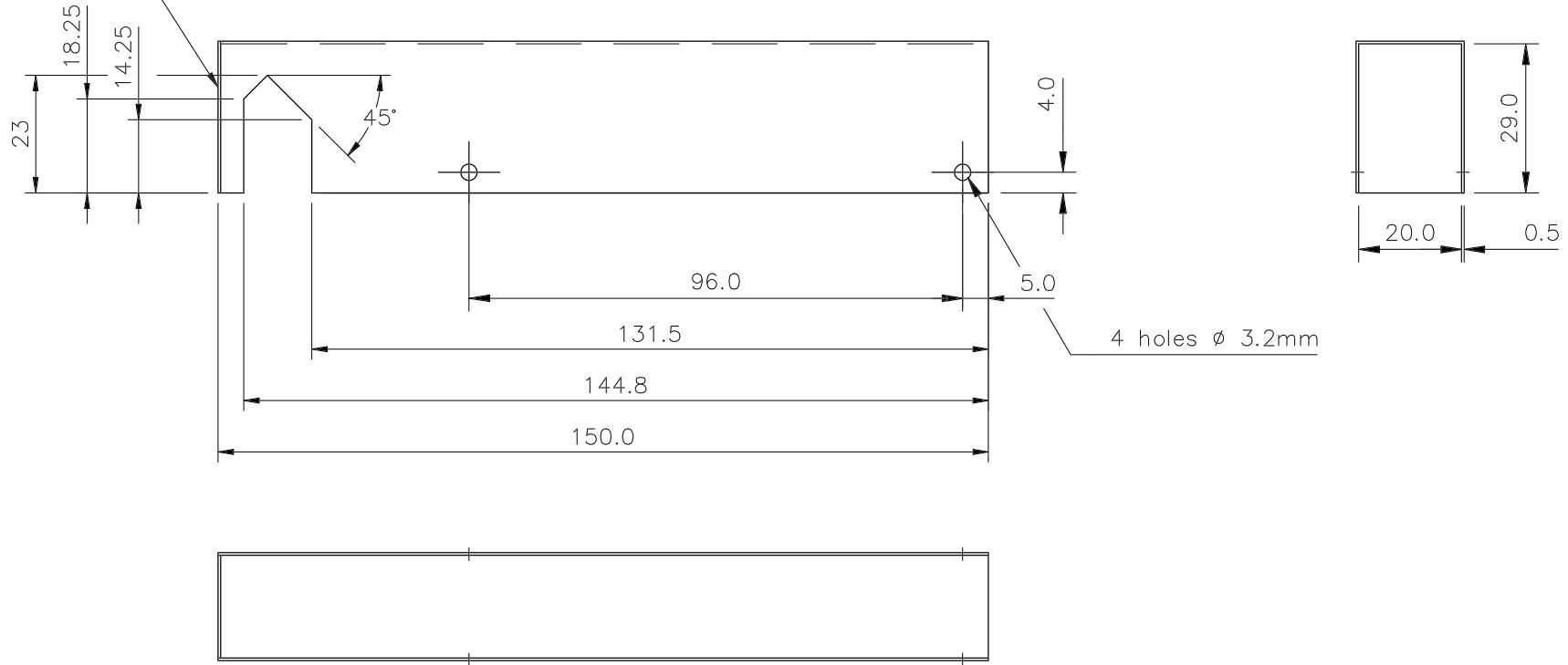


PLATE FOLDED OVER TO FORM END PLATE

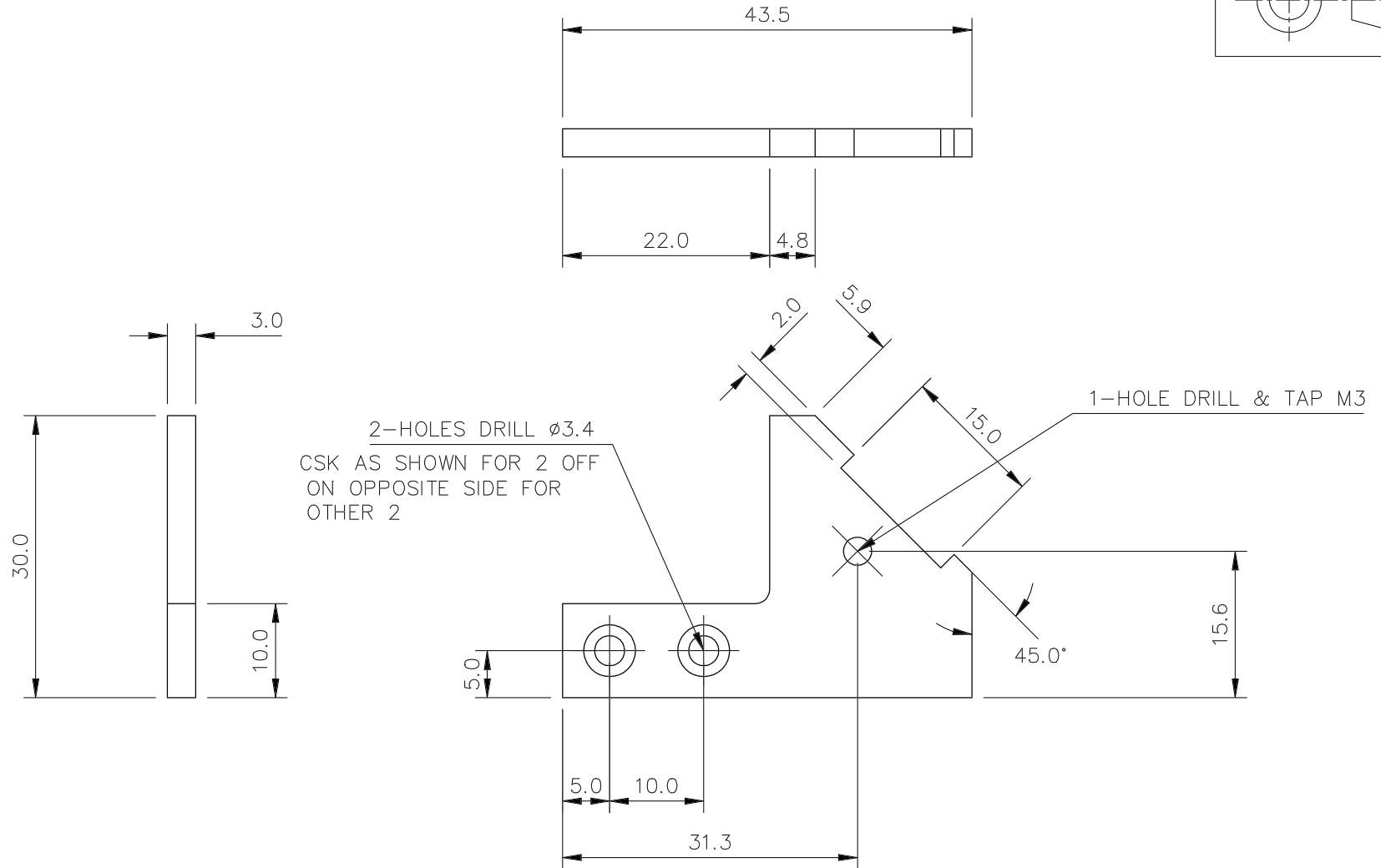
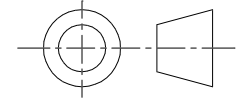


DRG. TITLE:		COVER	
SCALES:	1:1	ASTRONOMICAL INSTRUMENTATION GROUP DURHAM UNIVERSITY, PHYSICS DEPARTMENT SCIENCE LABS, SOUTH ROAD, DURHAM, DL1 3LE TEL. (091) 374 2107 & 2108	
DRG. TYPE:	PARTS	THIS DRAWING IS THE PROPERTY OF THE ASTRONOMICAL INSTRUMENTATION GROUP, DURHAM UNIVERSITY, PHYSICS DEPT. IT MUST NOT BE COPIED OR LENT WITHOUT THE CONSENT OF THE INSTRUMENTATION GROUP	DRG. SIZE
DRAWN BY:	JW		A3
DATE	22/05/91	DRAWING No.	
		SVS-05	
		REV.	B

ALL DIMENSIONS IN MM UNLESS OTHERWISE STATED			
IMPLIED TOLERANCES		Material:	
X (OVER 100) ±0.20		ALUMINIUM	
X (UP TO 100) ±0.1		Quantity: 2 OFF	
X.X ±0.10			
X.XX ±0.05			
B	LENGTH INCREASED TO FORM COVER	GD	16/01/95
ISSUE	REVISION	DRN	DATE

DO NOT SCALE

THIRD ANGLE PROJECTION

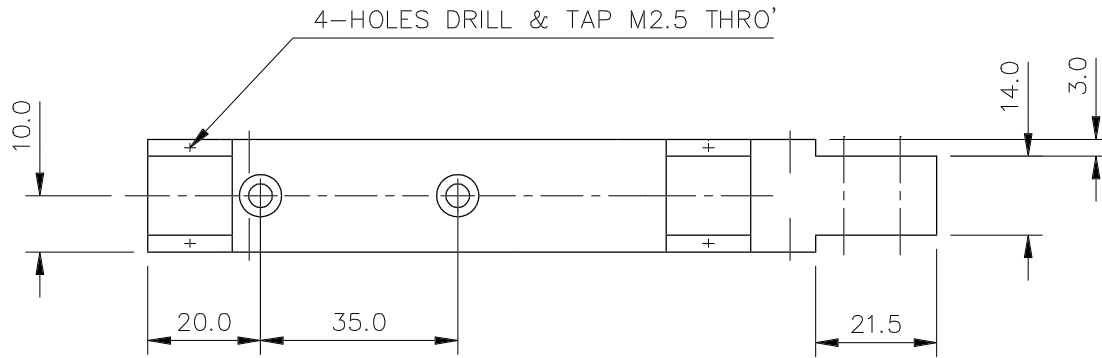
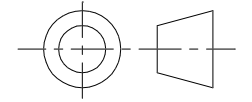


DRG. TITLE:		MIRROR PLATE	
SCALES:		2:1	ASTRONOMICAL INSTRUMENTATION GROUP DURHAM UNIVERSITY, PHYSICS DEPARTMENT SCIENCE LABS, SOUTH ROAD, DURHAM, DL1 3LE TEL. (091) 374 2107 & 2108
DRG. TYPE:		PARTS	THIS DRAWING IS THE PROPERTY OF THE ASTRONOMICAL INSTRUMENTATION GROUP, DURHAM UNIVERSITY, PHYSICS DEPT. IT MUST NOT BE COPIED OR LENT WITHOUT THE CONSENT OF THE INSTRUMENTATION GROUP
DRAWN BY:		JW	
DATE:		22/05/91	DRAWING No. SVS-02
			DRG. SIZE A3
			REV. A

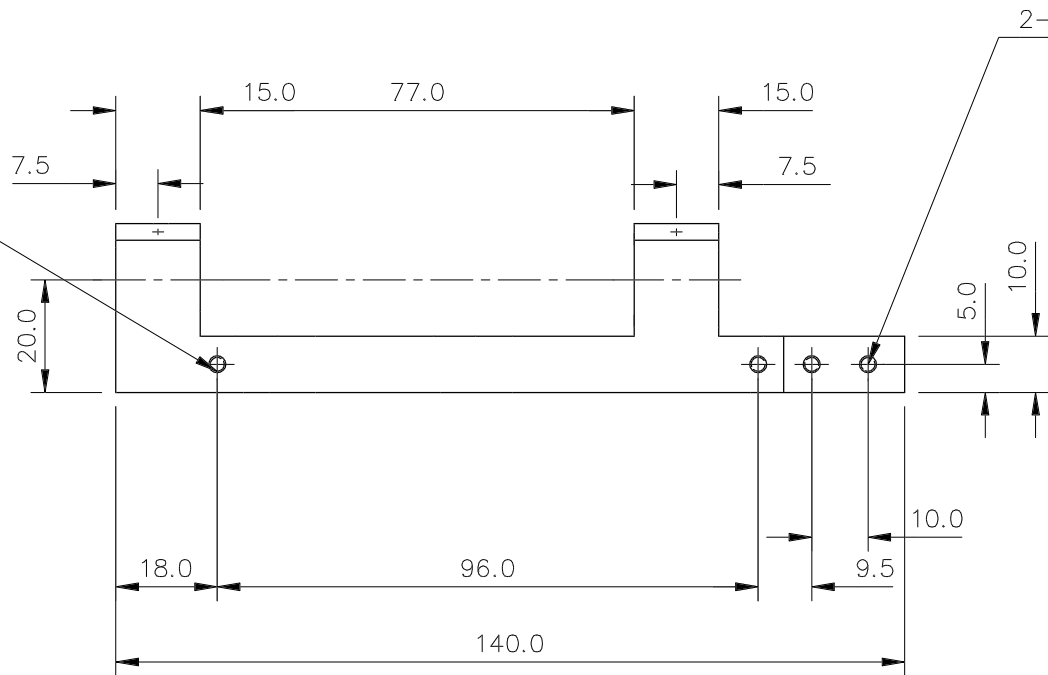
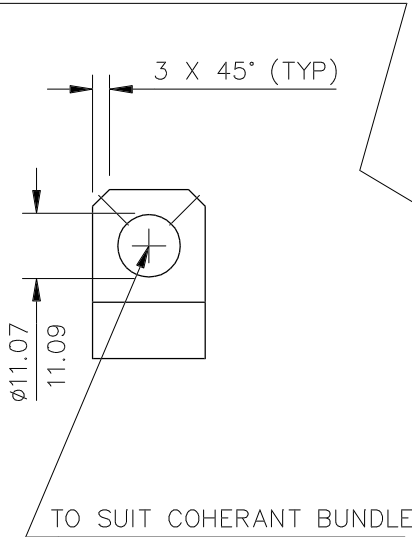
ALL DIMENSIONS IN MM UNLESS OTHERWISE STATED			
IMPLIED TOLERANCES		Material:	
	X (OVER 100) ± 0.20	ALUMINIUM	
	X (UP TO 100) ± 0.1		
	X.X ± 0.10		
	X.XX ± 0.05		
ISSUE	REVISION	DRN	DATE
			Quantity: 4 OFF

DO NOT SCALE

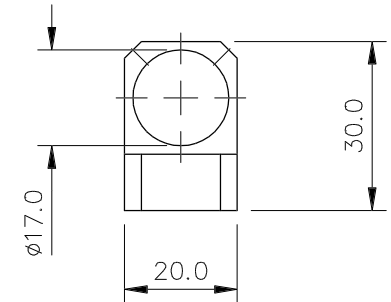
THIRD ANGLE PROJECTION



4-HOLES DRILL & TAP M3 X 6 DP

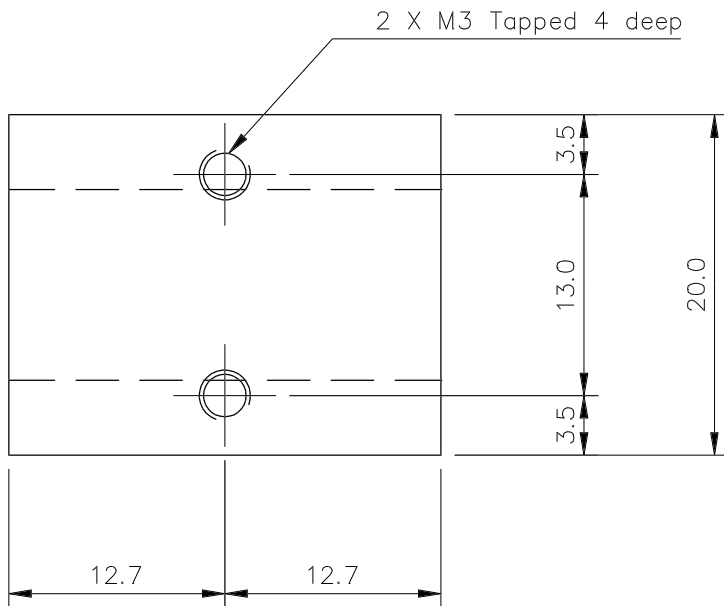
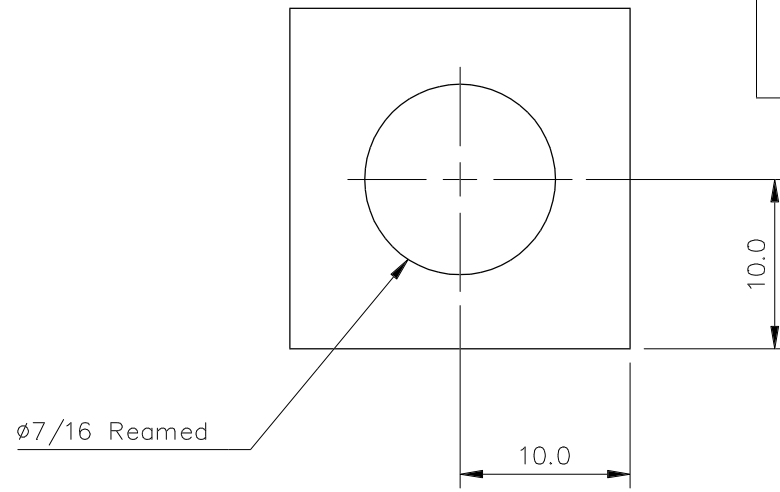
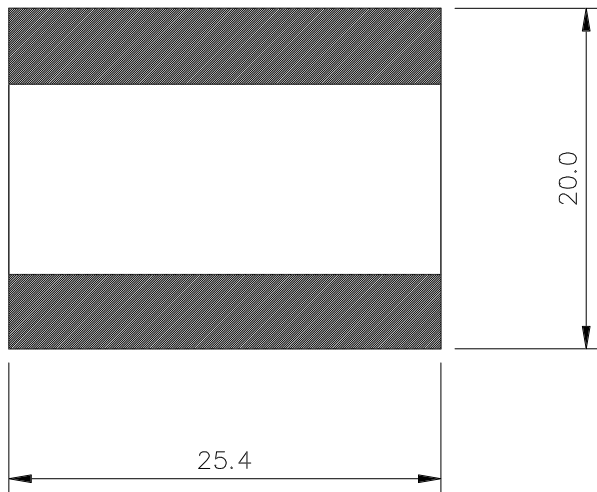


2-HOLES DRILL & TAP M3 THRO'



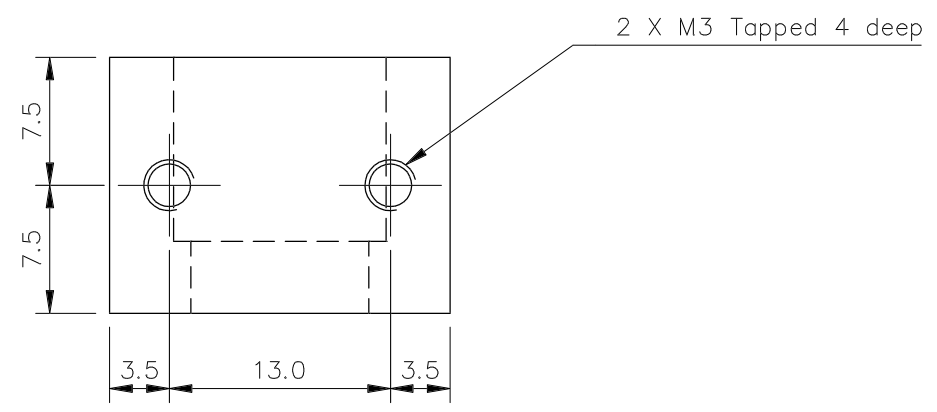
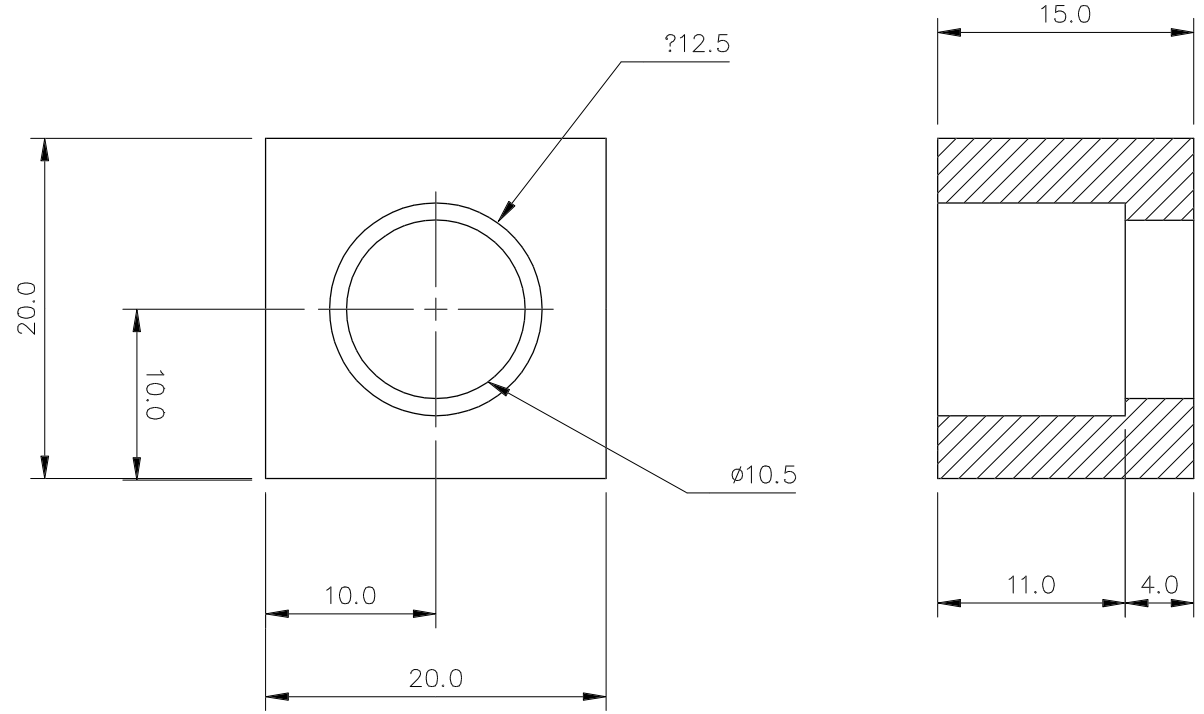
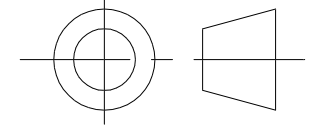
DRG. TITLE:		BASE UNIT	
SCALES:	1:1	ASTRONOMICAL INSTRUMENTATION GROUP DURHAM UNIVERSITY, PHYSICS DEPARTMENT SCIENCE LABS, SOUTH ROAD, DURHAM, DL1 3LE TEL. (091) 374 2107 & 2108	
DRG. TYPE:	PARTS	THIS DRAWING IS THE PROPERTY OF THE ASTRONOMICAL INSTRUMENTATION GROUP, DURHAM UNIVERSITY, PHYSICS DEPT. IT MUST NOT BE COPIED OR LENT WITHOUT THE CONSENT OF THE INSTRUMENTATION GROUP	DRG. SIZE A3
DRAWN BY:	JW		
DATE	20/05/91	DRAWING No.	SVS-01
ISSUE	REVISION	REV.	B

ALL DIMENSIONS IN MM UNLESS OTHERWISE STATED			
IMPLIED TOLERANCES		Material:	
X (OVER 100) ±0.20		ALUMINIUM	
X (UP TO 100) ±0.1		Quantity: 2 OFF	
X.X ±0.10			
X.XX ±0.05			
B	Ø11.07 DIMENSION WAS Ø11.6	GD	6/07/92
ISSUE	REVISION	DRN	DATE



All dimensions in mm unless otherwise stated		TITLE Coherent Bundle Holder	Drawn by: F . B	Astronomical Instrumentation Group Durham University, Physics Dept, Science Labs, South Rd, Durham, DH1 3LE. Tel. (091) 374 2107/8/9/12
Material: Aluminium			Date: 6 /12/90	
Quantity: 1 off			Scale: 3 : 1	
Implied Tolerances X ±0.10 X.X ±0.10 X.XX ±0.025			Drawing # SVS-002	

Third angle projection



All dimensions in mm unless otherwise stated	
Implied Tolerances	Material: Aluminium
X ±0.10	
X.X ±0.10	
X.XX ±0.025	Quantity: 1 off

TITLE
 Lens Holder
 for Sky viewing system

Drawn by:	F . B
Date:	6 /12/90
Drawing #	SVS-001

Astronomical Instrumentation Group
 Durham University, Physics Dept,
 Science Labs, South Rd,
 Durham, DH1 3LE.
 Tel. (091) 374 2107/8/9/12