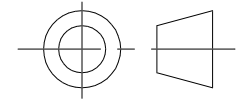
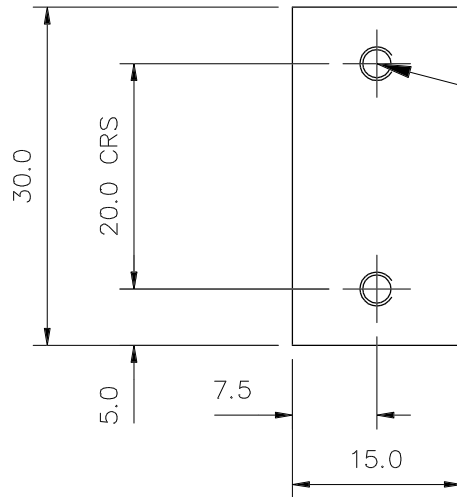
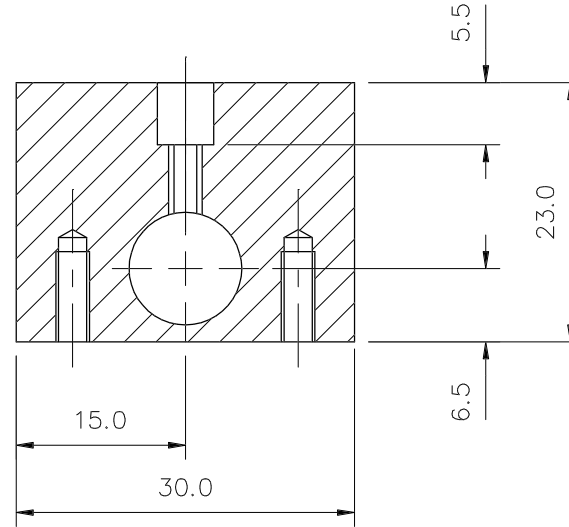
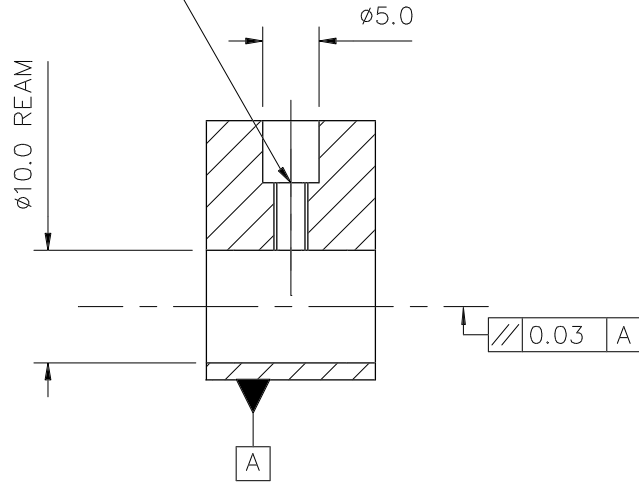


DO NOT SCALE

THIRD ANGLE PROJECTION



1 HOLE(S) DRILL 2.50 THROUGH  
TAP M3.00



2 HOLE(S) DRILL 2.50 10 DEEP  
TAP M3.00 8.0 DEEP

FINISH - MACHINE N7 ALL OVER

DRG. TITLE:		LENS CELL BLOCK	
SCALES:	2:1	ASTRONOMICAL INSTRUMENTATION GROUP DURHAM UNIVERSITY, PHYSICS DEPARTMENT SCIENCE LABS, SOUTH ROAD, DURHAM, DH1 3LE TEL. (091) 374 2107 & 2108	
DRG. TYPE:	PARTS	THIS DRAWING IS THE PROPERTY OF THE ASTRONOMICAL INSTRUMENTATION GROUP, DURHAM UNIVERSITY, PHYSICS DEPT. IT MUST NOT BE COPIED OR LENT WITHOUT THE CONSENT OF THE INSTRUMENTATION GROUP	DRG. SIZE A3
DRAWN BY:	G.D		DRAWING No.
DATE	3/03/92	AF2\FVS-03	REV. A

ALL DIMENSIONS IN MM UNLESS OTHERWISE STATED

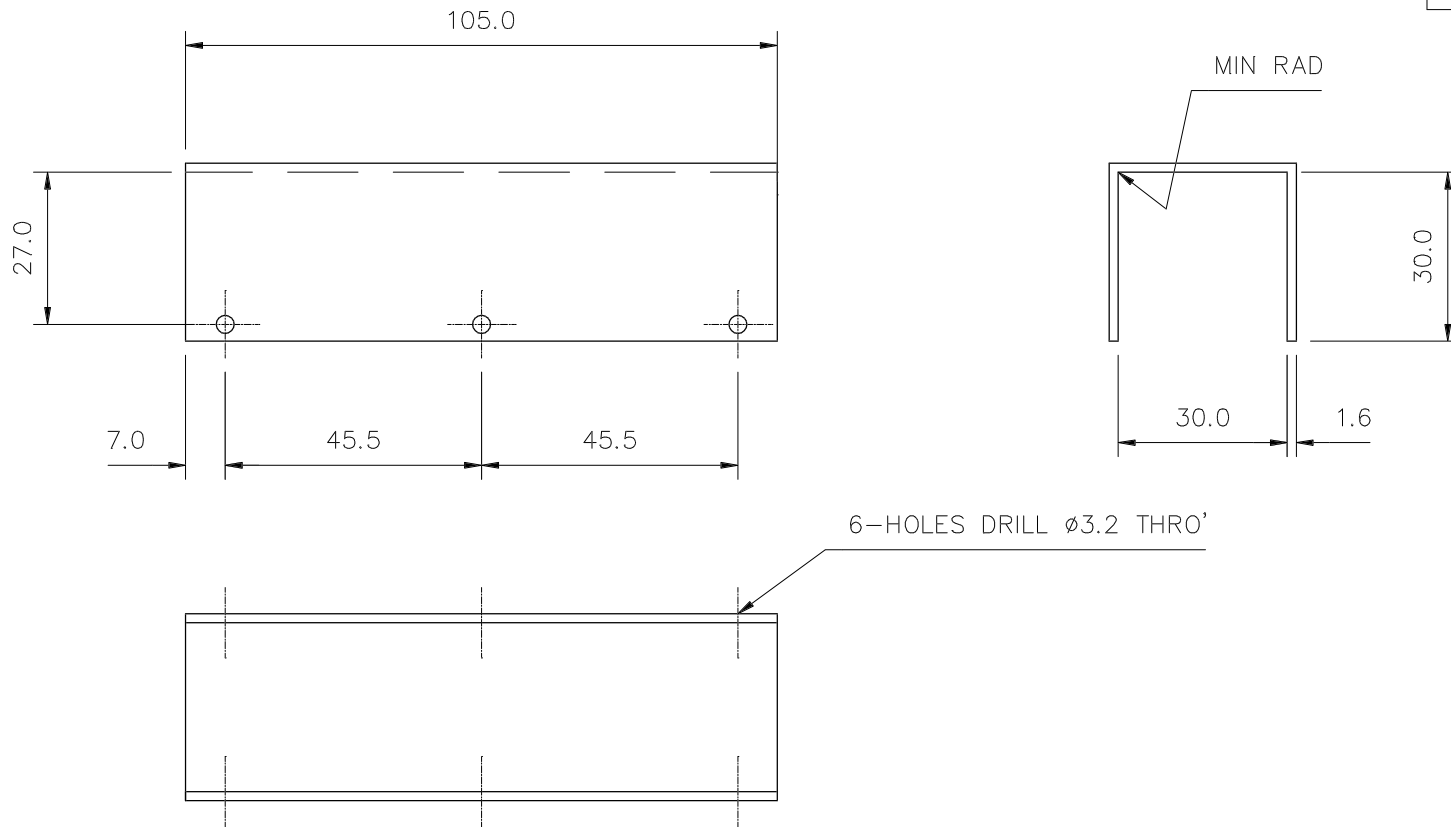
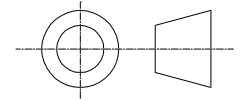
IMPLIED TOLERANCES  
X (OVER 100) ±0.20  
X (UP TO 100) ±0.1  
X.X ±0.10  
X.XX ±0.05

Material:  
**AL ALLOY**  
Quantity: 1 OFF

ISSUE	REVISION	DRN	DATE

DO NOT SCALE

THIRD ANGLE PROJECTION



6-HOLES DRILL  $\phi 3.2$  THRO'

MATERIAL - 16 SWG (1.6 MM) ALUMINIUM ALLOY

DRG. TITLE:		COVER	
SCALES:	1:1	ASTRONOMICAL INSTRUMENTATION GROUP DURHAM UNIVERSITY, PHYSICS DEPARTMENT SCIENCE LABS, SOUTH ROAD, DURHAM, DH1 3LE TEL. (091) 374 2107 & 2108	
DRG. TYPE:	PARTS	THIS DRAWING IS THE PROPERTY OF THE ASTRONOMICAL INSTRUMENTATION GROUP, DURHAM UNIVERSITY, PHYSICS DEPT. IT MUST NOT BE COPIED OR LENT WITHOUT THE CONSENT OF THE INSTRUMENTATION GROUP	DRG. SIZE
DRAWN BY:	G.D		A3
DATE	9/03/92	DRAWING No.	REV.
		AF2\FVS-08	A

ALL DIMENSIONS IN MM UNLESS OTHERWISE STATED

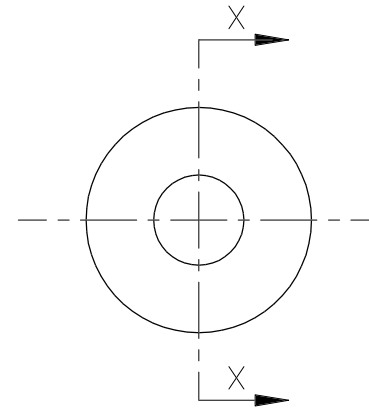
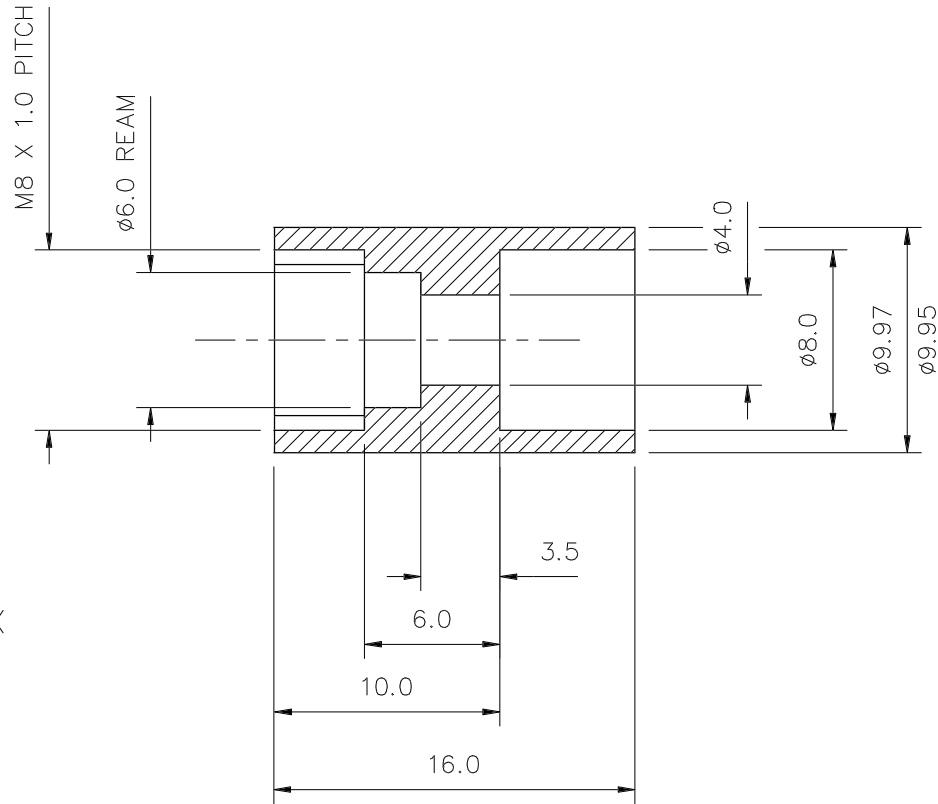
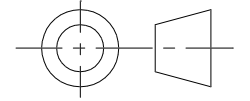
IMPLIED TOLERANCES  
 X (OVER 100)  $\pm 0.20$   
 X (UP TO 100)  $\pm 0.1$   
 X.X  $\pm 0.10$   
 X.XX  $\pm 0.05$

Material:  
**AL ALLOY**  
 Quantity: 1 OFF

ISSUE	REVISION	DRN	DATE

DO NOT SCALE

THIRD ANGLE PROJECTION



SECTION X-X

FINISH - MACHINE N7 ALL OVER

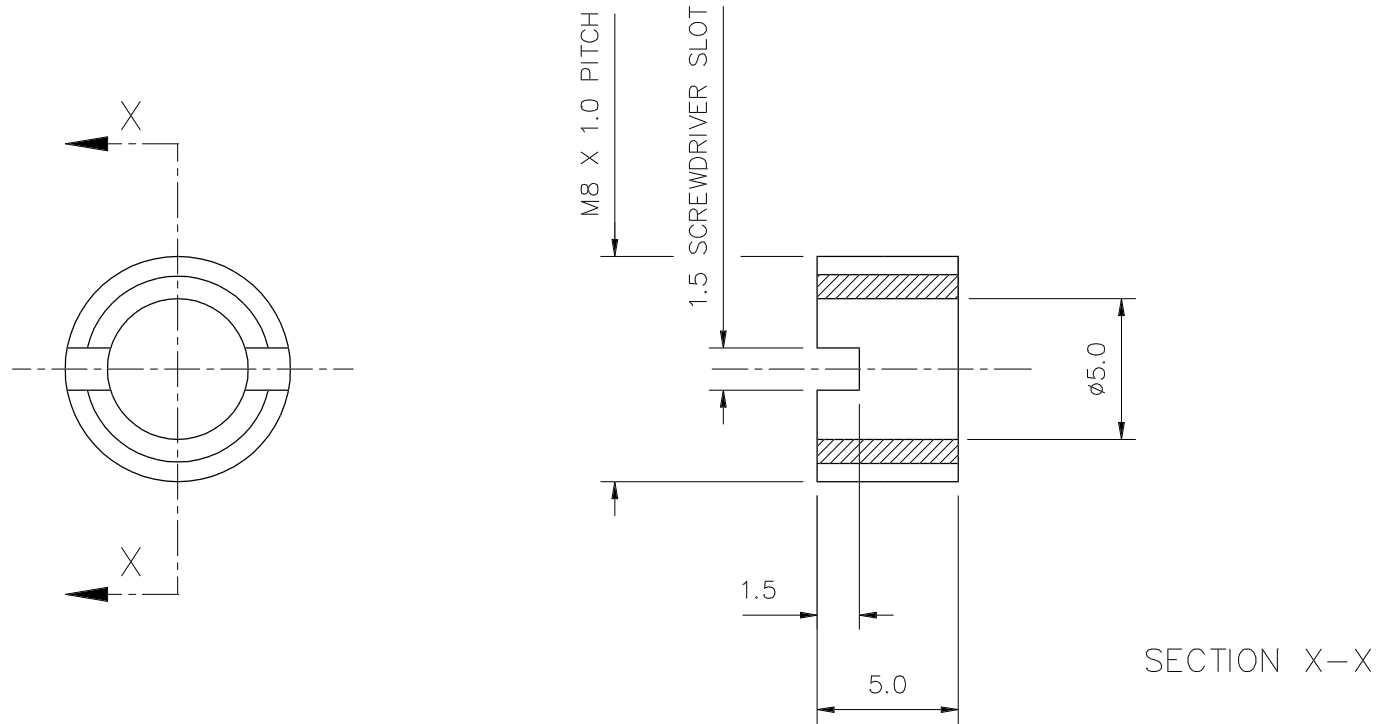
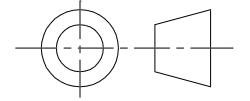
DRG. TITLE:		<b>LENS CELL</b>	
SCALES:	<b>4:1</b>	ASTRONOMICAL INSTRUMENTATION GROUP DURHAM UNIVERSITY, PHYSICS DEPARTMENT SCIENCE LABS, SOUTH ROAD, DURHAM, DH1 3LE TEL. (091) 374 2107 & 2108	
DRG. TYPE:	PARTS	THIS DRAWING IS THE PROPERTY OF THE ASTRONOMICAL INSTRUMENTATION GROUP, DURHAM UNIVERSITY, PHYSICS DEPT. IT MUST NOT BE COPIED OR LENT WITHOUT THE CONSENT OF THE INSTRUMENTATION GROUP	
DRAWN BY:	G.D	DRAWING No.	<b>A3</b>
DATE	6/03/92	AF2\FVS-07	REV. <b>B</b>

ALL DIMENSIONS IN MM UNLESS OTHERWISE STATED			
IMPLIED TOLERANCES			
X (OVER 100) ±0.20			
X (UP TO 100) ±0.1			
X.X ±0.10			
X.XX ±0.05			
Material:		<b>BRASS</b>	
Quantity:		1 OFF	

B	OVERALL LENGTH WAS 10 MM	GD	17/8/94
ISSUE	REVISION	DRN	DATE

DO NOT SCALE

THIRD ANGLE PROJECTION



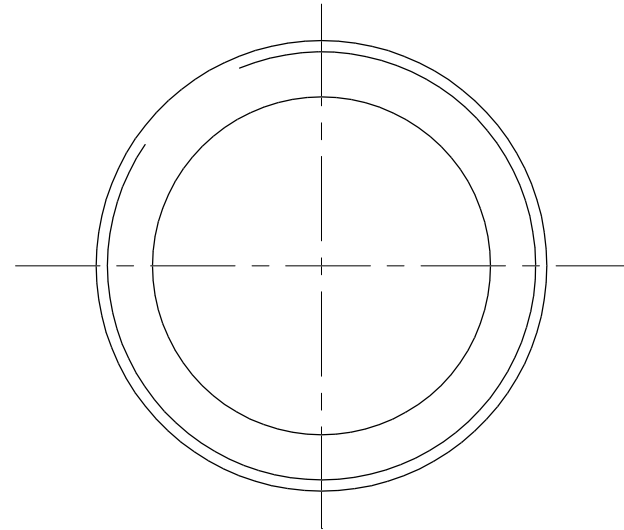
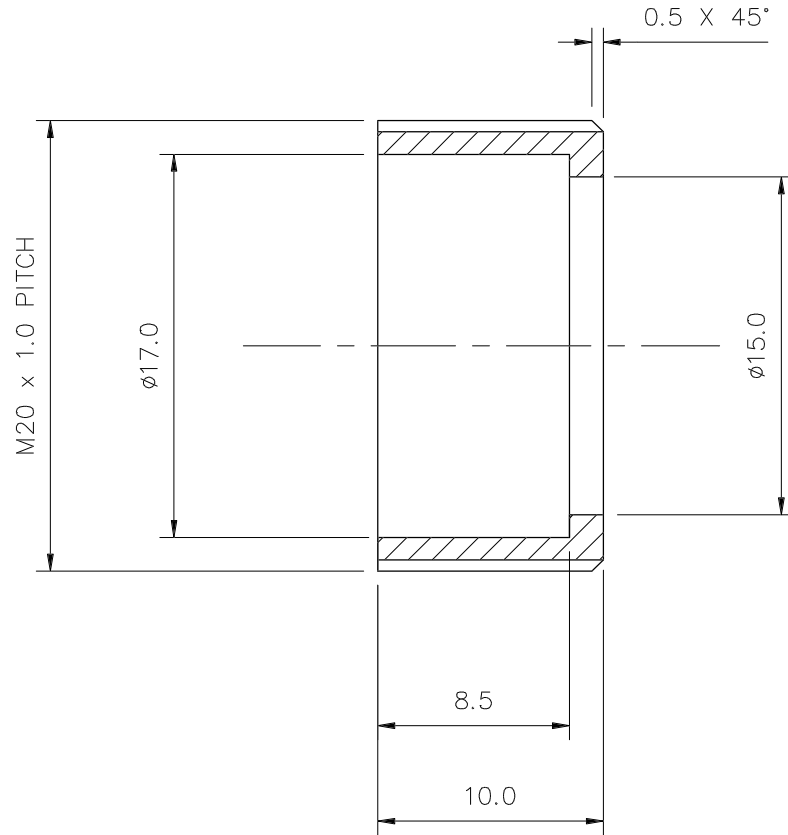
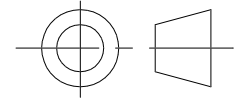
FINISH – MACHINE N7 ALL OVER

DRG. TITLE:		RETAINING RING	
SCALES:	5:1	ASTRONOMICAL INSTRUMENTATION GROUP DURHAM UNIVERSITY, PHYSICS DEPARTMENT SCIENCE LABS, SOUTH ROAD, DURHAM, DH1 3LE TEL. (091) 374 2107 & 2108	
DRG. TYPE:	PARTS	THIS DRAWING IS THE PROPERTY OF THE ASTRONOMICAL INSTRUMENTATION GROUP, DURHAM UNIVERSITY, PHYSICS DEPT. IT MUST NOT BE COPIED OR LENT WITHOUT THE CONSENT OF THE INSTRUMENTATION GROUP	DRG. SIZE
DRAWN BY:	G.D		A3
DATE	5/03/92	DRAWING No.	REV.
		AF2\FVS-06	A

				ALL DIMENSIONS IN MM UNLESS OTHERWISE STATED
				IMPLIED TOLERANCES
				X (OVER 100) ±0.20
				X (UP TO 100) ±0.1
				X.X ±0.10
				X.XX ±0.05
ISSUE	REVISION	DRN	DATE	Material: BRASS
				Quantity: 1 OFF

DO NOT SCALE

THIRD ANGLE PROJECTION

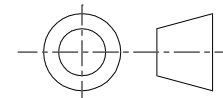


DRG. TITLE:		RETAINING RING	
SCALES:	4:1	ASTRONOMICAL INSTRUMENTATION GROUP DURHAM UNIVERSITY, PHYSICS DEPARTMENT SCIENCE LABS, SOUTH ROAD, DURHAM, DH1 3LE TEL. (091) 374 2107 & 2108	
DRG. TYPE:	PARTS	THIS DRAWING IS THE PROPERTY OF THE ASTRONOMICAL INSTRUMENTATION GROUP, DURHAM UNIVERSITY, PHYSICS DEPT. IT MUST NOT BE COPIED OR LENT WITHOUT THE CONSENT OF THE INSTRUMENTATION GROUP	DRG. SIZE
DRAWN BY:	G.D		A3
DATE	9/03/92	DRAWING No.	REV.
		AF2/FVS-05	A

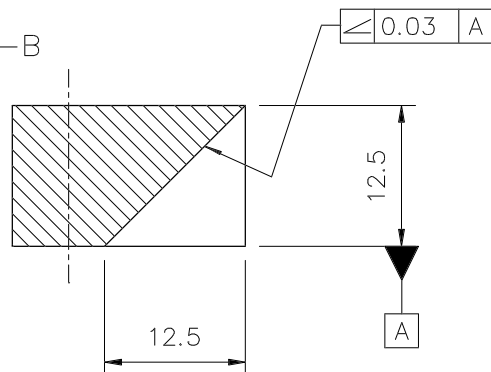
ALL DIMENSIONS IN MM UNLESS OTHERWISE STATED			
IMPLIED TOLERANCES		Material:	
	X (OVER 100) $\pm 0.20$	BRASS	
	X (UP TO 100) $\pm 0.1$	Quantity: 1 OFF	
	X.X $\pm 0.10$		
	X.XX $\pm 0.05$		
ISSUE	REVISION	DRN	DATE

DO NOT SCALE

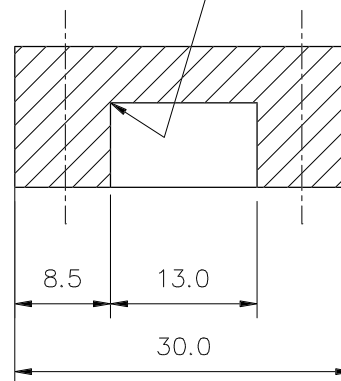
THIRD ANGLE PROJECTION



SECTION B-B

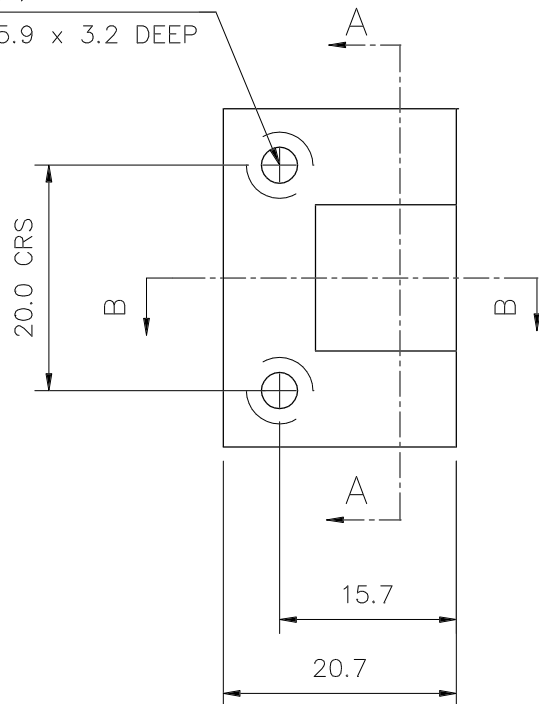


MIN RAD



SECTION A-A

2 HOLE(S) DRILL 3.2  
COUNTERBORE  $\phi 5.9 \times 3.2$  DEEP



FINISH - MACHINE N7 ALL OVER

DRG. TITLE:		PRISM BLOCK	
SCALES:	2:1	ASTRONOMICAL INSTRUMENTATION GROUP DURHAM UNIVERSITY, PHYSICS DEPARTMENT SCIENCE LABS, SOUTH ROAD, DURHAM, DH1 3LE TEL. (091) 374 2107 & 2108	
DRG. TYPE:	PARTS	THIS DRAWING IS THE PROPERTY OF THE ASTRONOMICAL INSTRUMENTATION GROUP, DURHAM UNIVERSITY, PHYSICS DEPT. IT MUST NOT BE COPIED OR LENT WITHOUT THE CONSENT OF THE INSTRUMENTATION GROUP	DRG. SIZE <b>A3</b>
DRAWN BY:	G.D		
DATE	9/03/92	DRAWING No.	REV. <b>A</b>
		<b>AF2\FVS-04</b>	

ISSUE	REVISION	DRN	DATE

ALL DIMENSIONS IN MM UNLESS OTHERWISE STATED

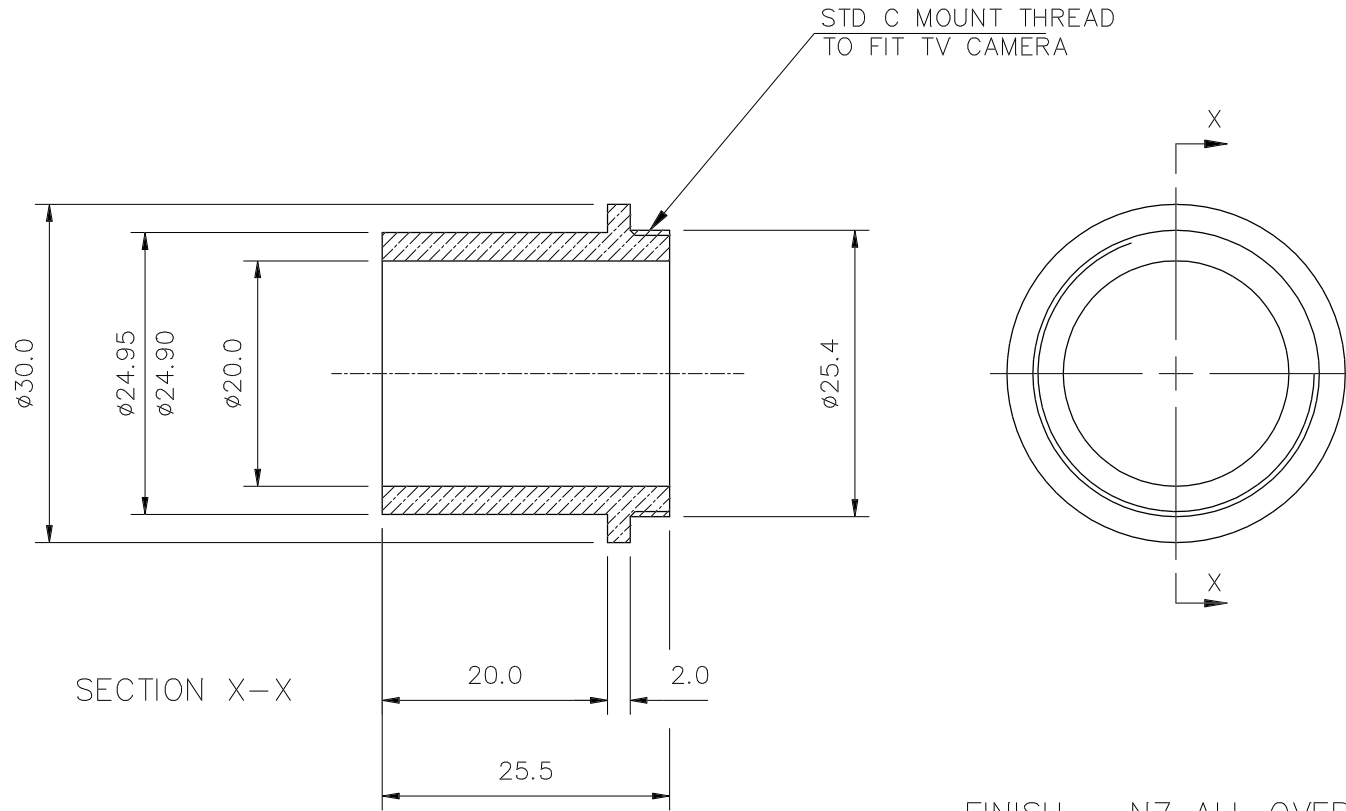
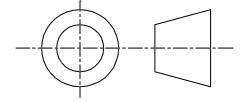
IMPLIED TOLERANCES  
 X (OVER 100)  $\pm 0.20$   
 X (UP TO 100)  $\pm 0.1$   
 X.X  $\pm 0.10$   
 X.XX  $\pm 0.05$

Material:  
**AL ALLOY**  
 Quantity: 1 OFF

Drawing Name	C.A.D. Status	Current plot available	Quantity required	Material			Date submitted to w/sh.	Date returned from w/s	Manuf- -ctured by
				Availability	Type	Size(mm)			
FVS-SA	Complete	Yes							
FVS-01	Complete	Yes							
FVS-02	Complete	Yes							
FVS-03	Complete	Yes							
FVS-04	Complete	Yes							
FVS-05	Complete	Yes / No							
FVS-06	Complete	Yes / No							
FVS-07	IN-Complete	Yes / No							
FVS-08	IN-Complete	Yes / No							
		TITLE			Drawn by: JW		Astronomical Instrumentation Group Durham University, Physics Dept, Science Labs, South Rd, Durham, DH1 3LE. Tel. (091) 374 2107/8/9/12		
		FIBRE VIEWING SYSTEM DRAWINGS & PARTS LIST			Date: 26/04/91				
					Drawing #				

DO NOT SCALE

THIRD ANGLE PROJECTION



FINISH - N7 ALL OVER

DRG. TITLE:		CAMERA ADAPTOR	
SCALES:		2:1	ASTRONOMICAL INSTRUMENTATION GROUP DURHAM UNIVERSITY, PHYSICS DEPARTMENT SCIENCE LABS, SOUTH ROAD, DURHAM, DH1 3LE TEL. (091) 374 2107 & 2108
DRG. TYPE:		PARTS	THIS DRAWING IS THE PROPERTY OF THE ASTRONOMICAL INSTRUMENTATION GROUP, DURHAM UNIVERSITY, PHYSICS DEPT. IT MUST NOT BE COPIED OR LENT WITHOUT THE CONSENT OF THE INSTRUMENTATION GROUP
DRAWN BY:		G.D	
DATE		3/03/92	DRG. SIZE A3
		AF2\FVS-02	REV. A

ALL DIMENSIONS IN MM UNLESS OTHERWISE STATED			
IMPLIED TOLERANCES			
X (OVER 100) ±0.20			
X (UP TO 100) ±0.1			
X.X ±0.10			
X.XX ±0.05			
ISSUE	REVISION	DRN	DATE
Material:		BRASS	
Quantity:		1 OFF	



