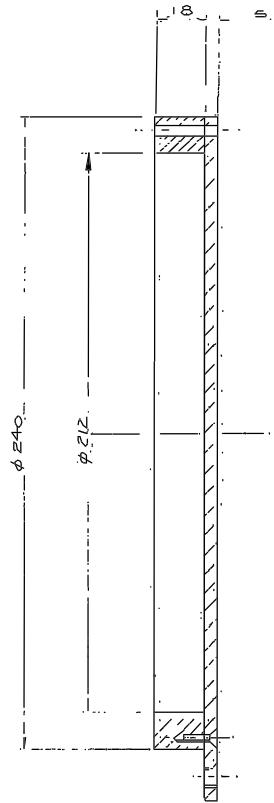
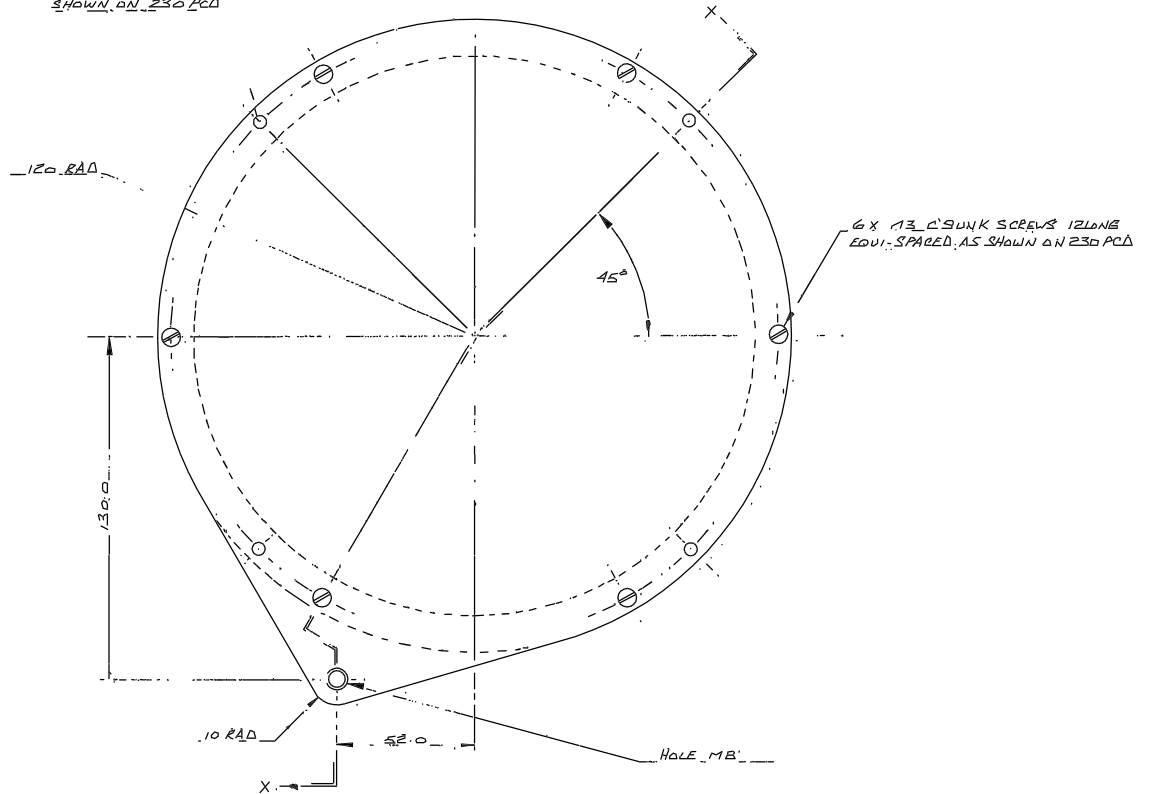


								Tolerances (Unless otherwise stated)		Material		Dimms in m.m.		Scale 1/1		THIRD ANGLE PROJECTION		G.A. No. V/FZ/300	
								X ± 0.2		AL. ALLOY		1				1.21 A & B FIBRE OPTIC STATION		Drawing No.	
								XX ± 0.1		Finish		Drg. No.				ROYAL GREENWICH OBSERVATORY,		W/FZ/303	
								XXX ± 0.05		BLANDISE		No. Rev.				HEARSTMONCEUX CASTLE,			
										Used on						HAILSHAM			
																SUSSEX.			
																TITLE			
																PLATE HOLDER			



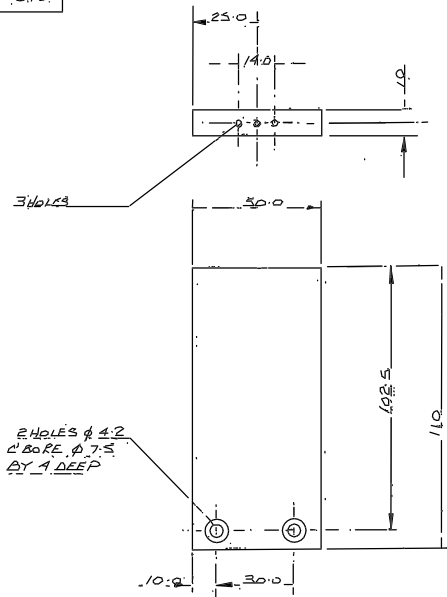
SECTION ON X-X

4 HOLES φ 4.5
EQUI-SPACED AS
SHOWN ON 230 PCD

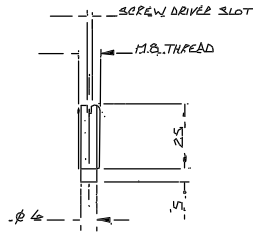


				1 NOV 68 ETH				Tolerances (Unless otherwise stated) X ± 0.2 XX ± XXX ±		Material AL ALLOY		Dimms in m.m.		Scale 1:1		THIRD ANGLE PROJECTION		G.A. No. V/FZ/300	
				JUNK BB ETH				Finish BL. ANODISE.		UNIT		ROYAL GREENWICH OBSERVATORY, HERSTMONCEUX CASTLE, HAILSHAM SUSSEX.		Title A.21. A.26 FLARE OPTIC STATION. BLANKING PLATE		Drawing No. W/FZ/320			
Issue	Mod. No.	Date	Drawn By	Issue	Mod. No.	Date	Drawn By	Used on											

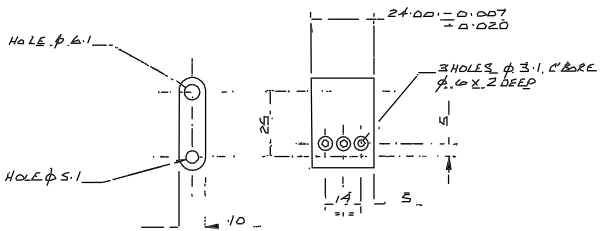
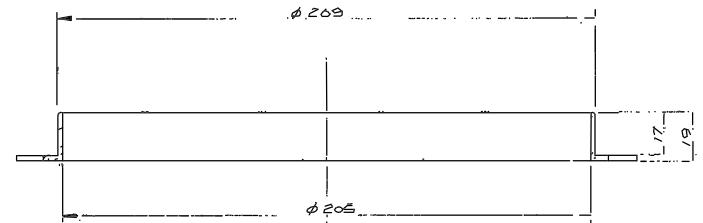
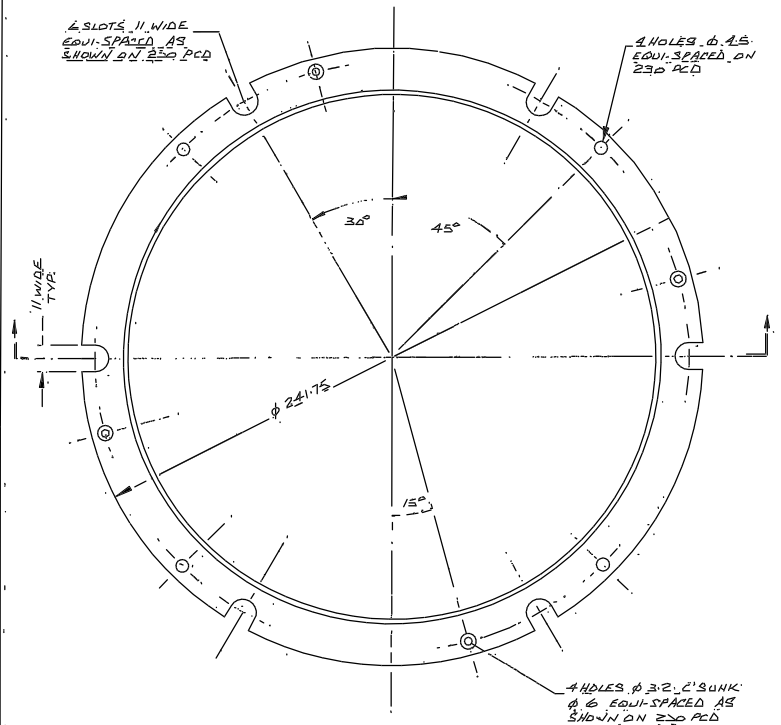
Drawing No.
W/FZ/316-319.



16 TITLE: PLATE		
MATERIAL	SCALE	TOLERANCES
AL. ALLOY	1:1	X \pm 0.2
FINISH	NO REQ. PER UNIT	XX \pm 0.1
BL. ANODISE	1	XXX
G.A. No.	DRAWING No.	
V/FZ/300	R.G.O. W/FZ/316	



17 TITLE: SCREW		
MATERIAL	SCALE	TOLERANCES
M.S.	1:1	X \pm 0.2
FINISH	NO REQ. PER UNIT	XX
BL. NICKEL	1	XXX
G.A. No.	DRAWING No.	
V/FZ/300	R.G.O. W/FZ/317	

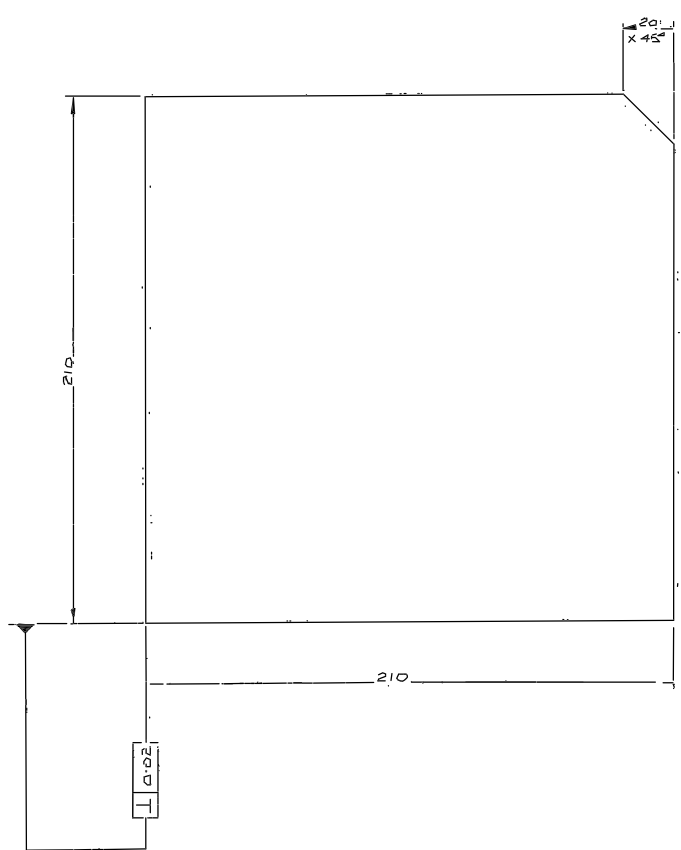
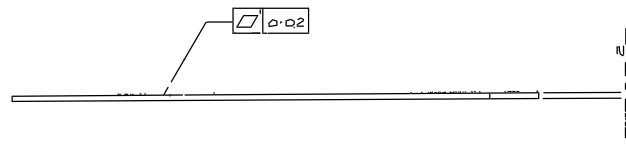


19 TITLE: PIVOT PLATE		
MATERIAL	SCALE	TOLERANCES
AL. ALLOY	1:1	X \pm 0.2
FINISH	NO REQ. PER UNIT	XX
BL. ANODISE	1	XXX
G.A. No.	DRAWING No.	
V/FZ/300	R.G.O. W/FZ/319	

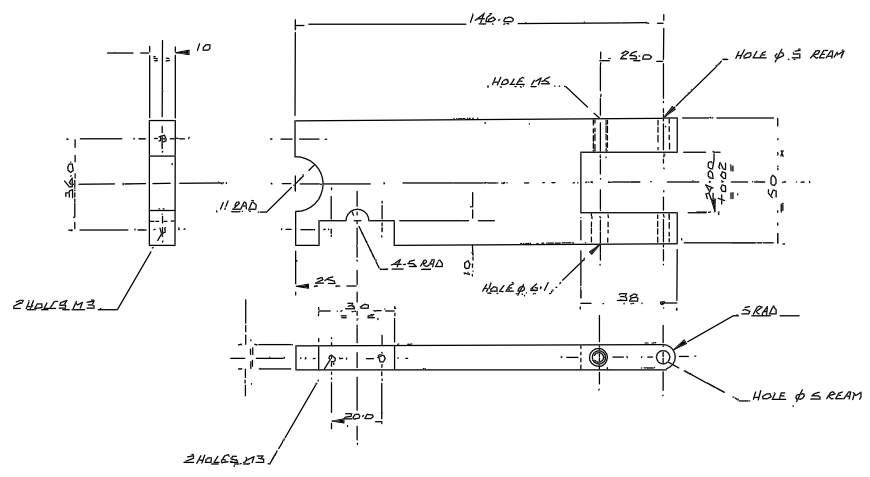
18 TITLE: LABYRINTH		
MATERIAL	SCALE	TOLERANCES
AL. ALLOY	1:1	X \pm 0.2
FINISH	NO REQ. PER UNIT	XX
BL. ANODISE	1	XXX
G.A. No.	DRAWING No.	
V/FZ/300	R.G.O. W/FZ/318	

THIRD ANGLE PROJECTION				ROYAL GREENWICH OBSERVATORY, HERSTMONCEUX CASTLE, HAILSHAM SUSSEX.				Title L20 A & G FIBRE OPTIC STATION DETAILS				Drawing No. W/FZ/316-319		
Material	Finish	Dimns in m.m.	Scale	Drw. No.	No. Req.	Used on								

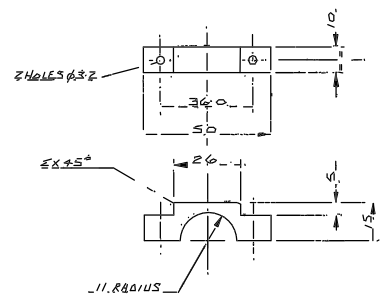
Drawing No.
W/FZ/312-315



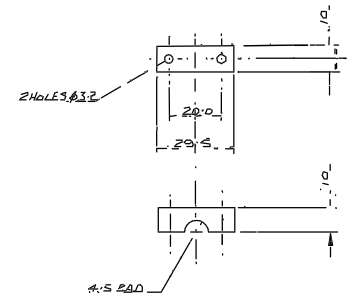
12		TITLE STANDARD PLATE	
MATERIAL AL. ALLOY	SCALE 1:1	TOL. RANGES X ± 0.2	
FINISH BL ANDISE	NO REGR. PER UNIT 1	XXX ± 0.1	
G.A. No. V/FZ/300	DRAWING No. R.G.O. W/FZ/312		



13		TITLE SWING PLATE	
MATERIAL AL. ALLOY	SCALE 1:1	TOLERANCES X ± 0.2	
FINISH BL ANDISE	NO REGR. PER UNIT 1	XXX ± 0.1	
G.A. No. V/FZ/300	DRAWING No. R.G.O. W/FZ/313		



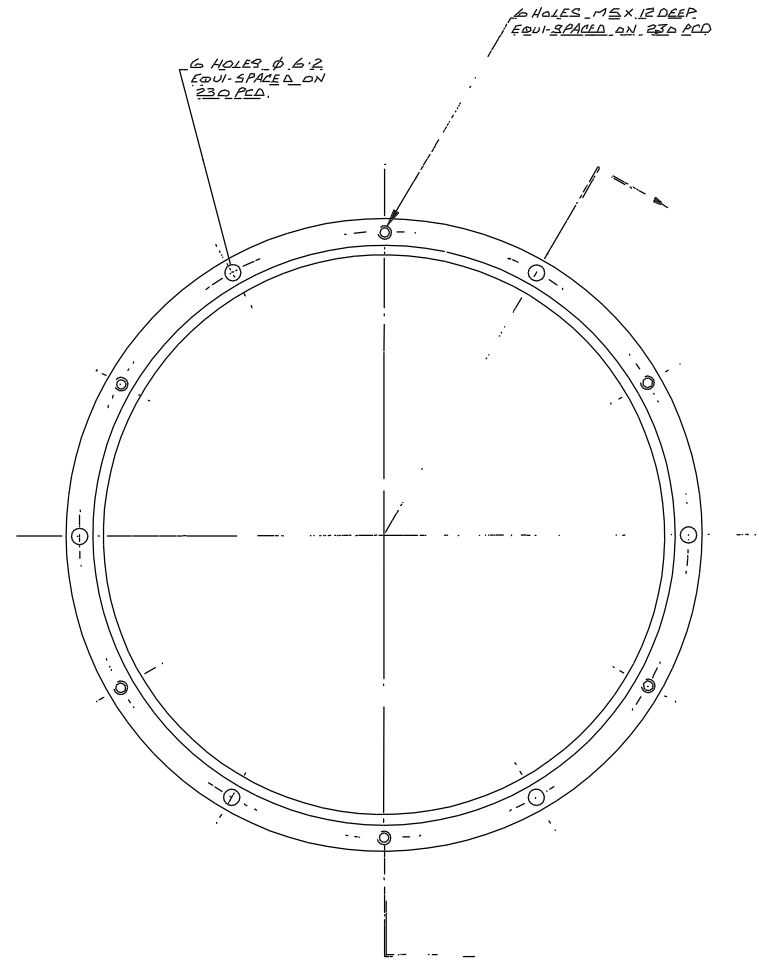
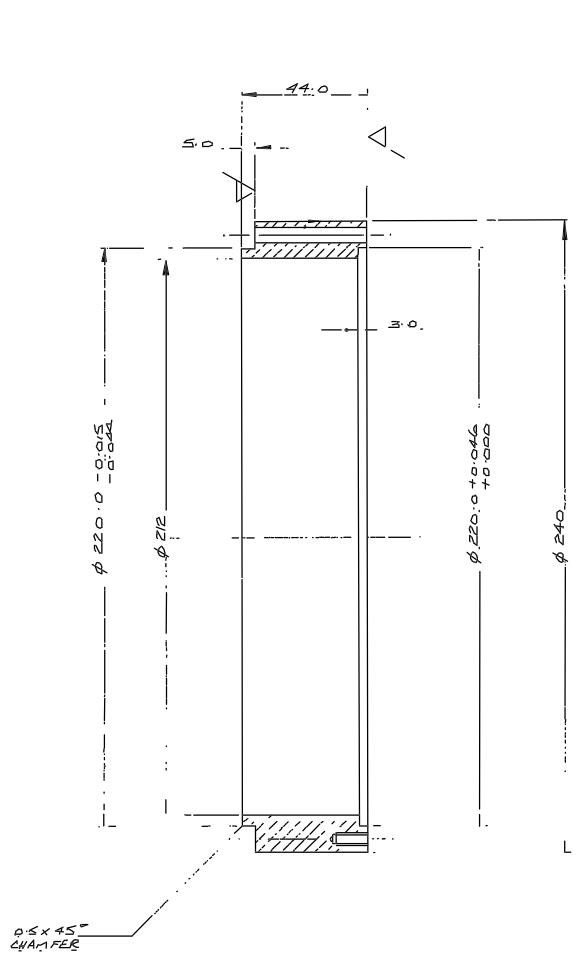
14		TITLE FIBRE CLAMP 'A'	
MATERIAL AL. ALLOY	SCALE 1:1	TOLERANCES X ± 0.2	
FINISH BL ANDISE	NO REGR. PER UNIT 1	XXX ± 0.1	
G.A. No. V/FZ/300	DRAWING No. R.G.O. W/FZ/314		



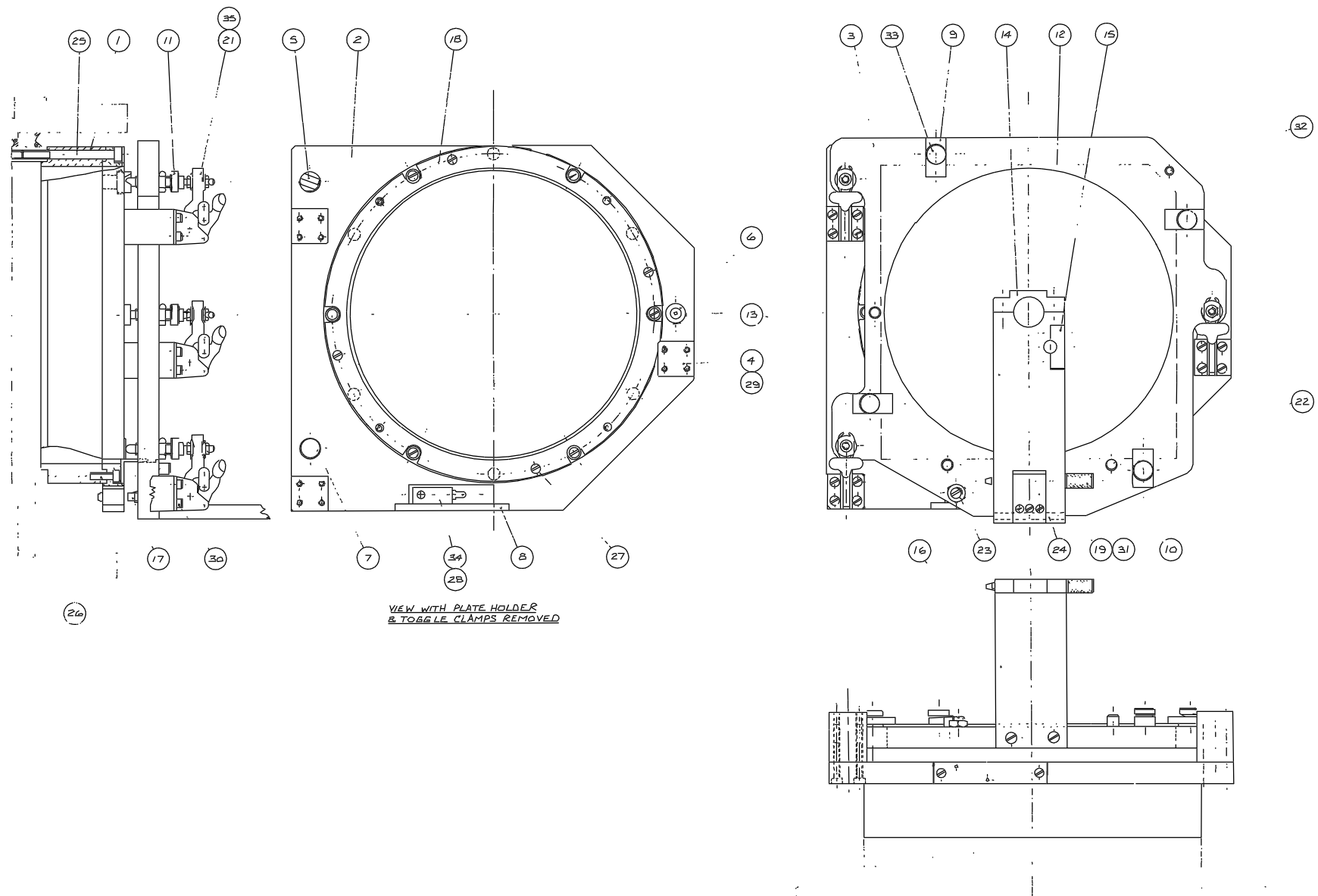
15		TITLE FIBRE CLAMP 'B'	
MATERIAL AL. ALLOY	SCALE 1:1	TOLERANCES X ± 0.2	
FINISH BL ANDISE	NO REGR. PER UNIT 1	XXX ± 0.1	
G.A. No. V/FZ/300	DRAWING No. R.G.O. W/FZ/315		

Tolerances (Unless otherwise stated)				Material		Dimes in mm.		Scale		THIRD ANGLE PROJECTION		G.A. No.	
X ±						ROYAL GREENWICH OBSERVATORY,				42M AVE. FIBRE OPTIC STATION.		Drawing No.	
XX ±				Finish:		HERSTWONCEUX CASTLE		Title		DETAILS		W/FZ/312-315	
XXX ±				Drg No.		HALLSHAM		SUSSEX.					
Issue				Used on									

DRAWING NUMBER	No. of Sheets	G.A. Item No.	DRAWING TITLE OR COMPONENT NAME	No. of	MATERIAL STOCK OR ORDER No. AND DATE	REMARKS	ISSUE DATE	ISSUED TO	FINISH DATE
V\FZ\300	1		ASSY. FIBRE OPTIC APERTURE MOUNT						
W\FZ\301		1	BASE RING	1					
W\FZ\302		2	BASE PLATE	1					
W\FZ\303		3	PLATE HOLDER	1					
W\FZ\304		4	PILLAR	3					
W\FZ\305		5	KINEMATIC MOUNT 'A'	1					
W\FZ\306		6	KINEMATIC MOUNT 'B'	1					
W\FZ\307		7	KINEMATIC MOUNT 'C'	1					
W\FZ\308		8	PROXIMITY SWITCH PLATE	1					
W\FZ\309		9	CLAMP	1					
W\FZ\310		10	LOCKING PIN	1					
W\FZ\311		11	SCREW	3					
W\FZ\312		12	STANDARD PLATE	1					
W\FZ\313		13	SWING PLATE	1					
W\FZ\314		14	FIBRE CLAMP 'A'	1					
W\FZ\315		15	FIBRE CLAMP 'B'	1					
W\FZ\316		16	PLATE	1					
W\FZ\317		17	SCREW	1					
W\FZ\318		18	LABYRINTH	1					
W\FZ\319		19	PIVOT PLATE	1					
W\FZ\320		20	DIAMMING PLATE						
		21	DESTACO TOGGLE CLAMP TYPE 305-U	3					
		22	DOWEL PIN ϕ 8 X 23 LONG	3					
		23	NUT M8	4					
		24	DOWEL PIN ϕ 5 X 50 LONG	1					
		25	SOC. HD. CAP SCREW M6 X 65 LONG	6					
		26	" " " " M5 X 15 LONG	8					
		27	C'SUNK SCREW M3 X 10 LONG	4					
		28	PAN HD. SCREW M2 X 15 LONG	2					
		29	SOC. HD. CAP SCREW M4 X 25 LONG	12					
		30	" " " " M4 X 10 LONG	12					
		31	" " " " M3 X 20 LONG	3					
		32	DOWEL PIN ϕ 6 X 20 LONG	1					
		33	SCREW WDS B17	4					
		34	PROXIMITY SWITCH IND 002 VBF	1					
		35	DESTACO SPINDLE 305-208M	3					
JOB TITLE					ASSY DRC. No.		SHEET No.	DRAWN BY	
4.2m A-B FIBRE OPTIC STATION					V\FZ\300		1	BTH	
ASSY. FIBRE OPTIC APERTURE MOUNT.								DATE	
ROYAL GREENWICH OBSERVATORY,					HERSTMONCEUX CASTLE,		HAILSHAM,		SUSSEX



								Tolerances (Unless otherwise stated)		Material <i>AL. ALLOY</i>		Dimms in m.m.		Scale 1 / 1		THIRD ANGLE PROJECTION		G.A. No. <i>V/FZ/300</i>	
								X ± 0.2		Finish <i>BL. ANODISE</i>		1		ROYAL GREENWICH OBSERVATORY, HERSTMONCEUX CASTLE, HAILSHAM SUSSEX.		Title <i>4.2.2.2 FIBRE OPTIC STATION BASE RING</i>		Drawing No. <i>W/FZ/301</i>	
Issue	Mod. No.	Date	Drawn By	Issue	Mod. No.	Date	Drawn By			Drq. No.	No. Req.	Used on							



								Tolerances (Unless otherwise stated): X ± XX ± XXX ±		Material		Dimns. in m.m		Scale FULL SIZE		THIRD ANGLE PROJECTION		S.A. No.	
								Finish		Drg. No. No. Rev		ROYAL GREENWICH OBSERVATORY, HERSTMONGUEUX CASTLE, HAILSHAM		Title		424 x 4 CASE I.		Drawing No.	
Issue	Mod. No.	Date	Drawn By	Issue	Mod. No.	Date	Drawn By	Used on		SUSSEX.		ASSY. FIBRE OPTIC APERTURE MOUNT		V/FZ/300					

JUNE 20 BTH

ASSY. FIBRE OPTIC APERTURE MOUNT

V/FZ/300