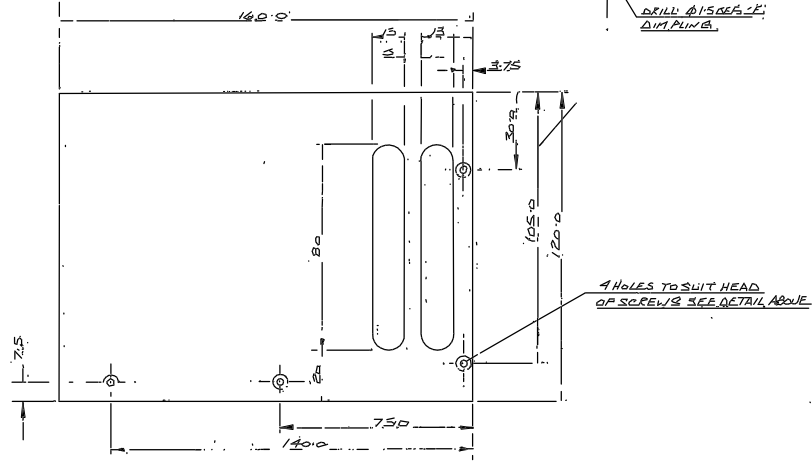
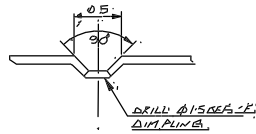


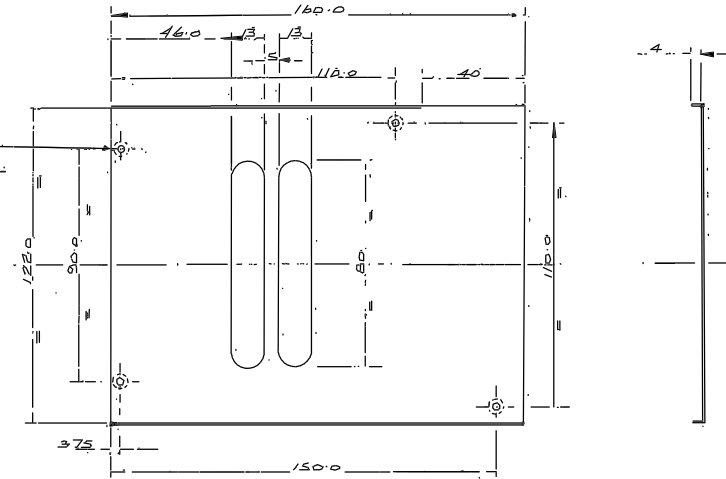
Tolerances (Unless otherwise stated)								Material		Dims in m.m.		Scale 1:1		THIRD ANGLE PROJECTION		G.A. No.	
X ± 0.1								AL. ALLOY		1				ROYAL GREENWICH OBSERVATORY, HERSTMONCEUX CASTLE, HAILSHAM SUSSEX.		Drawing No.	
XX ± 0.1								FINISH		Dwg. No.		No. Rev.		Peltier COOLED CCD		Title	
XXX ± 0.1								SL. ANODISE		Used on				FRONT HOUSING		W/FZ/752	

DETAIL OF FIXING HOLES



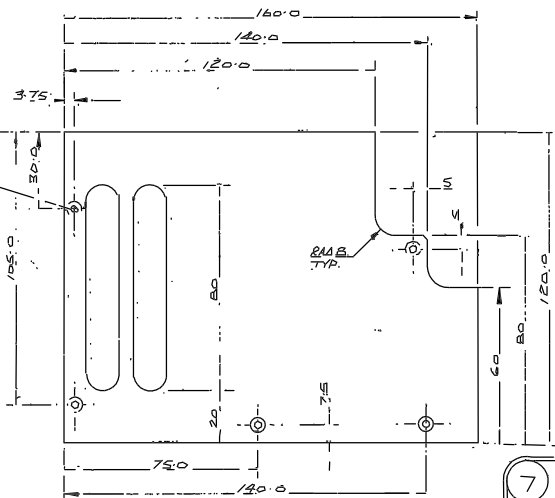
TITLE		
5	SIDE PLATE 'A'	
MATERIAL	SCALE	TOLERANCES
10AL ALLOY	1:1	X ± 0.2
FINISH	NO REQ PER UNIT	XX ± 0.1
BL ANODISE	1	XXX
G.A. No.	DRAWING No.	
W/FZ/750	R.G.O. W/FZ/755	

4 HOLES OTHERSIDE TO SUIT HEAD OF SCREWS SEE DETAIL DRG. W/FZ/755

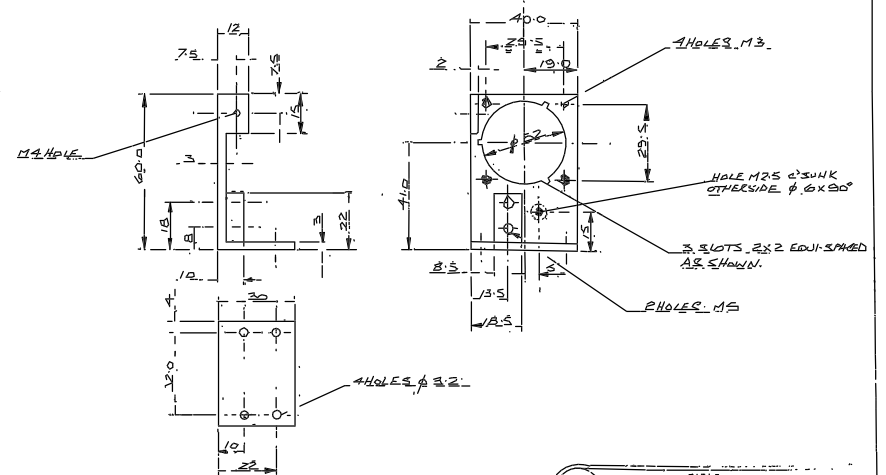


TITLE		
6	TOP PLATE	
MATERIAL	SCALE	TOLERANCES
10AL ALLOY	1:1	X ± 0.2
FINISH	NO REQ PER UNIT	XX ± 0.1
BL ANODISE	1	XXX
G.A. No.	DRAWING No.	
W/FZ/750	R.G.O. W/FZ/756	

SHOLES TO SUIT HEAD OF SCREWS SEE DETAIL DRG. W/FZ/755

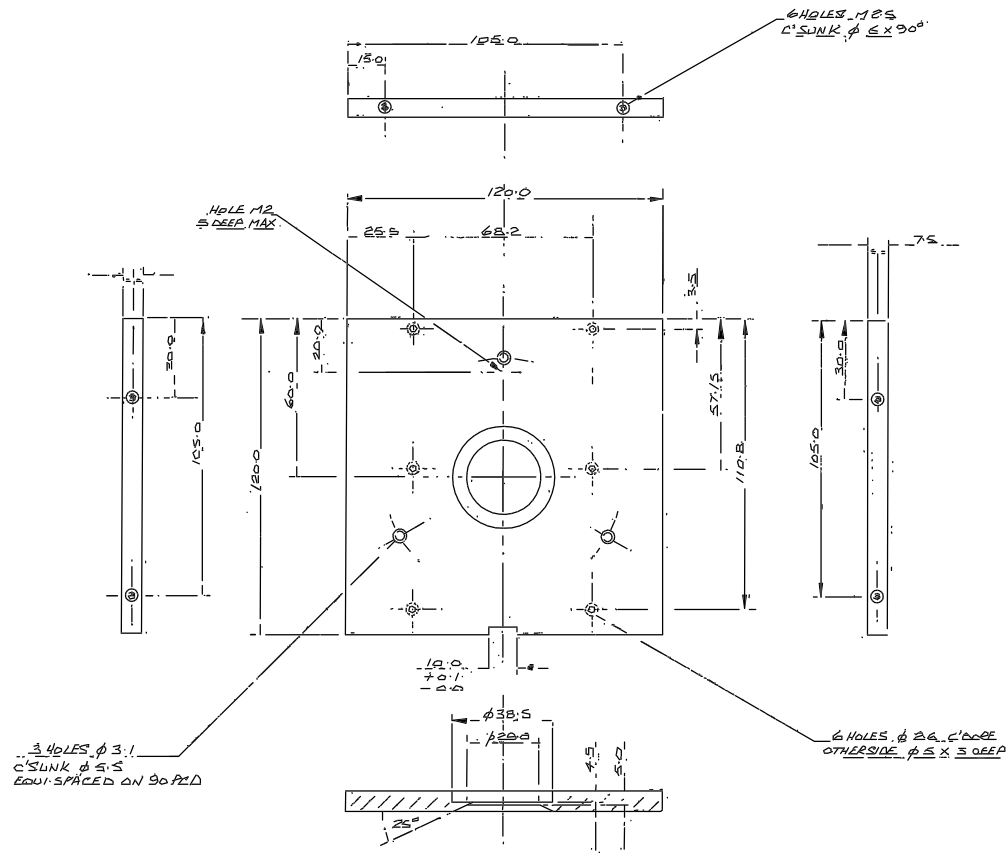


TITLE		
7	SIDE PLATE 'B'	
MATERIAL	SCALE	TOLERANCES
10AL ALLOY	1:1	X ± 0.2
FINISH	NO REQ PER UNIT	XX ± 0.1
BL ANODISE	1	XXX
G.A. No.	DRAWING No.	
W/FZ/750	R.G.O. W/FZ/757	

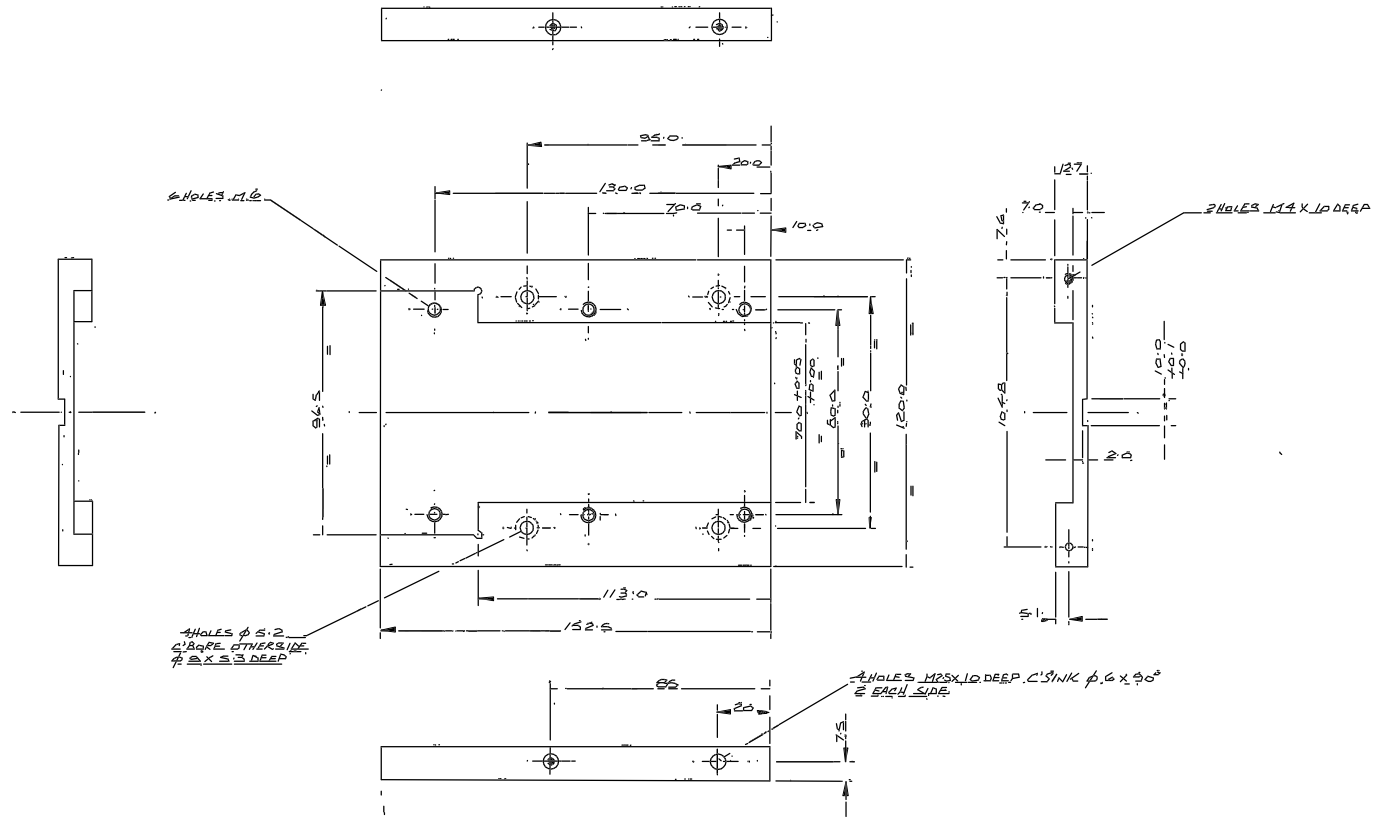


TITLE		
8	BRACKET	
MATERIAL	SCALE	TOLERANCES
AL ALLOY	1:1	X ± 0.2
FINISH	NO REQ PER UNIT	XX ± 0.1
BL ANODISE	1	XXX
G.A. No.	DRAWING No.	
W/FZ/750	R.G.O. W/FZ/758	

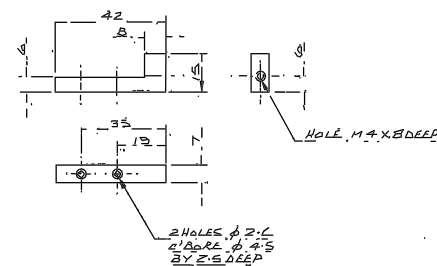
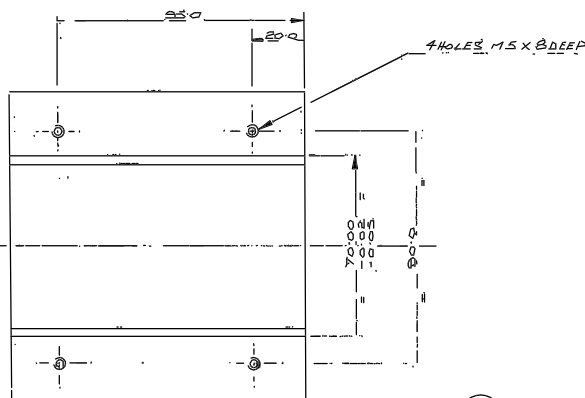
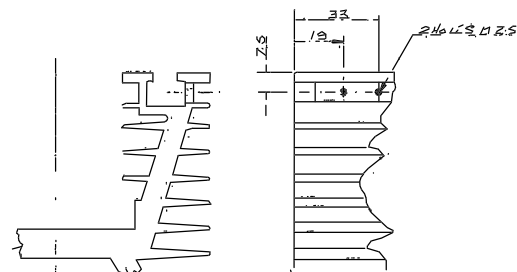
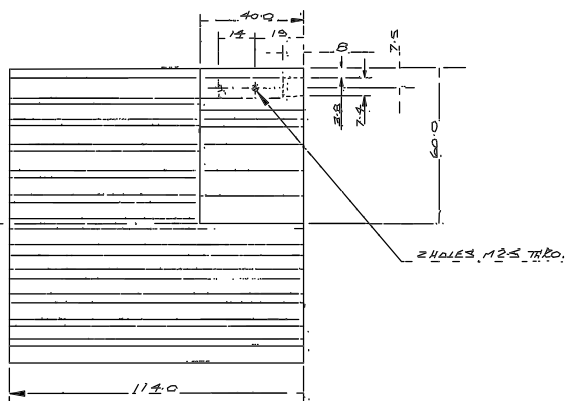
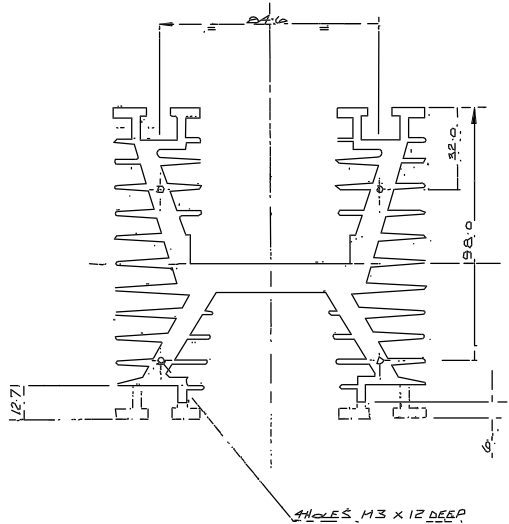
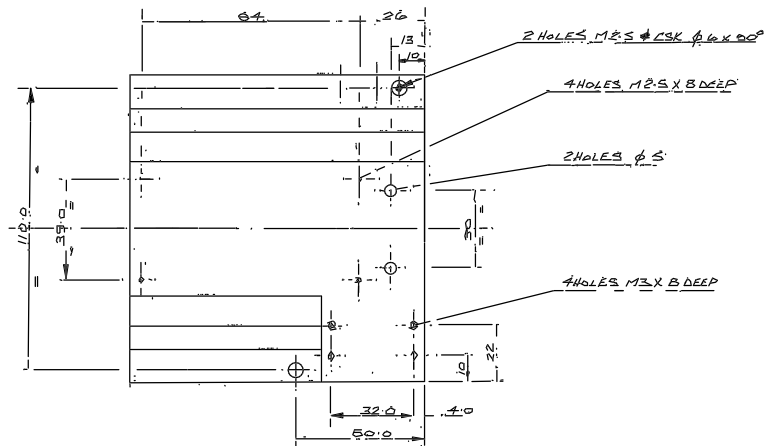
Tolerances (Limits otherwise stated)				Material		Units in m.m.		Scale		THIRD ANGLE PROJECTION		Title		G.A. No.	
Issue	Mod. No.	Date	Drawn By	Issue	Mod. No.	Date	Drawn By	Drawn	Scale	Proj.	Proj.	Title		Drawing No.	
												PELTIER COOLED COOLING PANELS & BRACKET		W/FZ/755-758	



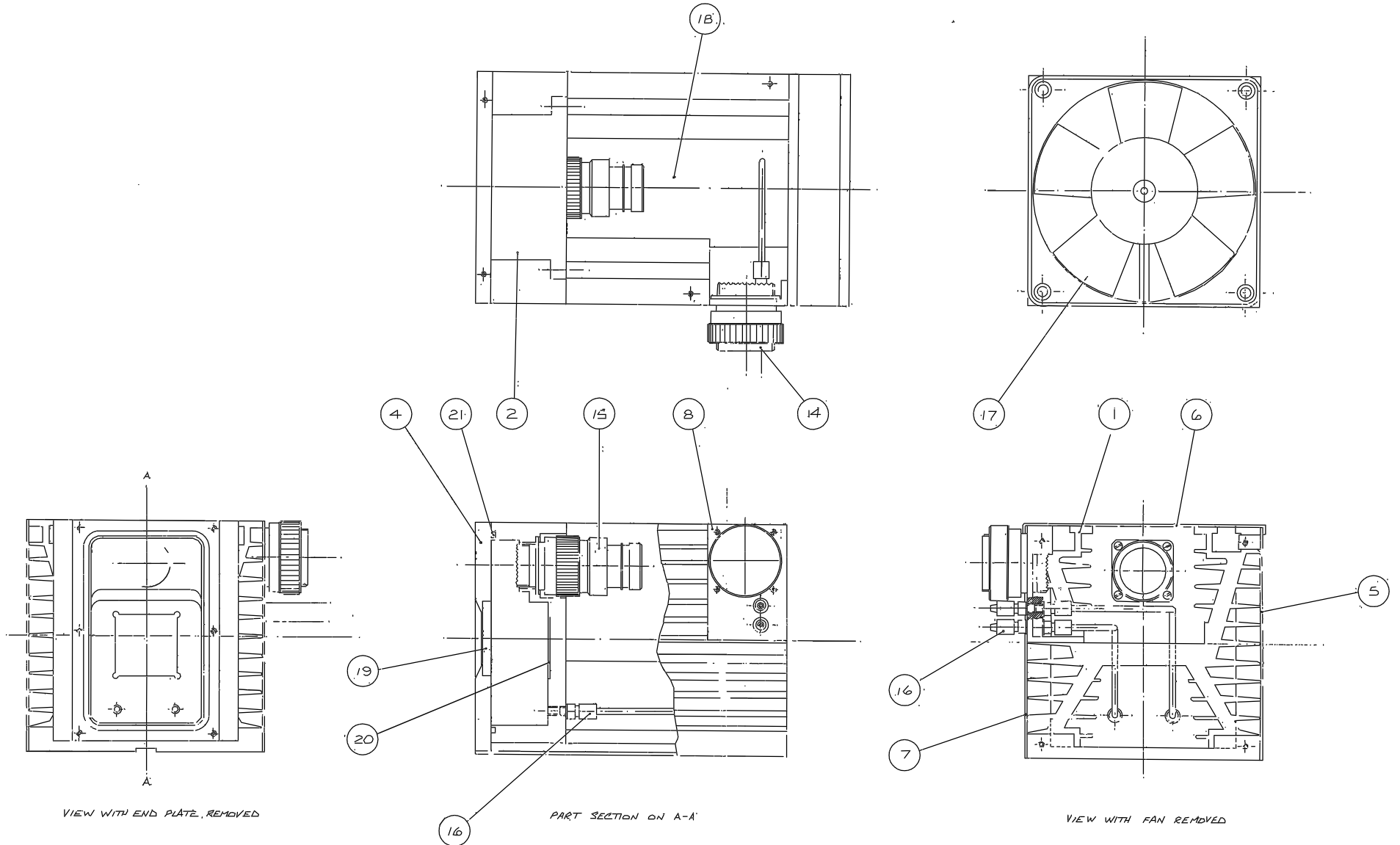
							Tolerances (Unless otherwise stated): X ± XX ± XXX ±		Material AL. ALLOY		Dimns in m.m.		Scale 1:1		THIRD ANGLE PROJECTION		G.A. No.	
							Finish BL. ANODISE		Drwg. No. _____ No. Revis. _____		ROYAL GREENWICH OBSERVATORY, HERSTMONCEUX CASTLE, HAILSHAM SUSSEX.		Title PELTIER COOLEQ CCD FRONT PLATE		Drawing No. W/FZ/754			
Issue	Mod. No.	Date	Drawn By	Issue	Mod. No.	Date	Drawn By			Used on								



								Tolerances (Unless otherwise stated):		Material		Dimms in m.m.		Scale		THIRD ANGLE PROJECTION		G.A. No.	
								X ± 0.2		AL. ALLOY HP30		1		1:1		PELTIER COOLED CCD		Drawing No.	
								XX ± 0.1		Finish		Dwg. No.		ROYAL GREENWICH OBSERVATORY, HERSTMONCEUX CASTLE, HAILSHAM SUSSEX.		BASE PLATE		W/FZ/753	
								XXX \pm		BL. ANODISE		No. Req.		Used on					



Tolerances (Unless otherwise stated): X ± 0.2 XX ± 0.1 XXX ±							Material: R.S. COMPOSITE NR. 401-255 DIS. CAST ALUMINUM Finish: BL. ANODISE			Dimms in m.m.		Scale: 1:1	THIRD ANGLE PROJECTION PELTIER COOLED CCD HEAT SINK: DETAIL		G.A. No. W/FZ/750 Drawing No. W/FZ/751	
Issue	Mod. No.	Date	Drawn By	Issue	Mod. No.	Date	Drawn By	Drp. No.	No. Req.	ROYAL GREENWICH OBSERVATORY, HERSTMONCEUX CASTLE, HAILSHAM SUSSEX.						
						MAR 27	BTH			Used on W/FZ/750						



VIEW WITH END PLATE, REMOVED

PART SECTION ON A-A

VIEW WITH FAN REMOVED

								Tolerances (Unless otherwise stated)		Material		Dimms in m.m.		Scale FULL SIZE		THIRD ANGLE PROJECTION		G.A. No.	
								X ±								ROYAL GREENWICH OBSERVATORY,		Drawing No.	
								XX ±								HERSTMONCEUX CASTLE,		W/F.Z/750	
								XXX ±								SUSSEX.			
Issue	Mod. No.	Date	Drawn By	Issue	Mod. No.	Date	Drawn By	Finish		Drg. No		No. Rev.		Title					
										Used on				ASSY PELTIER COOLED CHARGED. COUPLED DEVICE					