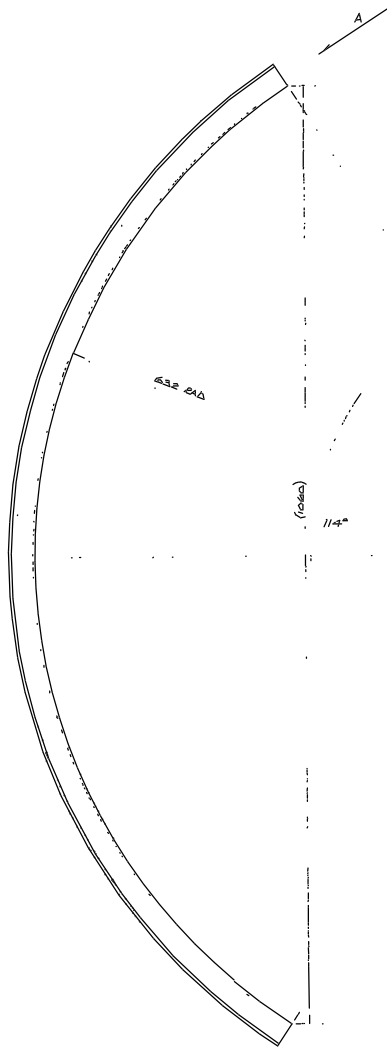
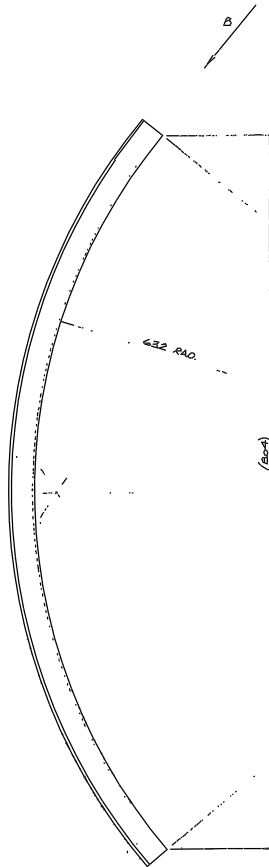




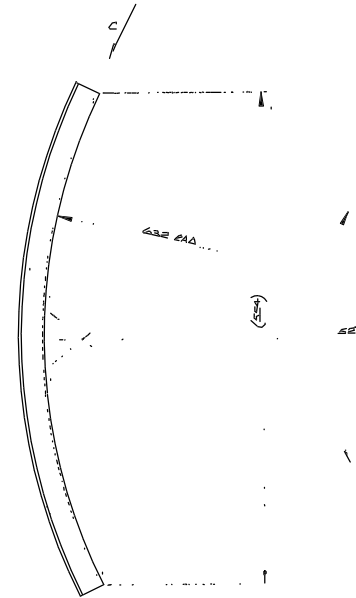
Drq No  
V/FV/269



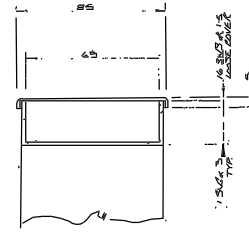
CABLE TRAY N°1



CABLE TRAY N°2



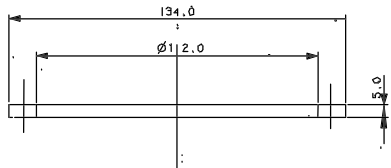
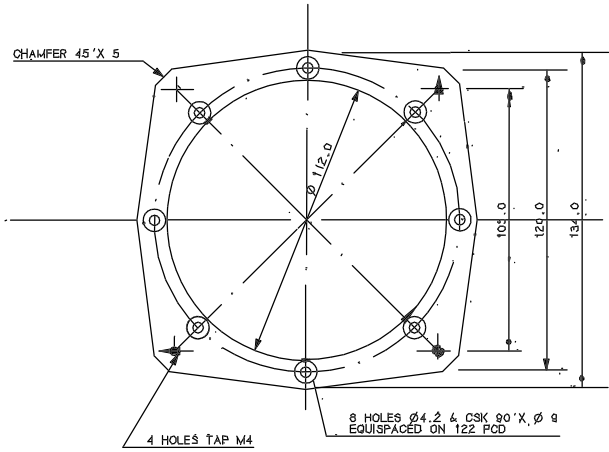
CABLE TRAY N°3



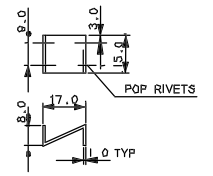
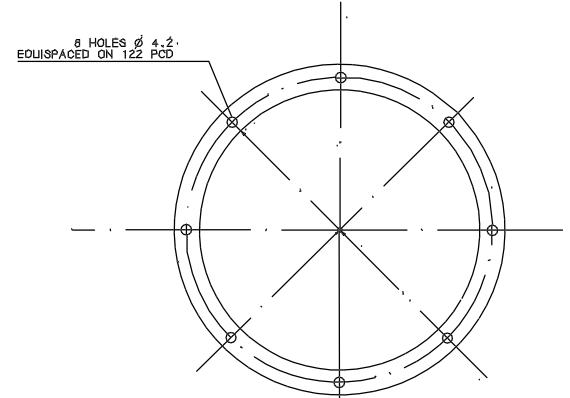
VIEW IN DIRECTION OF ARROWS A B OR C  
SCALE 1:1

						Tolerances (Unless otherwise stated) X ± 0.5 XX ± XXX ±		Material 1/2 HARD ALUMINIUM ALLOY Finish BLACK ANODISE		Dimens. in m.m. Scale 1/2 ± 1/1		THIRD ANGLE PROJECTION		G.A. No.		
						1 OF EACH		ROYAL GREENWICH OBSERVATORY, HERSTMONCEUX CASTLE, HAILSHAM		Title		424 A28 CASE I EXTERNAL CABLE TRAYS		Drawing No		
Issue	Mod. No.	Date	Drawn By	Issue	Mod. No.	Date	Drawn By	Drq No	No. Rec.	Used on			V/FV/269			

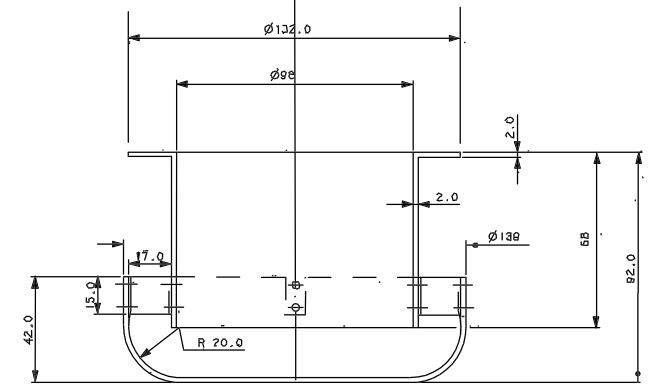
Drawing No.  
W /FV287-288



TITLE		DISC REF.	
FAN MOUNTING PLATE			
MATERIAL	SCALE	TOLERANCES ±	
AL ALLOY	1 : 1	X	0.15
FINISH	No. REQD. PER UNIT	X.X	+/-
BL ANODISE	1	X.XX	+/-
G.A. No.	DRG. No.	DRAWING No.	
RG0	W/FV/287	W/FV/287	



COWL CAP SUPPORT, BKT 4 OFF  
MATERIAL AL ALLOY



TITLE		DISC REF.	
EXHAUST COWL			
MATERIAL	SCALE	TOLERANCES ±	
AL ALLOY	1 : 1	X	0.15
FINISH	No. REQD. PER UNIT	X.X	+/-
BL ANODISE	1	X.XX	+/-
G.A. No.	DRG. No.	DRAWING No.	
RG0	W/FV/288	W/FV/288	

Issue				Mod. No.				Date				Drawn by				Tolerance (Unless otherwise stated)				Material		Dimns. in m.m.		Scale		Title		GA No.	
				DEC87				BTH								X / +/-		Finish		DRG. No.		No. Req.		ROYAL GREENWICH OBSERVATORY		THIRD ANGLE PROJECTION		42 A&G CASE 1.	
												X.X +/-				Finish		Used on W/FV/283				HERSTMONCEUX CASTLE		DETAILS		Drawing No.			
												X.XX +/-								HAILSHAM		SUSSEX		W /FV287-288					

Dwg No  
V/FV/266

RADIAL BALL BEARING AS FITTED

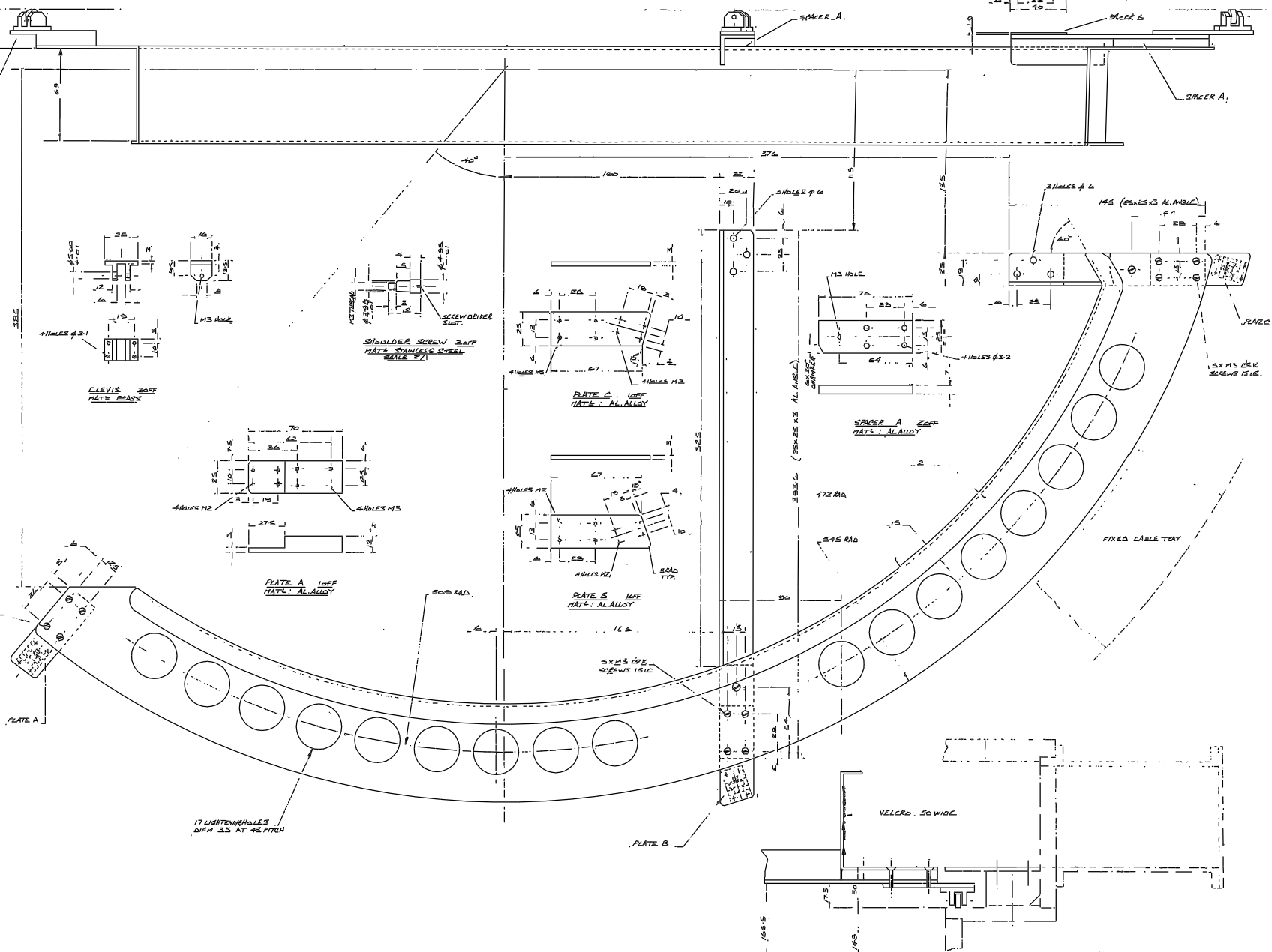
SPACER A.

SPACER B 100%  
MATERIAL ALLOY

SPACER C

SPACER A.

1.2.3.0  
FROM INTERNAL  
SHOT FACE OF  
BOTTOM SECTION



9 x M3 CSK  
SCREWS 151C.

PLATE A

17 LIFTING HOLES  
DIAM 33 AT 43 PITCH

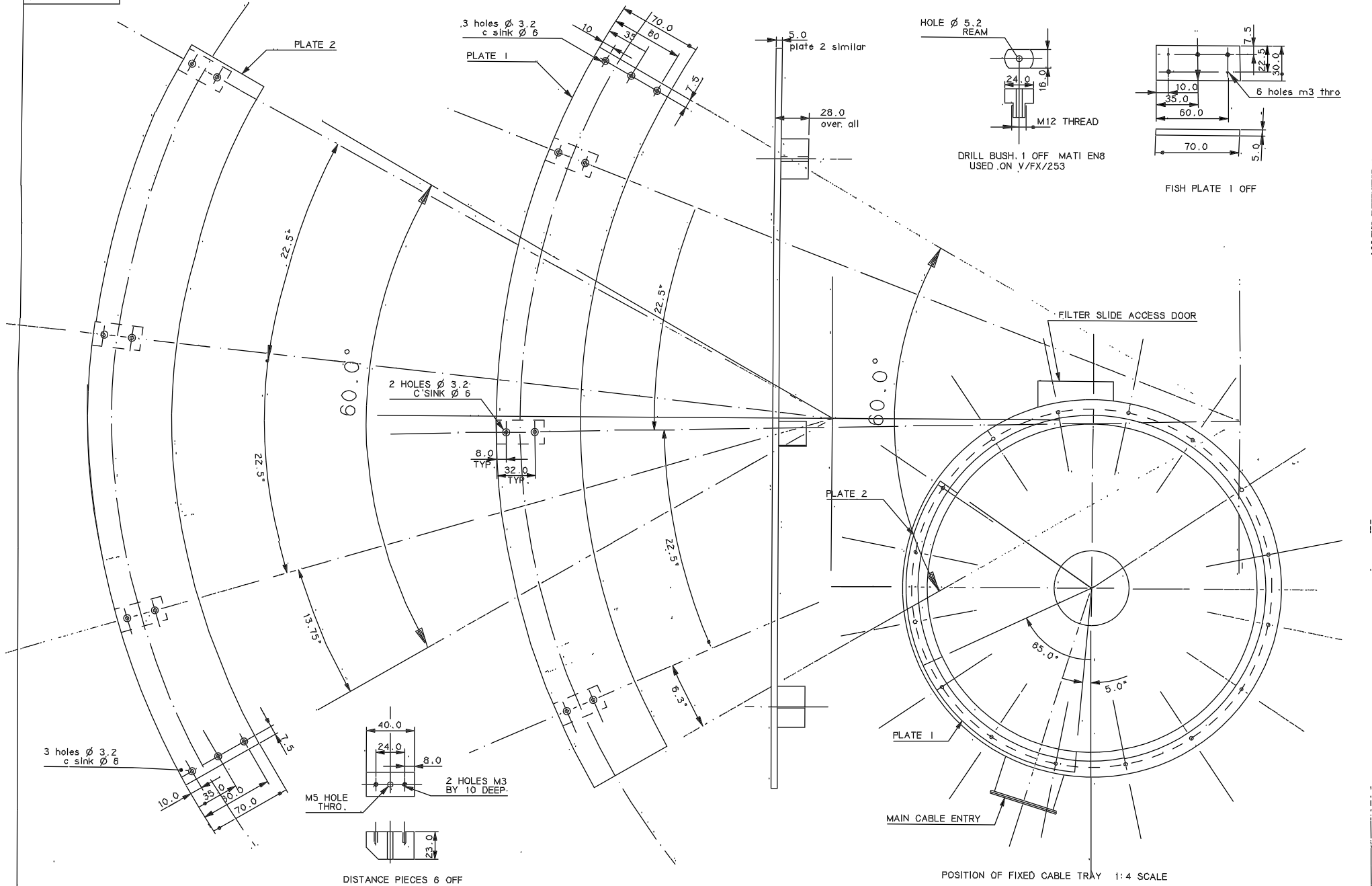
PLATE B

VELCRO 50 WIDE

FIXED CABLE TRAY

								Tolerances (Limits otherwise stated)	Material	Dimns. in mm	Scale FULL SIZE.	THIRD ANGLE PROJECTION	G.A. No.
								X ±	1 UNIT.			ROYAL GREENWICH OBSERVATORY, HERSTMONCEUX CASTLE, HAILSHAM	Drawing No 3061
								X X ± 0.25	Finish BLACK ANODISE	Dwg No.	No. Rev	ROTATING CABLE TRAY	V/FV/266
								XXX ±	A BLACK NIKZEL	Used on			
Issue	Rev'd No.	Date	Drawn By	Issue	Mod. No.	Date	Drawn By						

DRG NO.  
V /FV/265

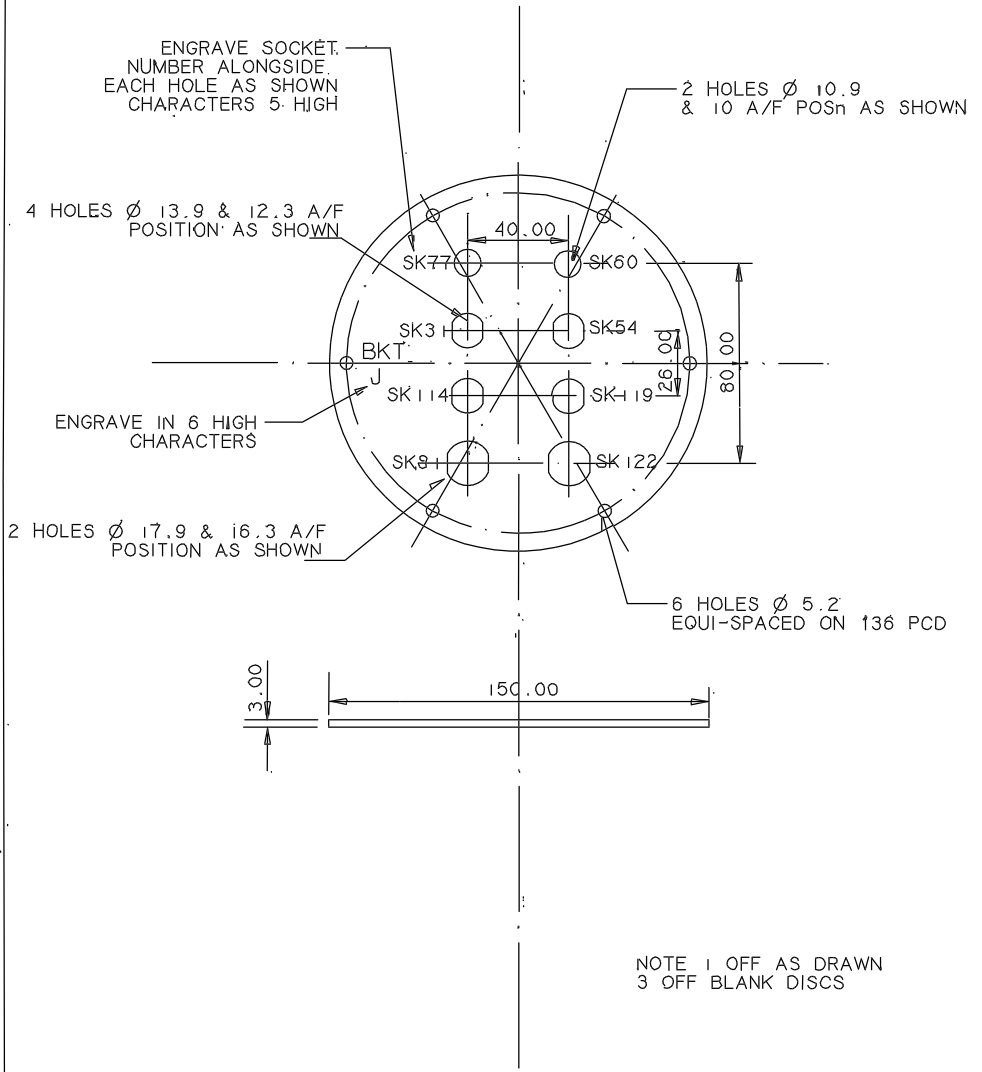
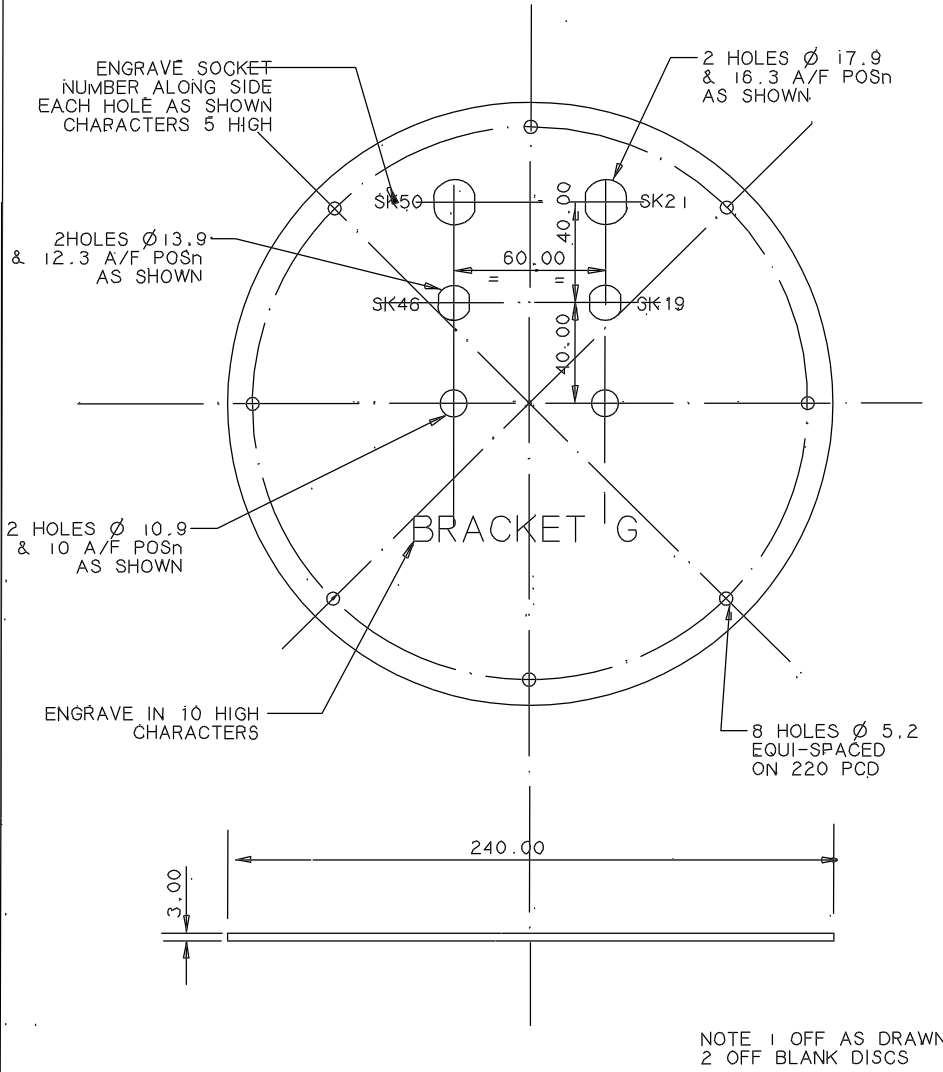


DISTANCE PIECES 6 OFF

POSITION OF FIXED CABLE TRAY 1:4 SCALE

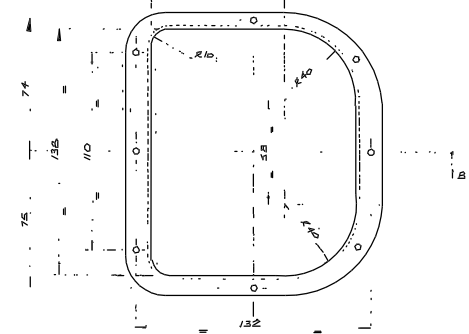
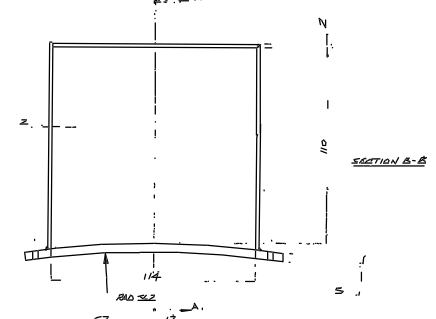
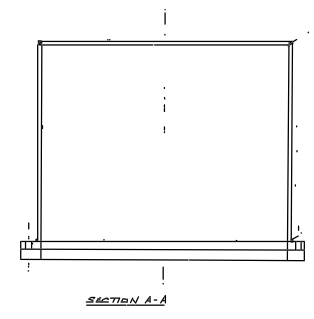
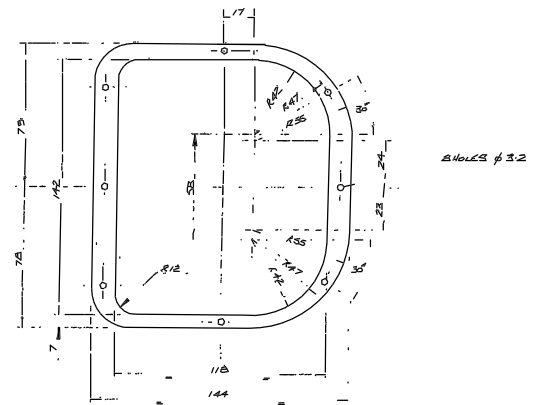
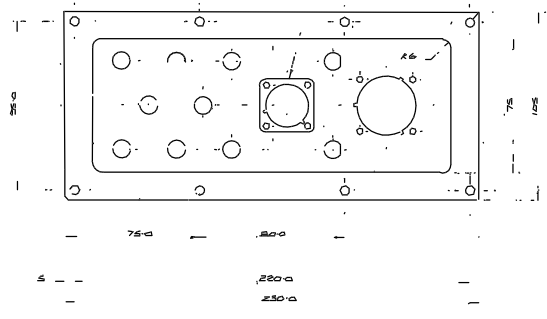
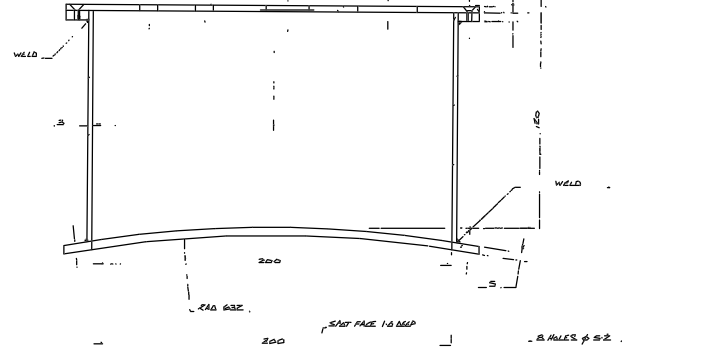
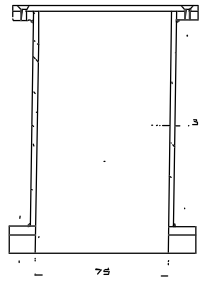
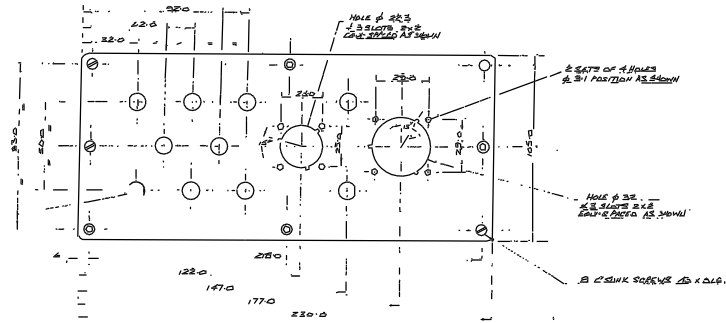
								TOLERANCES (UNLESS OTHERWISE STATED)		MATERIAL		DIM IN MM		SCALE 1: 1 & 1: 4		THIRD ANGLE PROJECTION		G.A. NO.	
								X: X /- 0.2		AL. ALLOY		1 PAIR		ROYAL GREENWICH OBSERVATORY		TITLE		DRG NO.	
								X: XX /- 0.2		FINISH		DRG NO. NO REQ		HERSTMONCEUX CASTLE		4.2M A&G CASE 1		DRG NO.	
ISSUE MOD. NO. DATE DRAWN BY ISSUE MOD. NO. DATE DRAWN BY								DEC 87 BTH		BL. ANODISE		USED ON V/FX/253		HAILSHAM EAST SUSSEX		FIXED CABLE TRAY		V /FV / 265	

Drawing No.  
W FV 258-259



										Tolerance Unless otherwise stated		Material		Dimns. in m.m.		Scale 1:1		THIRD ANGLE PROJECTION		GA No.	
										X +/- 0.25		AL ALLOY		ROYAL GREENWICH OBSERVATORY		4.2 A&G CASE 1		Drawing No.			
										X.X +/- -		Finish		HERSTMONCEUX CASTLE		Title		W FV 258-259			
										X.XX +/- -		BL ANODISE		HAILSHAM		CONNECTOR PANELS					
												Used on		SUSSEX							

Drig No.  
V/FV/256-257

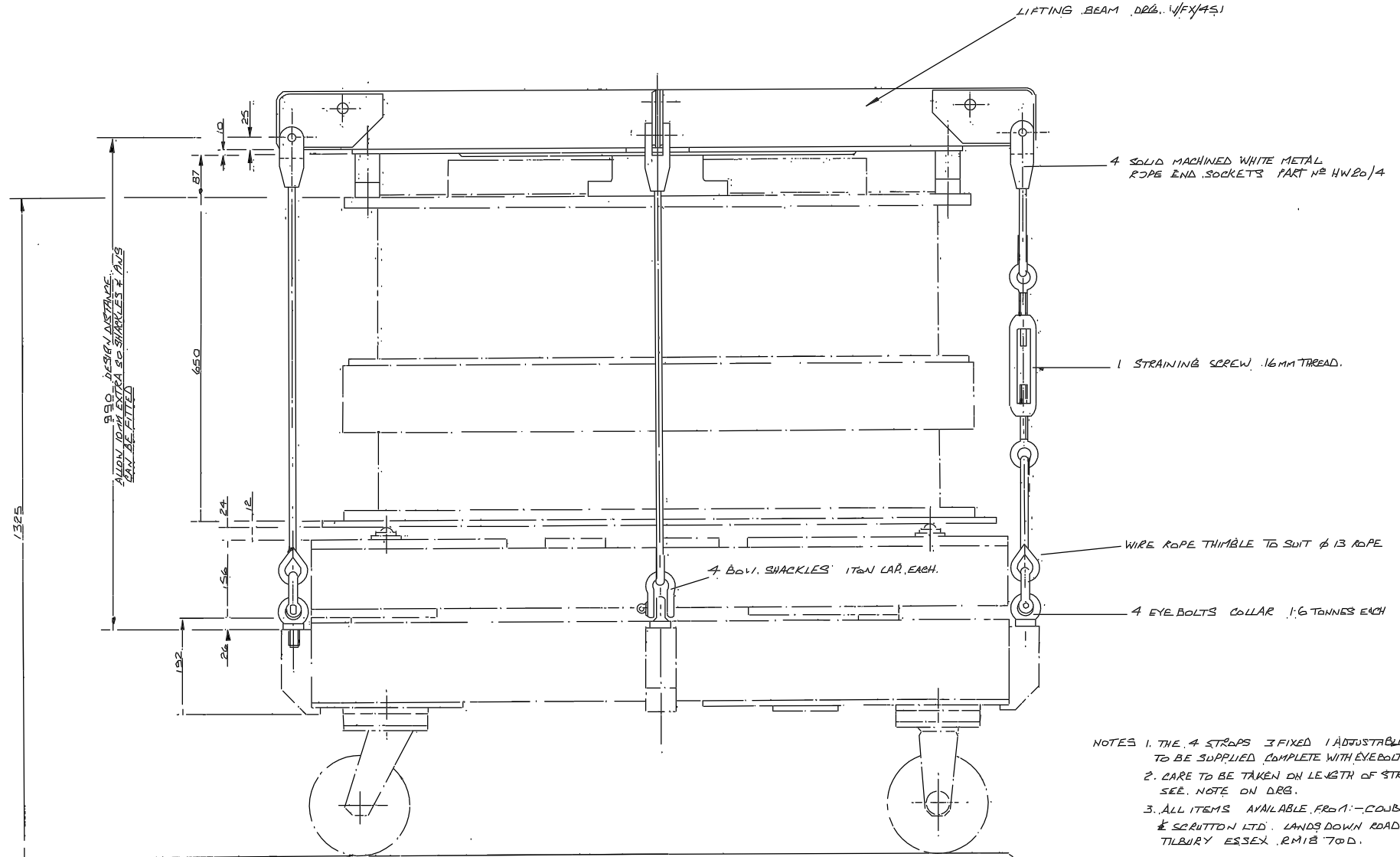


NOTE:- SLOT THROUGH FIXING HOLES IN A.S.Y. WITH CASE.

MAIN CABLE ENTRY PANEL  
 MATERIAL AL ALLOY  
 FINISH POLISHED  
 DESIGNED BY B.I. AUGHASE  
 DRAWN BY R.G.D. V/FV/256

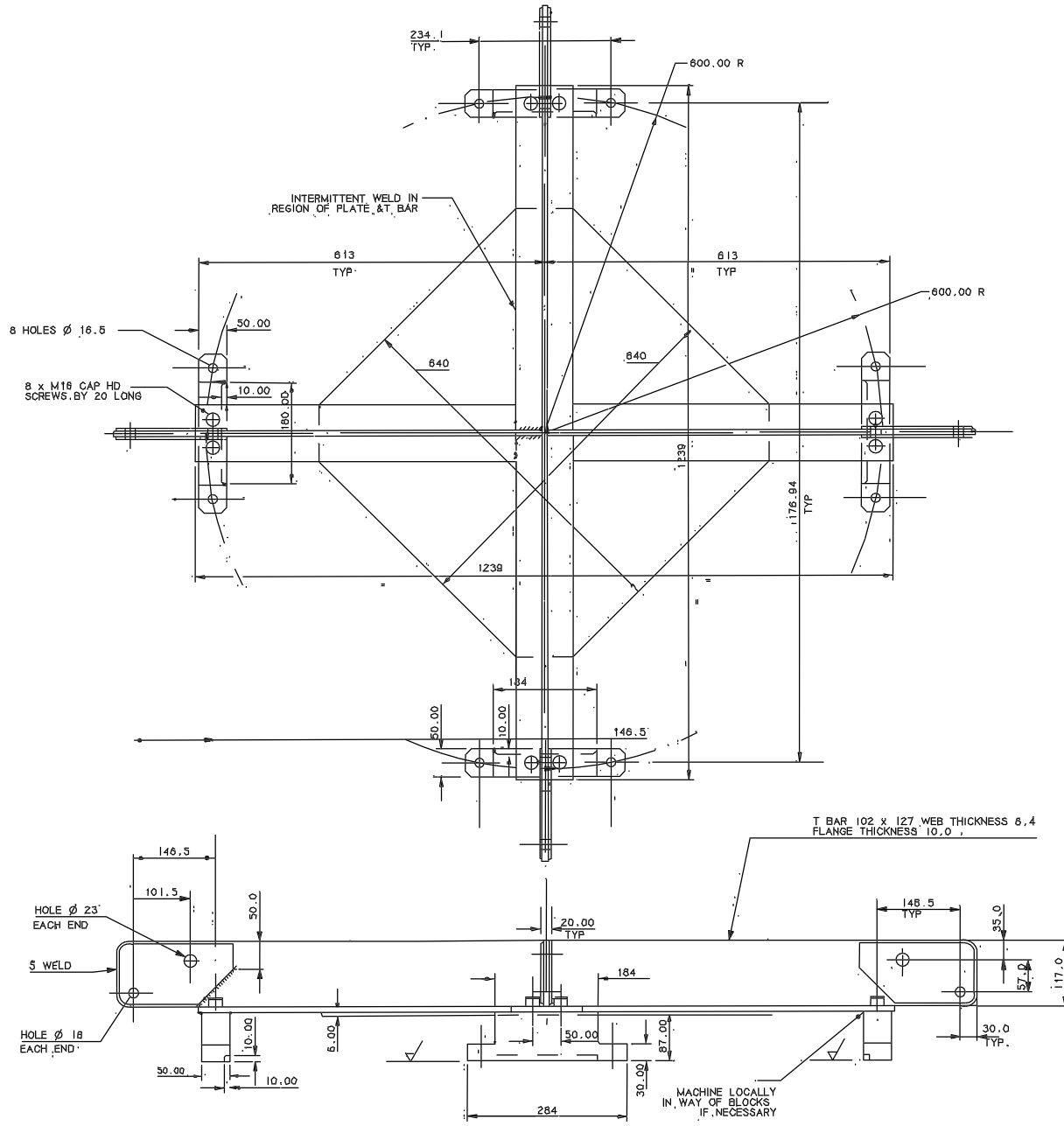
MAIN CABLE ENTRY PANEL  
 TOP HAT COVER  
 MATERIAL AL ALLOY  
 FINISH POLISHED  
 DESIGNED BY B.I. AUGHASE  
 DRAWN BY R.G.D. V/FV/257

Tolerances (Unless otherwise stated) X ± XX ± XXX ±						Material		Dimm. in m.m.		Scale	THIRD ANGLE PROJECTION	ROYAL GREENWICH OBSERVATORY, HERSTMONCEUX CASTLE, HAILSHAM		SUSSEX		Title		427 1/2" CASE DETAILS		Drawing No. V/FV/256-257	
Issue	Mod. No.	Date	Drawn By	Issue	Mod. No.	Date	Drawn By	JULY 57		B.I.	R.G.D.		B.I.		R.G.D.		V/FV/256-257		V/FV/256-257		



						Tolerances (Unless otherwise stated)		Material		Dimms in m.m.		Scale 1/4		THIRD ANGLE PROJECTION		G.A. No.	
						X ± 2.5		1 SET.		ROYAL GREENWICH OBSERVATORY,				4-21 A-Z B CASE I		Drawing No.	
						XX ±		Finish		HERSTMONCEUX CASTLE,				LIFTING ARRANGEMENT OF CASE TROLLEY		W/FX/452	
						.XXY ±		Used on		HAILSHAM SUSSEX,							
Issue	Mod No.	Date	Drawn By	Issue	Mod. No.	Date	Drawn By										

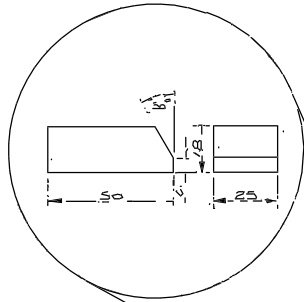




NOTES

1. STRESS RELIEVE WELDED PART OF BEAM
2. LOAD TEST LIFTING BEAM COMPLETE TO 2.25 TONNES AND PROVIDE TEST CERTIFICATE
3. PAINT ON SAFE WORKING LOAD OF 2000 Kg

										THIRD ANGLE PROJECTION		GA No.	
										ROYAL GREENWICH OBSERVATORY		Drawing No.	
										HERSTMONGUEUX CASTLE		W /FX/451	
										HAILSHAM SUSSEX			
										4.2 A&G LIFTING BEAM			
Issue	Mod.No	Date	Drawn by	Issue	Mod.No	Date	Drawn by	Tolerance (Unless otherwise stated)		Material	Dimns. in m.m.	Scale	
								X	+/-	0.5	MILD STEEL		
								X.X	+/-		Finish	Dwg.No.	No. Req.
								X.XX	+/-	0.05	P. PAINT YELLOW	Used on	

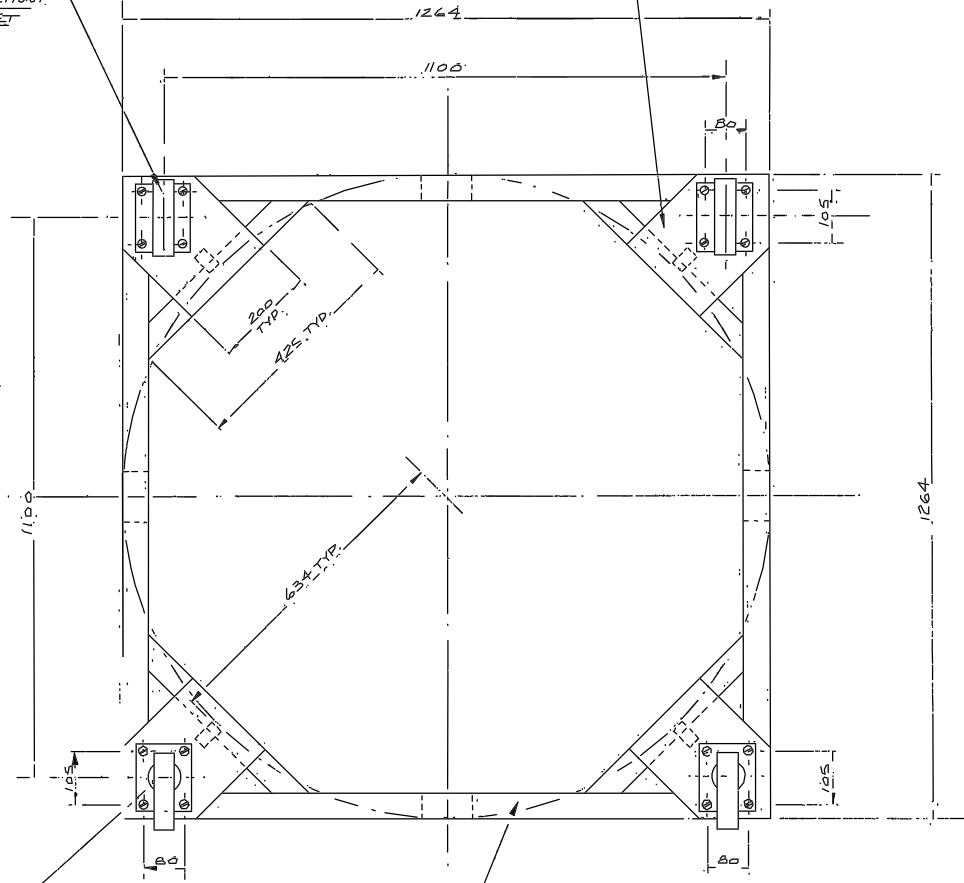
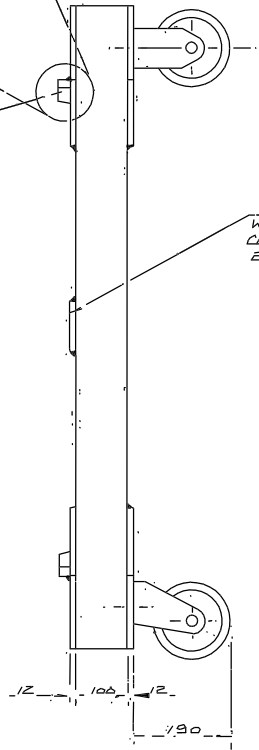


4 LOCATING BLOCKS  
POSITION AS SHOWN  
ON '634' RAD AND WELD

2 OFF FIXED CASTORS F.D.P.  
OBTAINABLE FROM KEY  
INDUSTRIAL EQUIPMENT  
BLACKMORE RD. VEREHOVT.  
WIMBORNE DORSET  
BH21 6AT.

4 PADS 100x50x12  
WELD INTO POSITION  
CENTRALLY ALONG  
EACH SIDE.

2 BRUSSET PLATES SIMILARLY  
SHAPED ONE EACH SIDE  
OF FRAME REPEAT ON EACH  
CORNER WELD INTO POSITION.

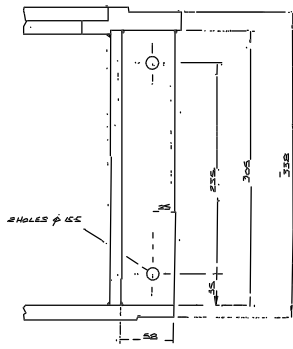


2 OFF SWIVEL CASTORS S.D.P.  
OBTAINABLE FROM KEY INDUSTRIAL  
EQUIPMENT BLACKMORE RD.  
VEREHOVT WIMBORNE DORSET BH21 6AT.

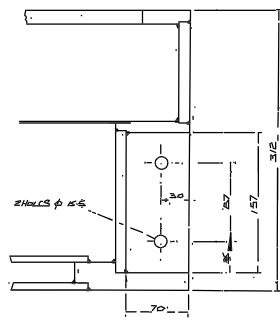
RECTANGULAR HOLLOW TUBE  
100x50x5 WALL THICKNESS  
OBTAINABLE FROM YEOWAT  
RUTHEL FORD WAY CRAWLEY SUSSEX.

NOTE. TEST LOAD FOR 1500 kgs  
STENCIL ON FRAME S.W.L. 1500 kgs

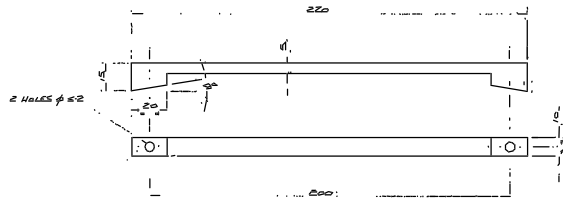
						Tolerances (Unless otherwise stated)		Material		Dimms in m.m.		Scale 1/5		THIRD ANGLE PROJECTION		G.A. No.	
						X ± 1.0		MILD STEEL						ROYAL GREENWICH OBSERVATORY, HERSTMONCEUX CASTLE, HAILSHAM .SUSSEX.		Drawing No.	
						XX ±		Finish		. Drg. No.		No. Req.		Title		W/FX/450	
						XXX ±		YELLOW PAINT		Used on				TEMPORARY HANDING TROLLEY			



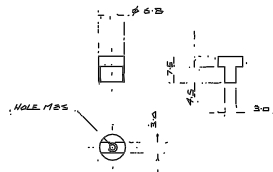
TOP SECTION WEB DETAIL  
TYPICAL SECTION ON X-X  
1/2 SCALE



BOTTOM SECTION WEB DETAIL  
TYPICAL SECTION ON Y-Y  
1/2 SCALE



M.D.M. MOUNTING PLATE SPINDLE  
SCALE 1:1 1/2 OFF  
MATERIAL ALUMINIUM



M.D.M. MOUNTING STUD  
SCALE 2:1 25 OFF  
MATERIAL STAINLESS STEEL

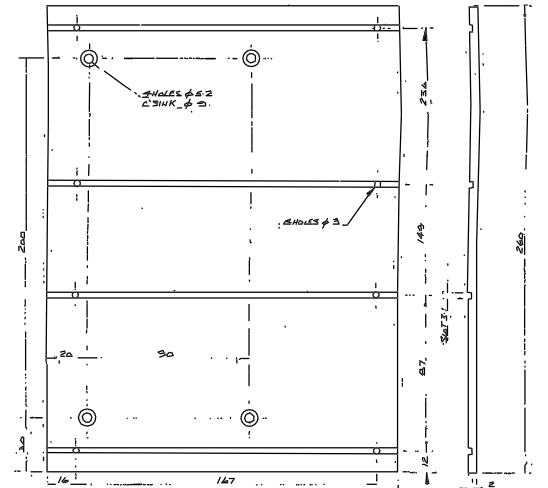
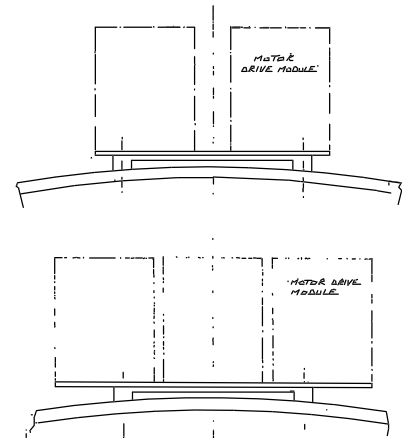
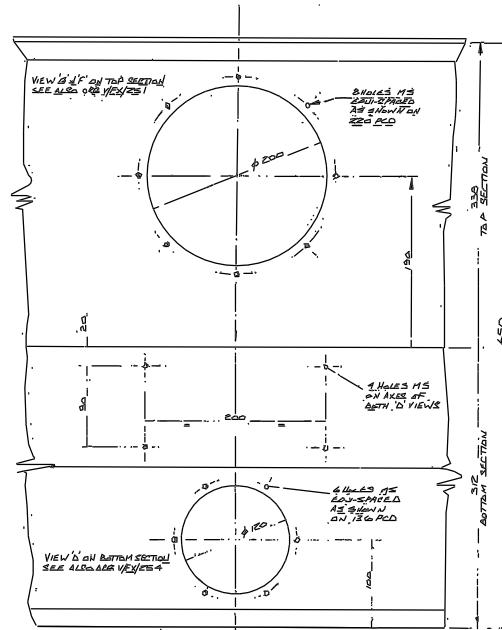


PLATE SIZE FOR 2 M.D.M.  
SCALE 1:1 1/2 OFF  
MATERIAL TITANIUM (GIEP BRAND)

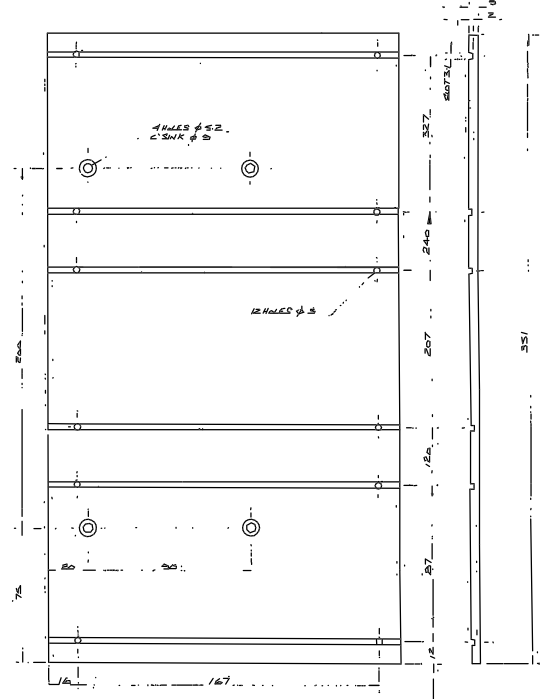


PLATE SIZE FOR 3 M.D.M.  
SCALE 1:1 1/2 OFF  
MATERIAL TITANIUM (GIEP BRAND)

Issue	Mod. No.	Date	Drawn By	Issue	Mod. No.	Date	Drawn By
				APRIL 67			BTJH

Tolerances (unless otherwise stated)  
X ±  
XX ±  
XXX ±

Material	Finish	Dim. in m.m.	Scale 2:1 1/2 ± 1:2
		ROYAL GREENWICH OBSERVATORY, HERSTMONCEUX CASTLE, HAILSHAM	SUSSEX

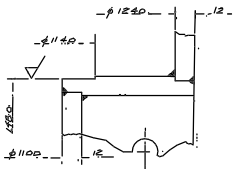
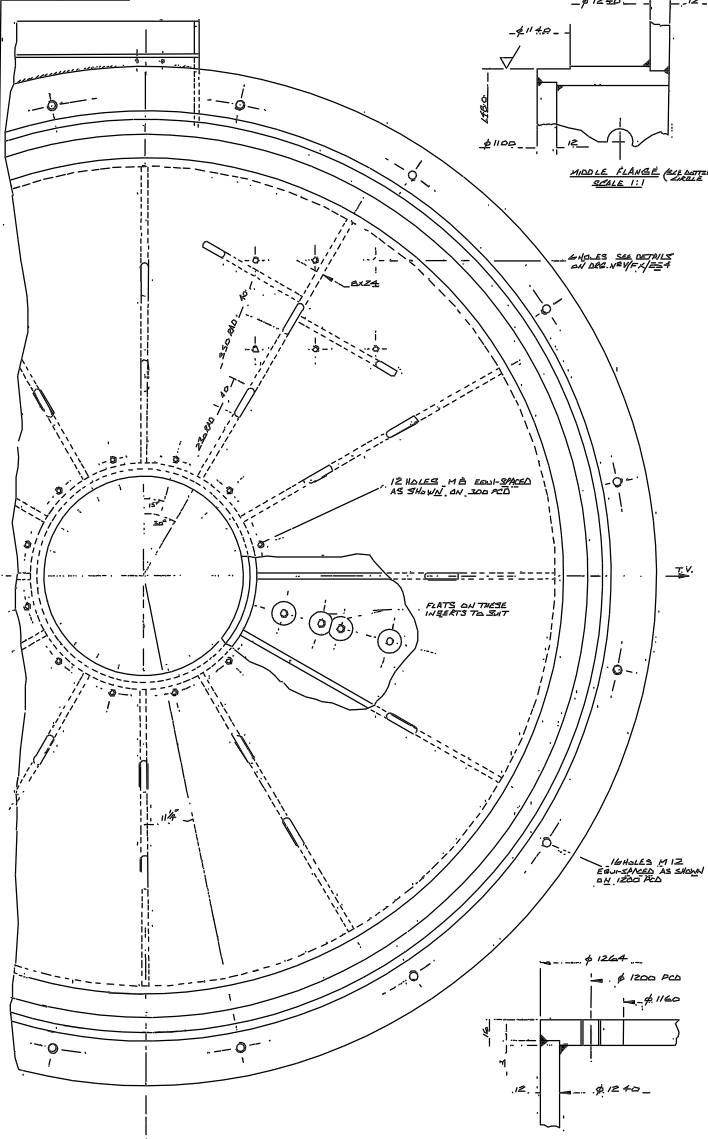
Dig. No.	No. Rev.	Used on

THIRD ANGLE PROJECTION  
T.M.A.E.G. CASE 1  
DETAILS

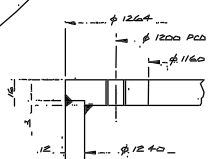
G.A. No.  
Drawing No.  
V/FX/255

DRAWING NUMBER	No. of Sheets	G.A. Item No.	DRAWING TITLE OR COMPONENT NAME	No. of	MATERIAL STOCK OR ORDER No. AND DATE	REMARKS	ISSUE DATE	ISSUED TO	FINISH DATE
W/FU/005 			TOP HAT COVER TOP OF CASE	1					
W/FV/008A 			OPTICS COATING PLATE FOR SMALL FEED FLAT	1					
W/FV/008B 			OPTICS COATING PLATE FOR SLIT RELAY	1					
W/FV/019A 			OPTICS COATING PLATE FOR ACQUISITION FLAT	1					
W/FX/002A 			OPTICS COATING PLATE FOR LARGE FEED FLAT	1					
V/FV/256 			MAIN CABLE ENTRY	1					
V/FV/257 			TOP HAT COVER MAIN FILTER SLIDE MOTORS	1					
W/FV/258/3 			CONNECTOR PANELS	1					
V/FV/265 			FIXED CABLE TRAY	1					
V/FV/266 			ROTATING CABLE TRAY	1					
W/FV/267 			FAN MOUNTING PLATE	1					
W/FV/268 			EXHAUST COWL	1					
V/FV/269 			EXTERNAL CABLE TRAYS	3					
V/FV/270 			ASSY & DETAIL CABLE GUIDE						
V/FX/251 			TOP SECTION CASE 1						
V/FX/252 			TOP SECTION PORT DETAILS						
V/FX/253 			BOTTOM SECTION CASE 1						
V/FX/254 			BOTTOM SECTION "						
V/FX/255 			CASE DETAILS						
W/FX/450 			TEMPORARY HANDLING TROLLEY						
W/FX/451 			4.2M AEG LIFTING BEAM						
W/FX/452 			LIFTING ARREST. OF CASE & TROLLEY						
			" "						
JOB TITLE						ASSY DRG. No.	SHEET No.	DRAWN BY	
4.2M AEG CASE 1 & ASSOCIATED DETAILS								DATE	
ROYAL GREENWICH OBSERVATORY,						HERSTMONGUEX CASTLE,	HAILSHAM,	SUSSEX	

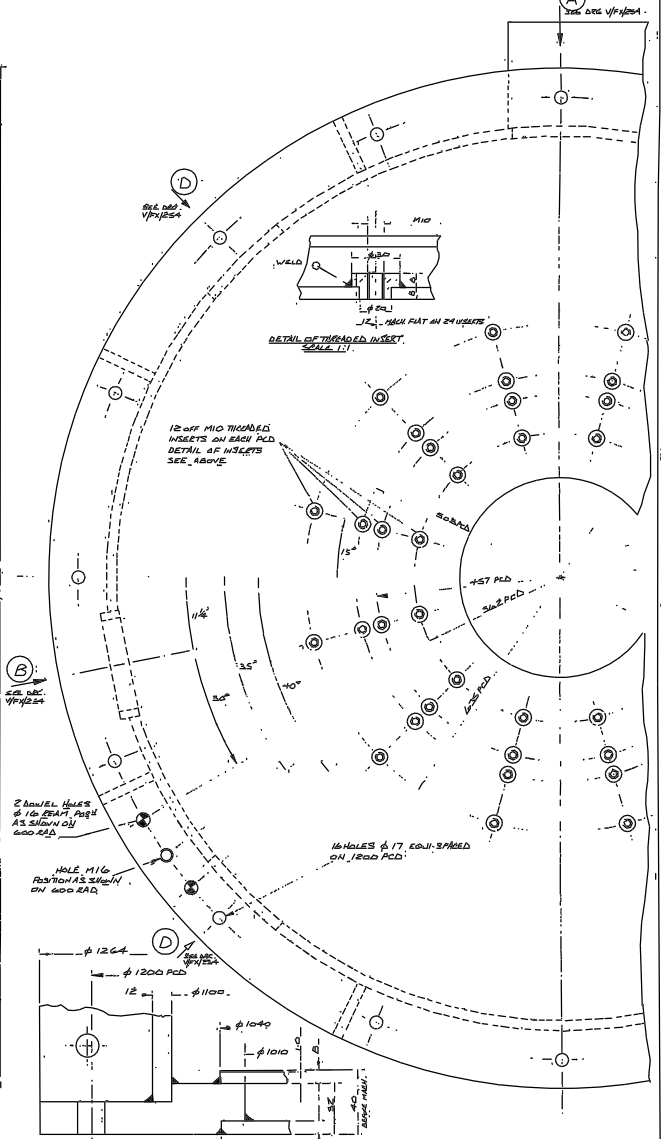
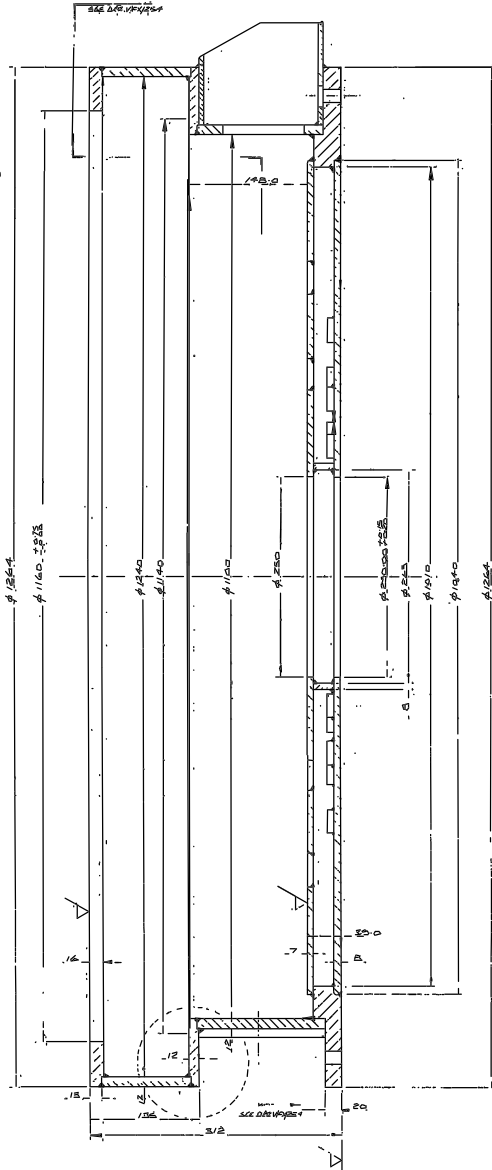
Drig No  
V/FX/253



MIDDLE FLANGE (AS DOTTED) SCALE 1:1

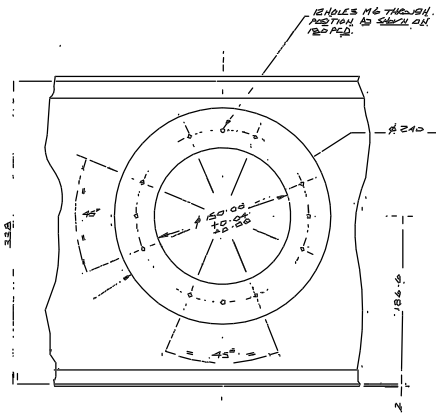


DETAIL OF TOP FLANGE SCALE 1:1

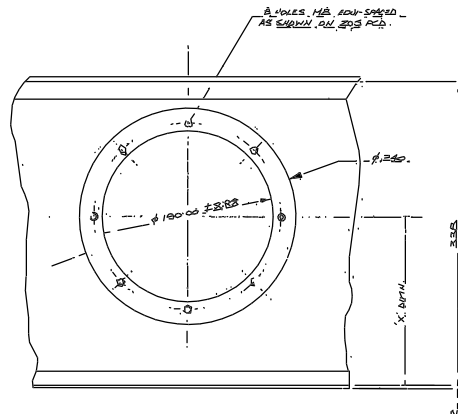


DETAIL OF BOTTOM FLANGE SCALE 1:1

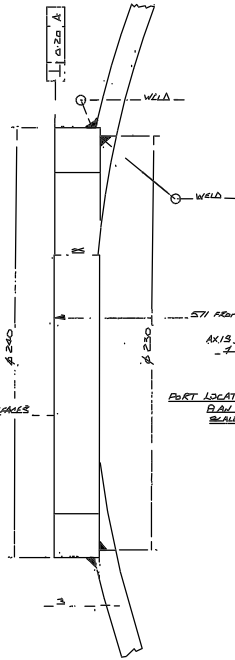
<table border="1"> <tr> <td>Issue</td> <td>Mutl No</td> <td>Date</td> <td>Drawn By</td> </tr> <tr> <td></td> <td></td> <td></td> <td></td> </tr> <tr> <td></td> <td></td> <td></td> <td></td> </tr> <tr> <td></td> <td></td> <td></td> <td></td> </tr> <tr> <td></td> <td></td> <td></td> <td></td> </tr> <tr> <td></td> <td></td> <td></td> <td></td> </tr> </table>				Issue	Mutl No	Date	Drawn By																					<table border="1"> <tr> <td>Material</td> <td>MILD STEEL WELDABLE</td> </tr> <tr> <td>Finish</td> <td>SEE NOTES ON D0011 V/FX/251</td> </tr> </table>				Material	MILD STEEL WELDABLE	Finish	SEE NOTES ON D0011 V/FX/251	<table border="1"> <tr> <td>Drawn by</td> <td>Scale</td> <td>1/2 d. 1/1</td> </tr> <tr> <td>Drig No.</td> <td>No Rns.</td> <td></td> </tr> <tr> <td>Used on</td> <td></td> <td></td> </tr> </table>				Drawn by	Scale	1/2 d. 1/1	Drig No.	No Rns.		Used on			<table border="1"> <tr> <td>Third Angle Projection</td> <td>ROYAL GREENWICH OBSERVATORY, HERSTMONCEUX CASTLE, HAILSHAM, SUSSEX.</td> </tr> <tr> <td>Case I</td> <td></td> </tr> <tr> <td>Bottom Section</td> <td></td> </tr> </table>				Third Angle Projection	ROYAL GREENWICH OBSERVATORY, HERSTMONCEUX CASTLE, HAILSHAM, SUSSEX.	Case I		Bottom Section		<table border="1"> <tr> <td>G.A. No.</td> <td>V/FX/253</td> </tr> <tr> <td>Drawing No.</td> <td></td> </tr> </table>		G.A. No.	V/FX/253	Drawing No.	
Issue	Mutl No	Date	Drawn By																																																													
Material	MILD STEEL WELDABLE																																																															
Finish	SEE NOTES ON D0011 V/FX/251																																																															
Drawn by	Scale	1/2 d. 1/1																																																														
Drig No.	No Rns.																																																															
Used on																																																																
Third Angle Projection	ROYAL GREENWICH OBSERVATORY, HERSTMONCEUX CASTLE, HAILSHAM, SUSSEX.																																																															
Case I																																																																
Bottom Section																																																																
G.A. No.	V/FX/253																																																															
Drawing No.																																																																



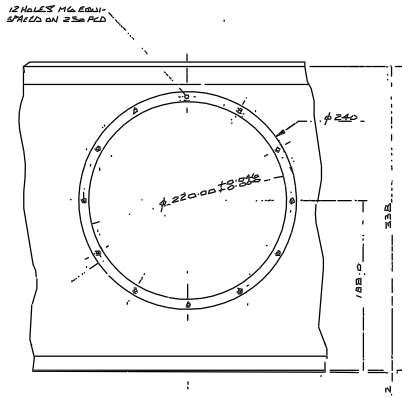
PART VIEW IN DIRECTION ARROW E  
INTEGRATION SPECTRE MOUNT  
EXPLANATION FIELD VIEW MOUNT.



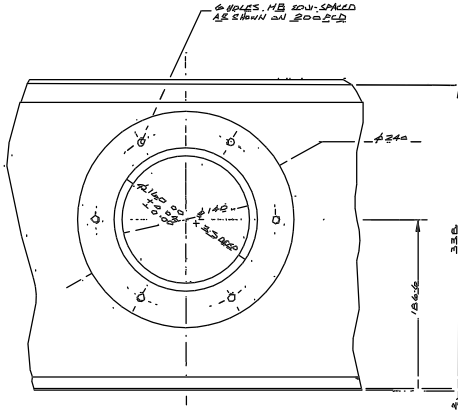
PART VIEW IN DIRECTION ARROW A & B  
A - SUT VIEWING PROBE MOUNTING X DIM 150  
B - CIVIL FIELD PCD PROBE MOUNTING X DIM 150



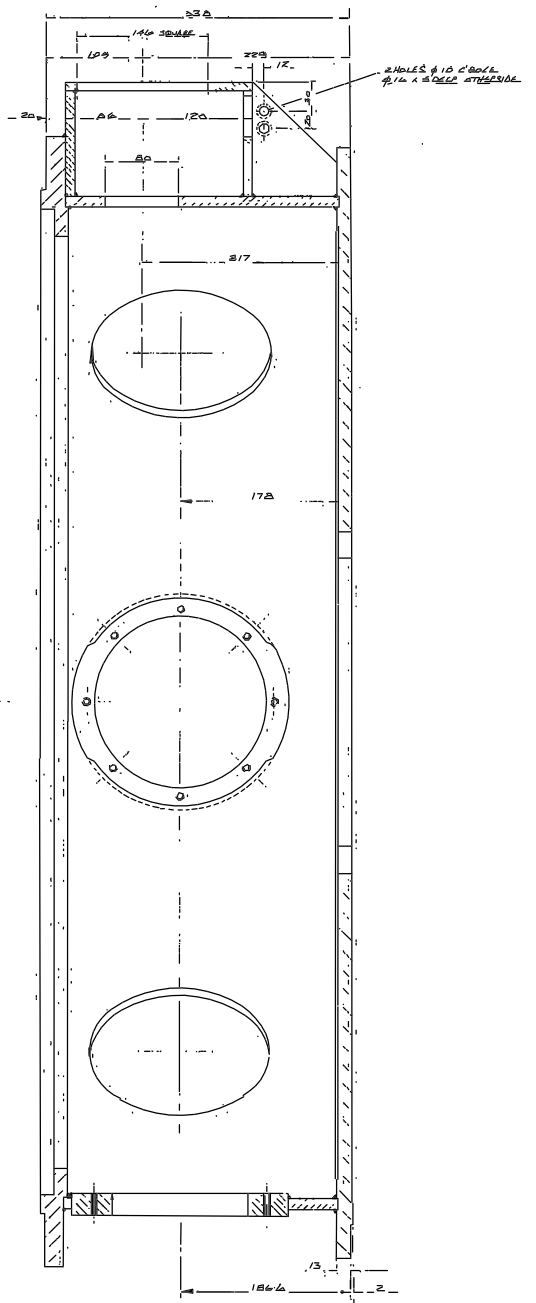
AXIS OF HOLES, COMPARED  
TO FIBRE OPTIC SECTION  
PART LOCATION DETAIL TOP  
BOTH VIEW  
SCALE V1



PART VIEW IN DIRECTION ARROW D  
FIBRE OPTIC APERTURE PLATE MOUNT

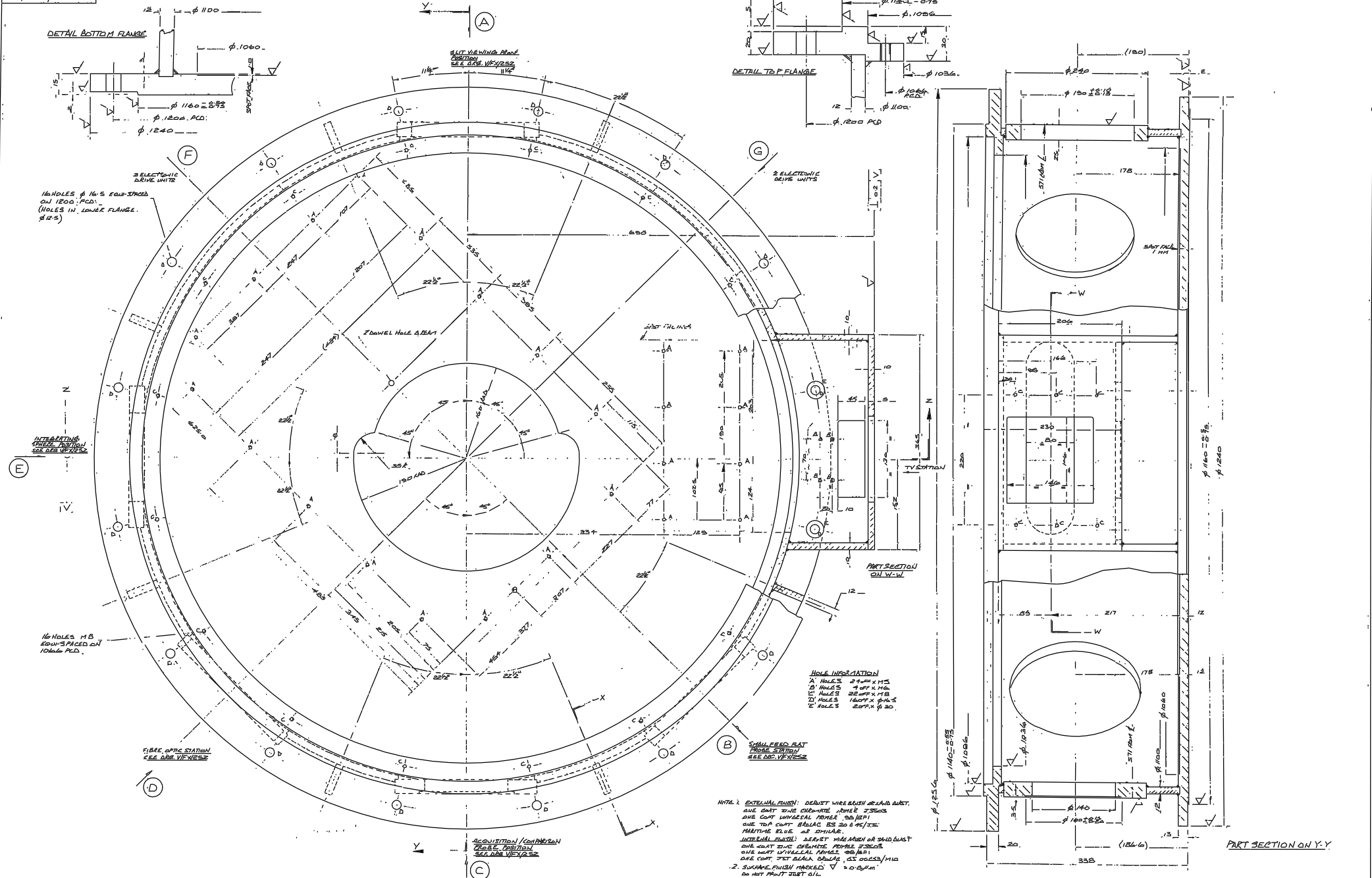


PART VIEW IN DIRECTION ARROW C  
ACQUISITION COMPASSION / PROBE MOUNT



SECTION Z-Z  
SEE DRG V/FX/251

Issue		Mod No.		Date		Drawn By		Issue		Mod No.		Date		Drawn By		Tolerances (Unless otherwise stated)		Material		Dim's in mm		Scale 1/2 & 1/1		Title		G.A. No.	
																1		MILD STEEL		ROYAL GREENWICH OBSERVATORY, HERSTMONCEUX CASTLE, HAILSHAM		THIRD ANGLE PROJECTION 4-20 A & B CASE II		Drawing No.			
																X ± 0.5 XX ± XXX ±		Finish SEE NOTE ON DRG V/FX/251		Dwg No		No Req		TOP SECTION PORT DETAILS		V/FX/252	



Tolerances Unless otherwise stated:						Material: MILD STEEL WELDMENT		Dimms in mm.		Scale: HALF FULL SIZE		THIRD ANGLE PROJECTION		G.A. No.	
X ± 0.5						Finish: SEE NOTE		Drwg No. No Rev		ROYAL GREENWICH OBSERVATORY, HERSTMONCEUX CASTLE, HAILSHAM, SUSSEX.		Title: 424 A X G CASE I		Drawing No.	
X.X ±								Used on				TOP SECTION		V/FX/251	
X.XX ±															