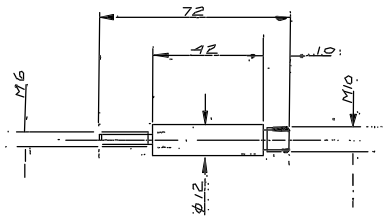
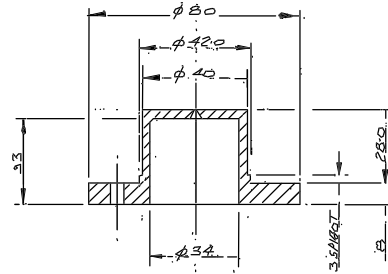
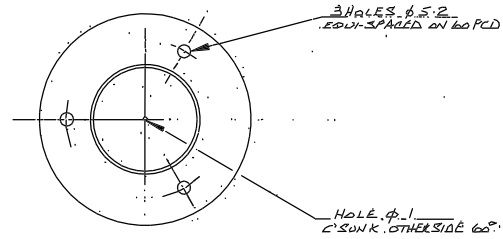


Drawing No.

W/FX/057/7-8



18		TITLE PILLAR	
MATERIAL BRASS	SCALE 1:1	TOLERANCES A ±0.2	
FINISH 2	NO REQ. PER UNIT 2	XX XXX	
G.A. No. W/FX/050	DRAWING No. R.G.O. W/FX/057/7		



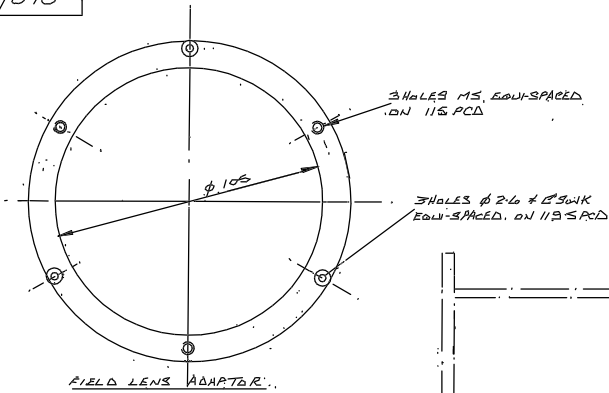
19		TITLE TARGET 'E'	
MATERIAL BRASS	SCALE 1:1	TOLERANCES X ±0.2	
FINISH BL. NICKEL	NO REQ. PER UNIT 1	XX XXX	
G.A. No. W/FX/050	DRAWING No. R.G.O. W/FX/057/8		

				Tolerances (Unless otherwise stated): X ± XX ± XXX ±				Material		Dimms in m.m.		Scale		THIRD ANGLE PROJECTION		G.A. No.		
				X		XX		Finish		ROYAL GREENWICH, OBSERVATORY, HERSTMONCEUX CASTLE, HAILSHAM		Title		420 X 60 ALIGNMENT DETAILS		Drawing No.		
Issue	Mod. No.	Date	Drawn By	Issue	Mod. No.	Date	Drawn By	Used on	Drq. No.	No. Req.	SUSSEX,				W/FX/057/7-8			

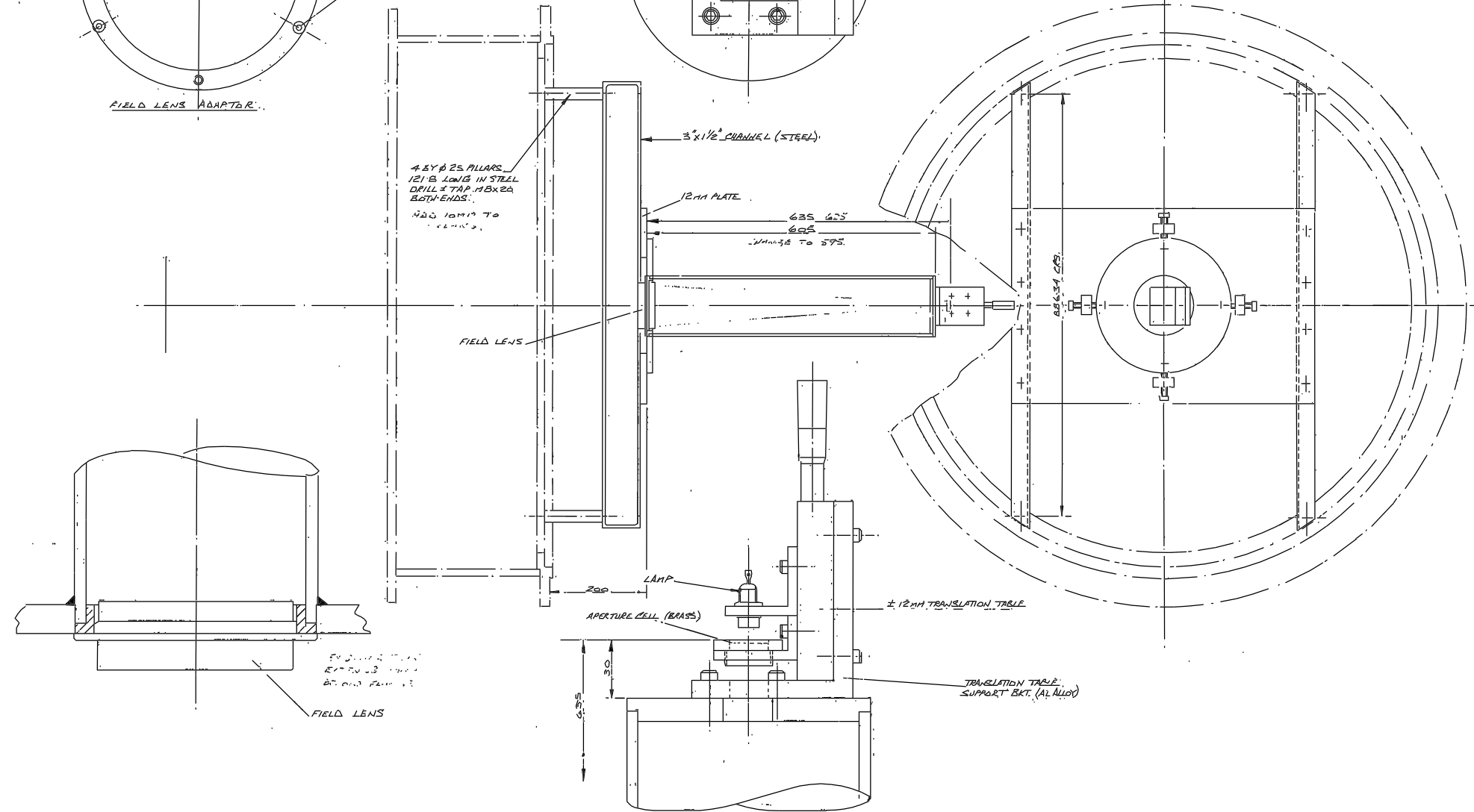
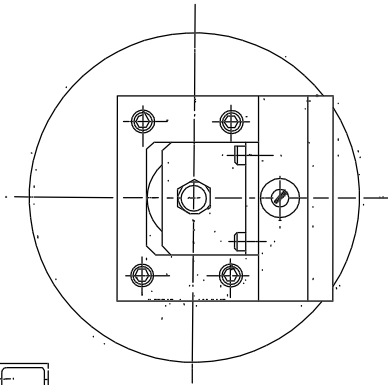
DRAWING NUMBER	No. of Sheets	G.A. Item No.	DRAWING TITLE OR COMPONENT NAME	No. of	MATERIAL STOCK CR ORDER No, ANL DATE	REMARKS	ISSUE DATE	ISSUED TO	FINISH DATE
V/FX/050			ASSEMBLY 4.2M ALIGNMENT GEAR						
W/FX/051		1	ALIGNMENT FRAME	1					
W/FX/052		2	BRACKET	1					
W/FX/053		3	FOCAL PLANE ADAPTOR	1					
W/FX/054		4	FOCAL PLANE PLATE 'A'	1					
W/FX/055		5	FOCAL PLANE PLATE 'B'	1					
W/FX/056/1		6	FOCAL PLANE MIRROR MOUNT	1					
W/FX/056/2		7	BEAM SPLITTER MOUNT	1					
W/FX/056/3		8	TARGET 'A'	1					
W/FX/056/4		9	TARGET 'B'	1		DISCOVERED			
W/FY/056/5		10	TARGET 'C'	1					
W/FX/056/6		11	TARGET 'D'	1					
W/FX/057/1		12	SPINDLE	2					
W/FX/057/2		13	MIRROR MOUNT	1					
W/FX/057/3		14	PLATE	1					
W/FX/057/4		15	CLIP	2					
W/FX/057/5		16	CLIP	4					
W/FX/057/6		17	BEAM CLAMP	1					
W/FX/057/7		18	FILLAR	2					
W/FX/057/8		19	TARGET 'E'	1					
W/GJ/015		20	LASER PLATE	1					
W/GJ/029		21	LOCATING RING	2					
		22							
W/FX/058/3		23	LOCATING DISC	2					
W/FX/058/4		24	WASHER	4					
N.D.		25	MIRROR 25 DIA. x 6 M101	1	OPTICAL WORKS 1101				
N.D.		26	MIRROR 25x25 x 6, 02AF6 001	1	MELES BRIDOT				
N.D.		27	BEAM SPLITTER 03ASC*009	1					
N.D.		28	SPRING COMPRESSION	2	TERRY				
N.D.		29	SPRING COMPRESSION	1	TERRY				
		30	M10 KID8 LET	1					
		31							
N.D.		32	LASER ROFIN	1					
		33							
		34							
		35							
JOB TITLE						ASSY DRC. No.	SHEET No.	DRAWN BY	
4.2M A+G ALIGNMENT.						V/FX/050	1 of 2	BTH	
ROYAL GREENWICH OBSERVATORY,						HERSTMONCEUX CASTLE,	HAILSHAM,	DATE NOV 86	
								SUSSEX	

Drawing No.

W/FX/070



FIELD LENS ADAPTER.



4 x Ø 25 PILLARS  
12118 LENS IN STEEL  
DRILL & TAP M8x22  
BOTH ENDS.  
ADD 10mm TO  
LENGTH.

635 625  
605  
CHANGE TO 575

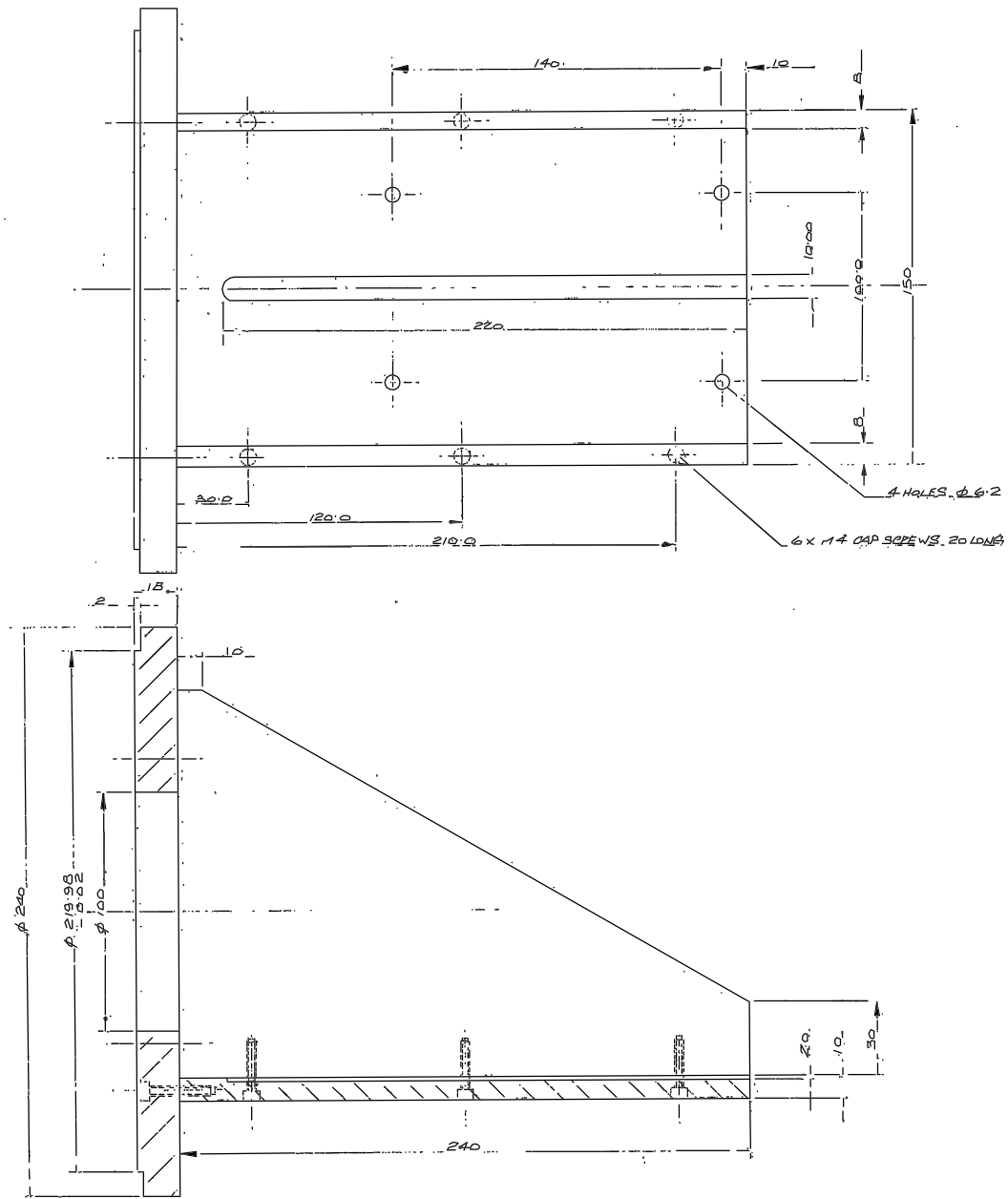
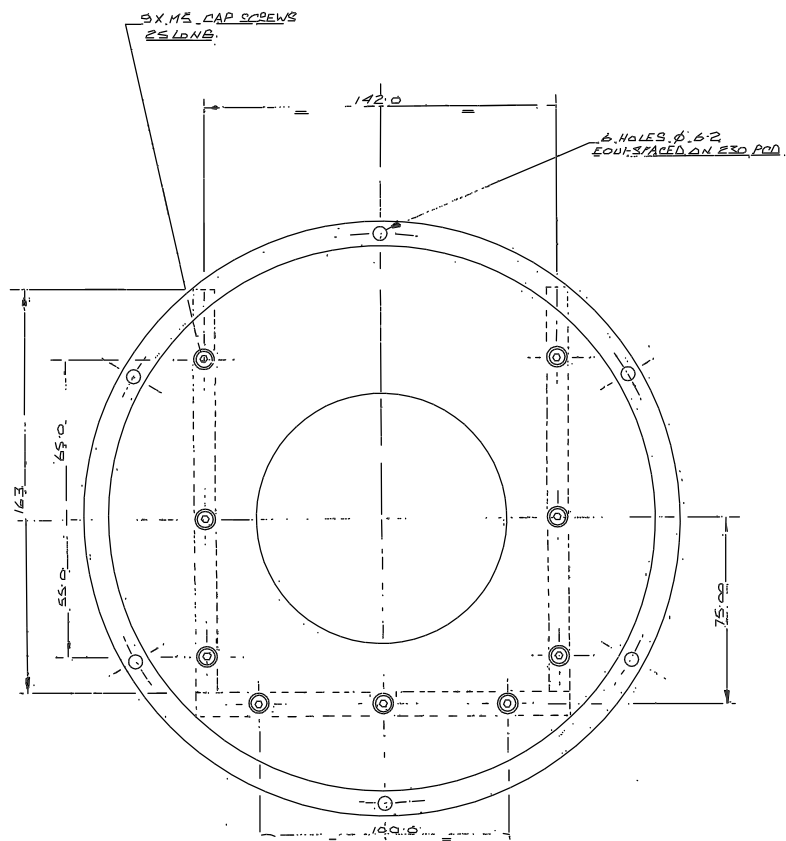
FIELD LENS

TRANSLATION TABLE  
SUPPORT BKT. (AL ALLOY)

								Material MILD STEEL & AL. ALLOY		Dimns. in m.m.		Scale 1/4" = 1"		THIRD ANGLE PROJECTION				G.A. No.	
								Finish NONE		ROYAL GREENWICH OBSERVATORY, HERSTMONCEUX CASTLE, HAILSHAM SUSSEX.				Title 12118 ALG CASE I TOP SECTION ALIGNMENT SYSTEM.				Drawing No.	
										Used on								W/FX/070	
Issue	Mod. No.	Date	Drawn By	Issue	Mod. No.	Date	Drawn By												

Drawing No:

W/FX/064



Issue	Mod. No.	Date	Drawn By	Issue	Mod. No.	Date	Drawn By

Tolerances (Unless otherwise stated)  
 X  $\pm$   
 XX  $\pm$   
 XXX  $\pm$

Material  
**AL. ALLOY**  
 Finish

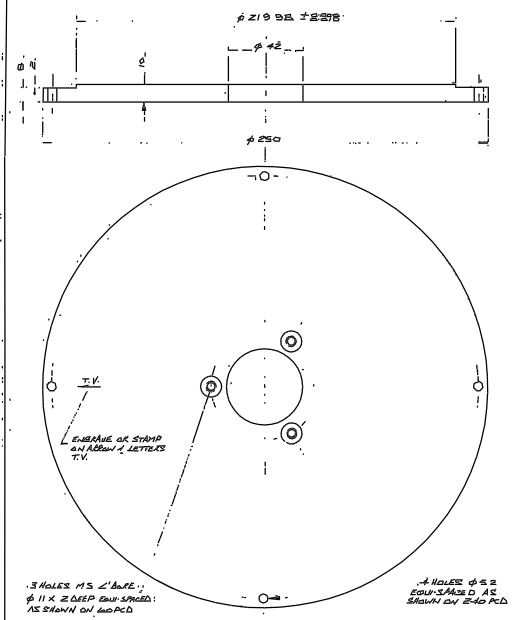
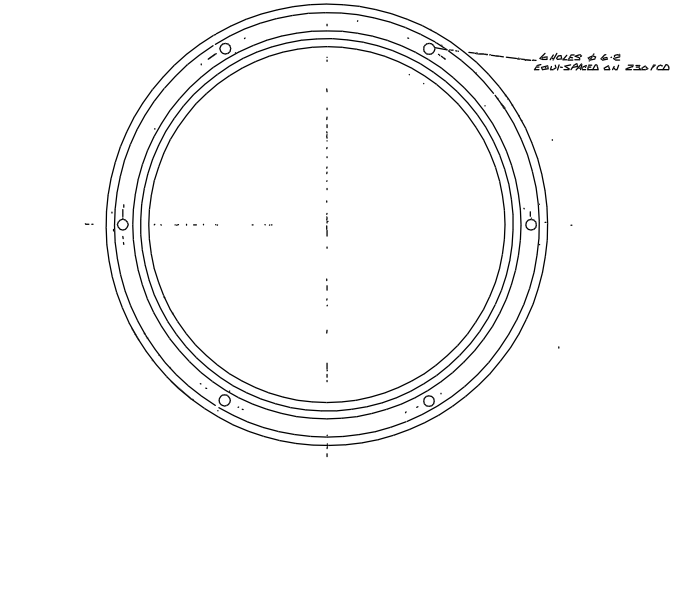
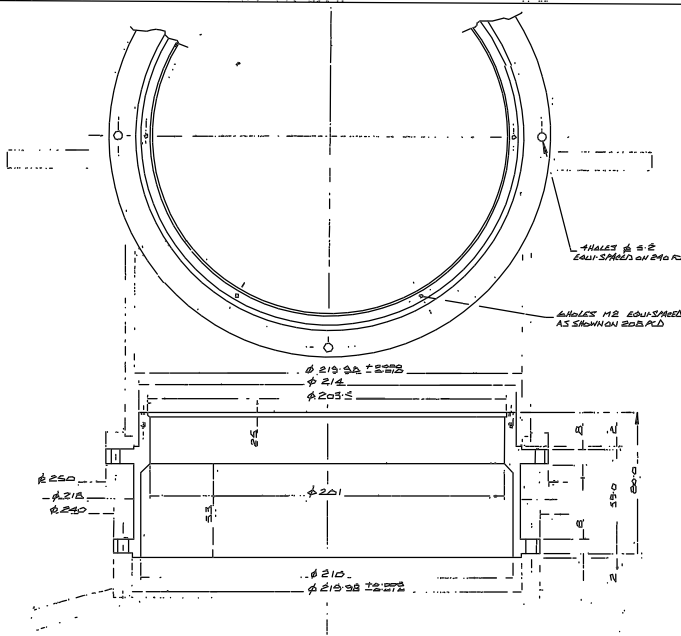
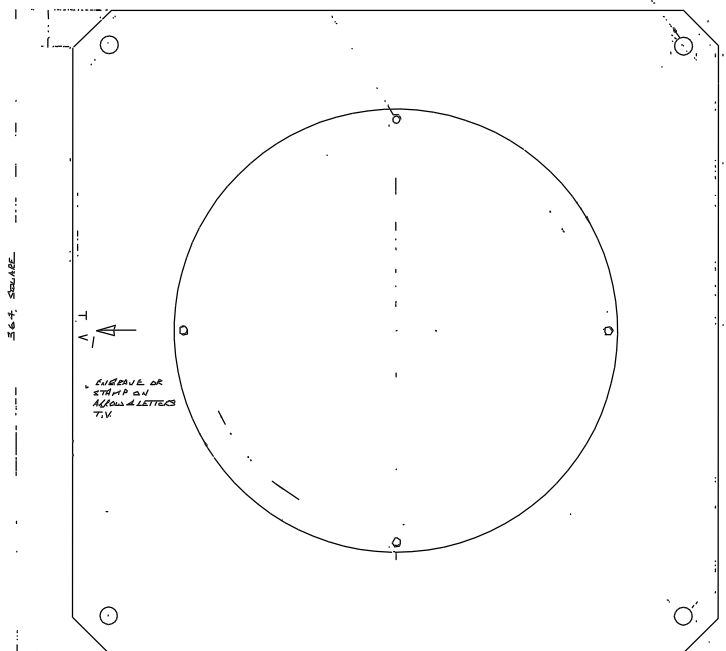
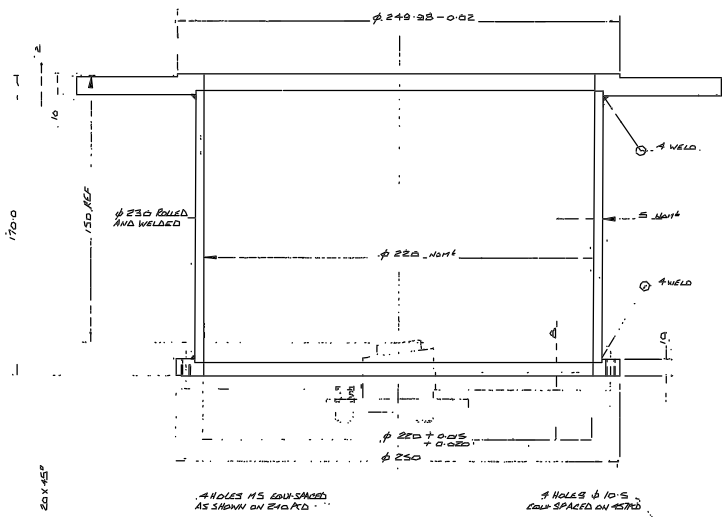
Draw. No.  
 No. Rtg.  
 Used on

Dimms. in m.m.  
 Scale 1:1  
 ROYAL GREENWICH OBSERVATORY,  
 HERSTMONCEUX CASTLE,  
 HAILSHAM, SUSSEX.

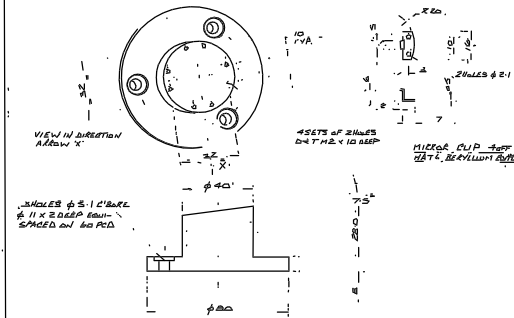
THIRD ANGLE PROJECTION  
**12H AYB CASE I ALIGNMENT**  
**BRACKET**

G.A. No.  
 Drawing No.  
**W/FX/064**

Drw No  
V/FX/063/1-4



53 FOCAL PLANE ADAPTER		54 FULL FIELD FOCAL SCREEN MOUNTING	
MATERIAL	SCALE	MATERIAL	SCALE
AL ALLOY	1:1	AL ALLOY	1:1
DATE	REVISED	DATE	REVISED
V/FX/050	R.G.D. V/FX/063/1	V/FX/050	R.G.D. V/FX/063/2



53 FOCAL PLANE ADAPTER	
MATERIAL	SCALE
AL ALLOY	1:1
DATE	REVISED
V/FX/050	R.G.D. V/FX/063/1

54 FULL FIELD FOCAL SCREEN MOUNTING	
MATERIAL	SCALE
AL ALLOY	1:1
DATE	REVISED
V/FX/050	R.G.D. V/FX/063/2

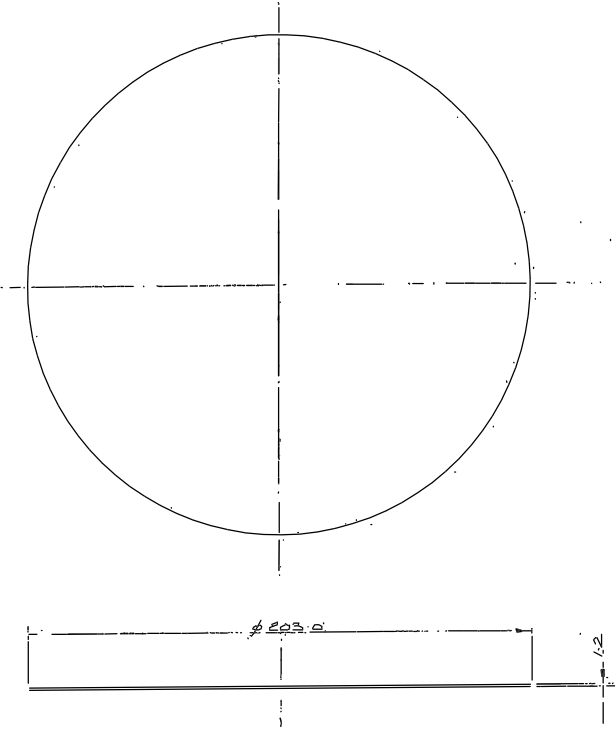
56 FOCAL PLANE MIRROR MOUNT	
MATERIAL	SCALE
AL ALLOY	1:1
DATE	REVISED
V/FX/050	R.G.D. V/FX/063/4

Issue	Mod. No.	Date	Drawn By	Issue	Mod. No.	Date	Drawn By

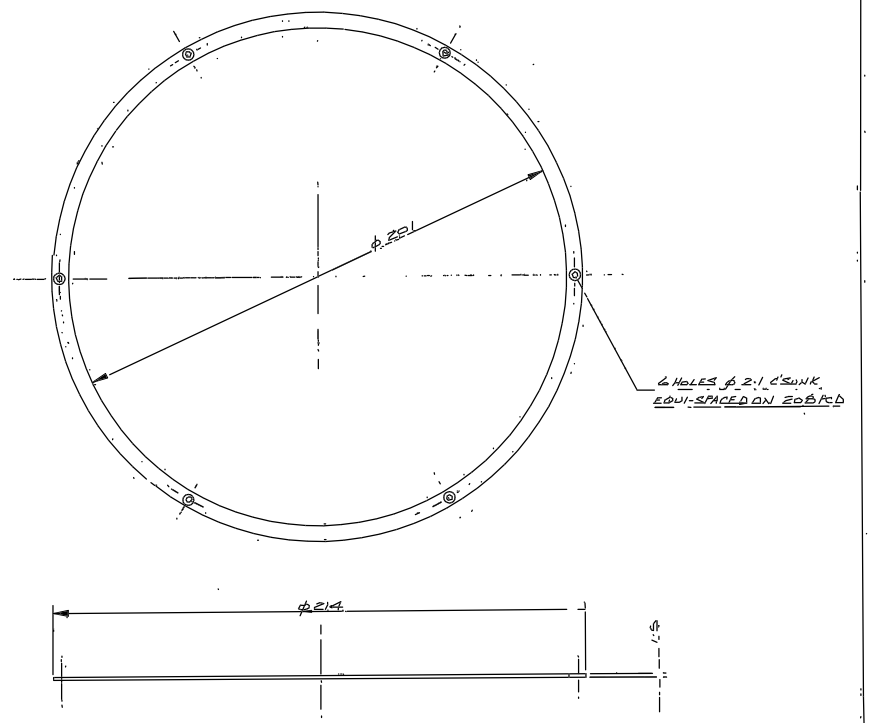
Total mass (Unless otherwise stated)	Material	Dimm. in m.m.	Scale
X 2	Finish		
XX 2			
XXX 2			

THIRD ANGLE PROJECTION		G.A. No.	
ROYAL GREENWICH OBSERVATORY, HERSTMONCEUX CASTLE, HAILSHAM		Drawing No.	
ALIGNMENT DETAILS		V/FX/063/1-4	

Drawing No.  
W/FX/062/1-2



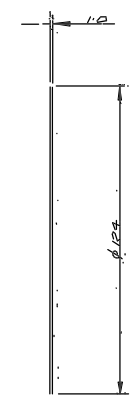
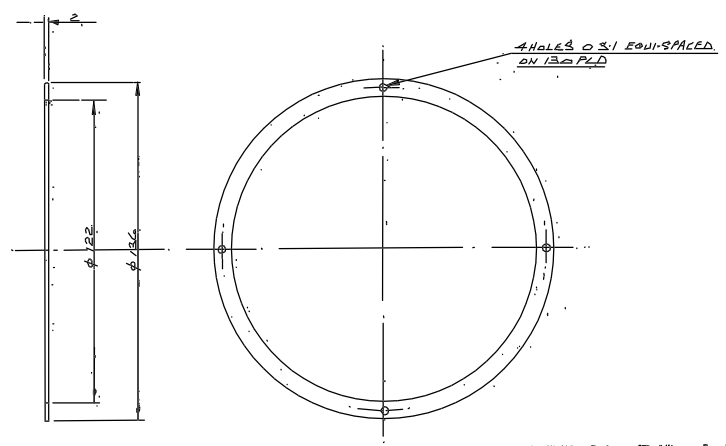
TITLE GLASS DISC		
MATERIAL FLOAT GLASS	SCALE 1:1	TOLERANCES X XX $\pm 0.2$ XXX
FINISH 2	NO REQS PER UNIT 2	
G.A. No.	DRAWING No. R.G.O. W/FX/061/2	



TITLE BEZEL RING		
MATERIAL AL ALLOY	SCALE 1:1	TOLERANCES X $\pm 0.2$ XX XXX
FINISH 1	NO REQS PER UNIT 1	
G.A. No.	DRAWING No. R.G.O. W/FX/061/1	

				Tolerances (Unless otherwise stated)				Material		Dimms in m.m.		Scale		THIRD ANGLE PROJECTION		G.A. No.	
				X $\pm$ XX $\pm$ XXX $\pm$						ROYAL GREENWICH OBSERVATORY, HERSTMONCEUX CASTLE, HAILSHAM.				Title 4-21 ALG. CASE 1 ALIGNMENT DETAILS		Drawing No. W/FX/061/1-2	
Issue	Mod. No.	Date	Drawn By	Issue	Mod. No.	Date	Drawn By	Finish	Dwg. No.	No. Req.	Used on						
			DEC 07				BTJ										

Drawing No.  
W/FX/061



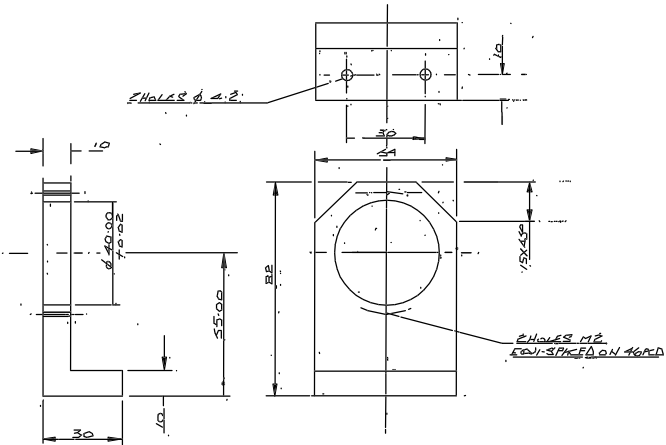
TITLE		#	
47		BEZEL RING	
MATERIAL	SCALE	TOLERANCES	
AL ALLOY	1:1	X ± 0.05	
FINISH	NO REQ PER UNIT	XX	
	1	XXX	
G.A. No.	DRAWING No.		
	R.G.O. W/FX/041/1		

TITLE		#	
48		GLASS DISC	
MATERIAL	SCALE	TOLERANCES	
FLOAT GLASS	1:1	X ± 0.05	
FINISH	NO REQ PER UNIT	XX	
	2	XXX	
G.A. No.	DRAWING No.		
	R.G.O. W/FX/061/E		

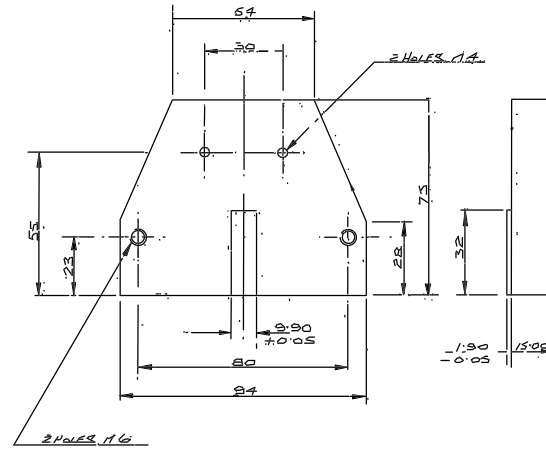
										Tolerances (Unless otherwise stated)		Material		Dimas in mm.		Scale		THIRD ANGLE PROJECTION		G.A. No.	
										X ±								42M AXG ALIGNMENT		Drawing No.	
										XX ±		Finish		Dwg. No.		No. Req.		ROYAL GREENWICH OBSERVATORY; HERSTMONCEUX CASTLE, HALSHAM SUSSEX.		W/FX/061	
										XXX ±		Used on						DETAILS.			
Issue	Mod. No.	Date	Drawn By	Issue	Mod. No.	Date	Drawn By	Issue	Mod. No.	Date	Drawn By										

Drawing No.

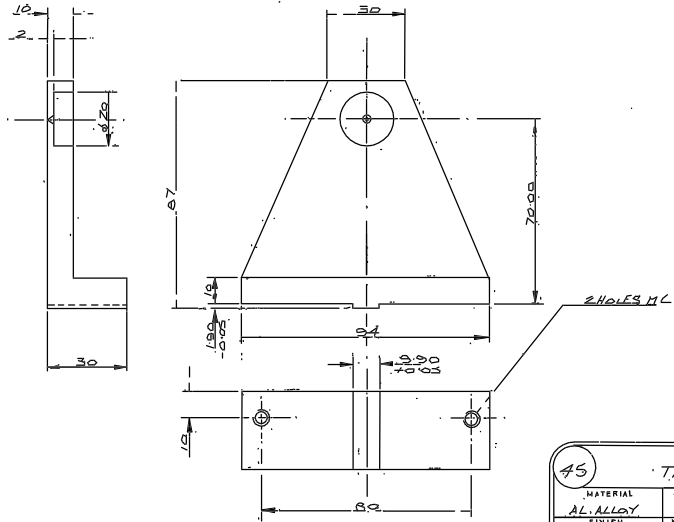
W/FX/060/1-4



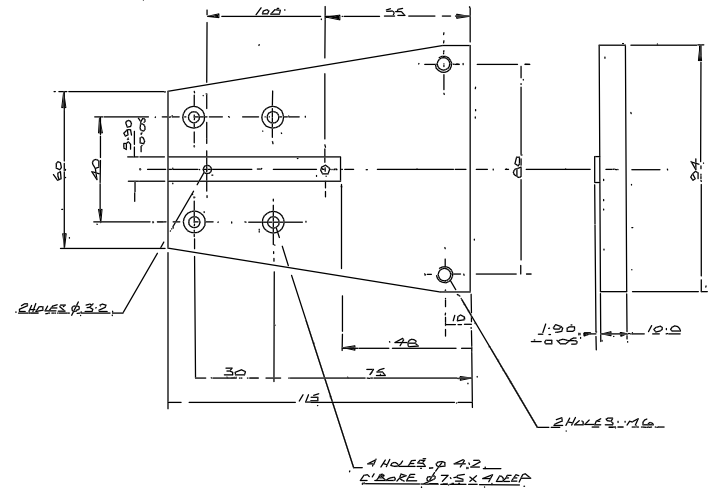
TITLE		
43 MOUNTING		
MATERIAL	SCALE	TOLERANCES
AL. ALLOY	1:1	X ± 0.2
FINISH	No REQ. PER UNIT	XX
		XXX ± 0.01
G.A. No.	DRAWING No.	
R.G.O.	W/FX/060/1	



TITLE		
44 SUPPORT PLATE		
MATERIAL	SCALE	TOLERANCES
AL. ALLOY	1:1	X ± 0.2
FINISH	No REQ. PER UNIT	XX
		XXX
G.A. No.	DRAWING No.	
R.G.O.	W/FX/060/2	



TITLE		
45 TARGET		
MATERIAL	SCALE	TOLERANCES
AL. ALLOY	1:1	X ± 0.2
FINISH	No REQ. PER UNIT	XX
		XXX
G.A. No.	DRAWING No.	
R.G.O.	W/FX/060/3	



TITLE		
46 MICROSCOPE BASE PLATE		
MATERIAL	SCALE	TOLERANCES
AL. ALLOY	1:1	X ± 0.2
FINISH	No REQ. PER UNIT	XX
		XXX
G.A. No.	DRAWING No.	
R.G.O.	W/FX/060/4	

Issue	Mod. No.	Date	Drawn By	Issue	Mod. No.	Date	Drawn By

Tolerances (Unless otherwise stated)

X ±

XX ±

XXX ±

Material	Dim's in m.m.	Scale
Finish	Dwg. No.	No. Req.
	Used on	

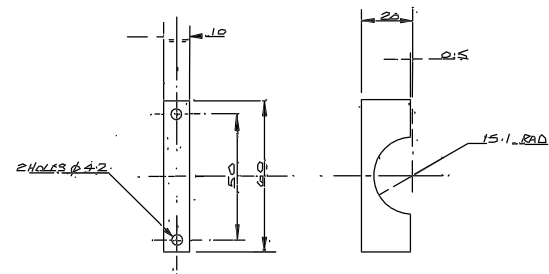
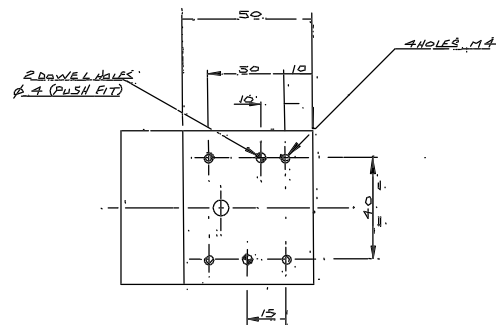
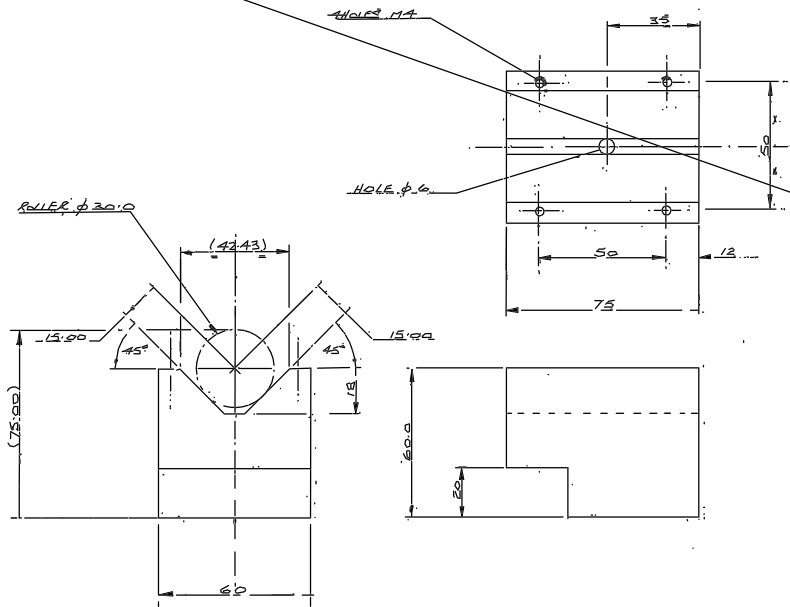
ROYAL GREENWICH OBSERVATORY,  
HERSTMONGELUX CASTLE,  
HAILSHAM SUSSEX.

THIRD ANGLE PROJECTION  
42.1 A X B ALIGNMENT  
DETAILS

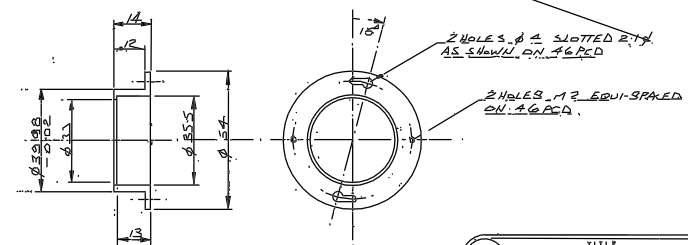
G.A. No.  
Drawing No.  
W/FX/060/1-4



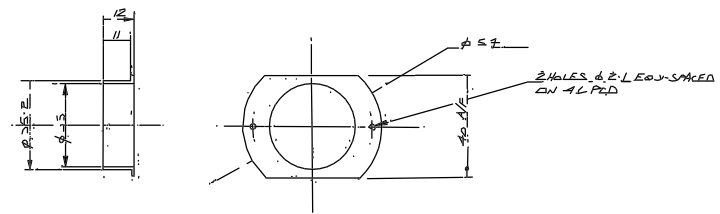
Drawing No. W/FX/059/1-4



TITLE 40 CLAMP		
MATERIAL AL ALLOY	SCALE 1:1	TOLERANCES X ± 0.1
FINISH —	NO REGR. PER UNIT —	XXX
G.A. No. R.G.O. W/FX/059/2	DRAWING No. —	



TITLE 41 SCREEN CELL		
MATERIAL AL ALLOY	SCALE 1:1	TOLERANCES X ± 0.2
FINISH —	NO REGR. PER UNIT —	XXX
G.A. No. R.G.O. W/FX/059/3	DRAWING No. —	

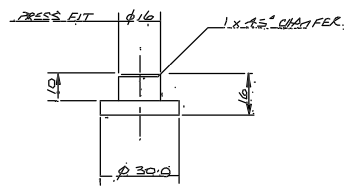
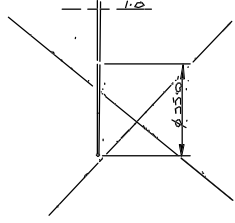
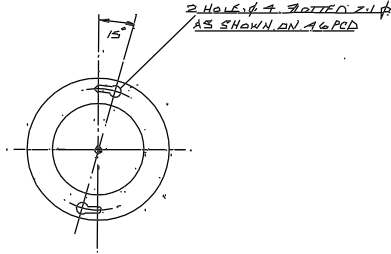
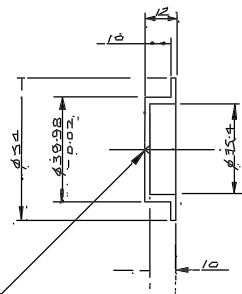


TITLE 42 KEEP		
MATERIAL AL ALLOY	SCALE 1:1	TOLERANCES X ± 0.2
FINISH —	NO REGR. PER UNIT —	XXX
G.A. No. R.G.O. W/FX/059/4	DRAWING No. —	

TITLE 39 MICROSCOPE MOUNT		
MATERIAL AL ALLOY	SCALE 1:1	TOLERANCES X ± 0.2
FINISH —	NO REGR. PER UNIT —	XXX
G.A. No. R.G.O. W/FX/059/1	DRAWING No. —	

Tolerances (Unless otherwise stated)				Material		Dim's in m.m.		Scale		THIRD ANGLE PROJECTION		Title		G.A. No.	
X ±				Finish		ROYAL GREENWICH OBSERVATORY, HERSTMONCEUX CASTLE, HAILSHAM		SUSSEX.		DETAILS		W/FX/059/1-4		Drawing No.	
XX ±				Used on		DRG. No.		No. REGR.							
XXX ±															
Issued	Mod. No.	Date	Drawn By	Issued	Mod. No.	Date	Drawn By								
				May 26			ETH								

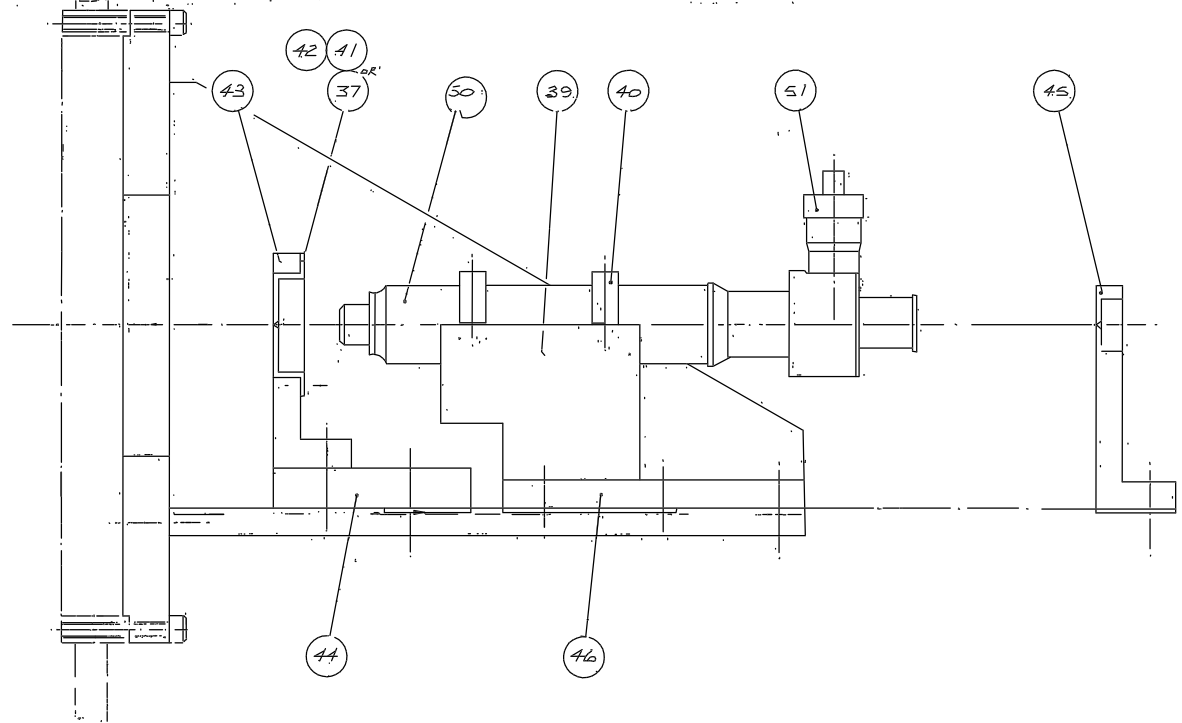
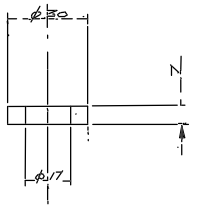
Drawing No. W/FX/058



37			TITLE: TARGET 'F'		
MATERIAL	SCALE:	TOLERANCES			
AL. ALLOY	1:1	X			
FINISH	No REQ. PER UNIT	XX			
	1	XXX			
G.A. No.	DRAWING No.				
	R.G.O. W/FX/058/1.				

38			TITLE: GLASS DISC		
MATERIAL	SCALE:	TOLERANCES			
GLASS	1:1	X			
FINISH	No REQ. PER UNIT	XX			
	2	XXX			
G.A. No.	DRAWING No.				
	R.G.O. W/FX/058/2.				

23			TITLE: LOCATING DISC		
MATERIAL	SCALE:	TOLERANCES			
MILD STEEL	1:1	X			
FINISH	No REQ. PER UNIT	XX			
	2	XXX			
G.A. No.	DRAWING No.				
	R.G.O. W/FX/058/3.				



24			TITLE: WASHER		
MATERIAL	SCALE:	TOLERANCES			
M. STEEL	1:1	X			
FINISH	No REQ. PER UNIT	XX			
	4	XXX			
G.A. No.	DRAWING No.				
	R.G.O. W/FX/058/4				

Issue		Mod. No.		Date		Drawn By		Checked By		Material		Dimns. in m.m.		Scale		Title		G.A. No.	
						NAYLOR		RTH		SEE DETAILS		ROYAL GREENWICH OBSERVATORY, HERSTMONCEUX CASTLE, HAILSHAM		1:1		THIRD ANGLE PROJECTION 1-2M AZG ALIGNMENT TV ALIGNMENT ASSY. # DETAILS		W/FX/058	
Used on		Dwg. No.		No. Req.															

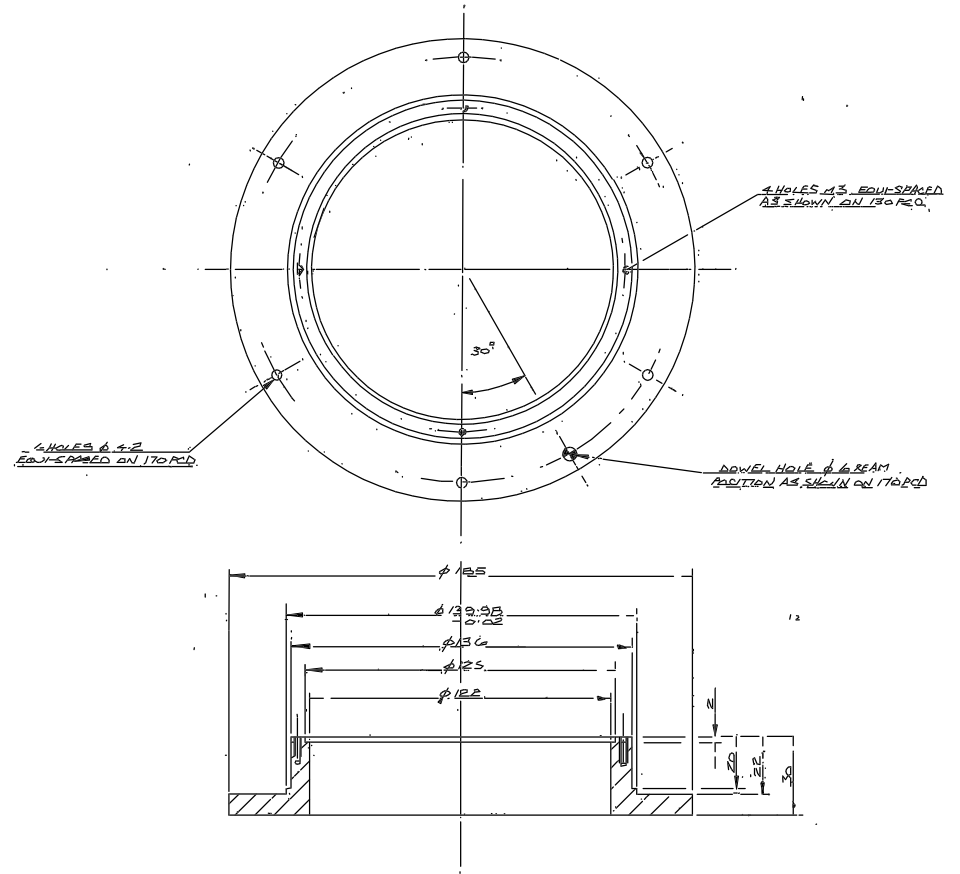
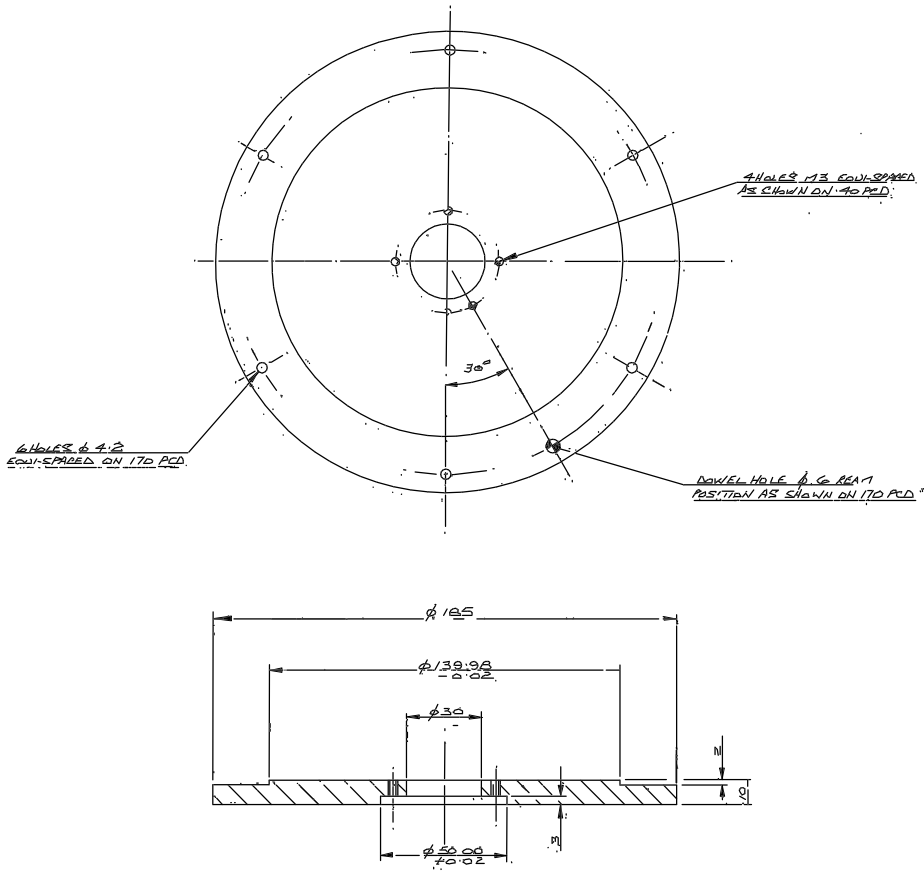
DRAWING NUMBER	No. of Sheets	G.A. Item No.	DRAWING TITLE OR COMPONENT NAME	No. of	MATERIAL STOCK OR ORDER No. AND DATE	REMARKS	ISSUE DATE	ISSUED TO	FINISH DATE
W/FX/053			ASSY TV. ALIGNMENT			SUB ASSY. 4 (FIBRE OPTIC FEEDSTATION)			
W/FX/053/1		37	TARGET 'F'	1					
W/FX/053/2		38	GLASS DISC	2					
W/FX/059/1		39	MICROSCOPE MOUNT	1					
W/FX/059/2		40	CLAMP	2					
W/FX/059/3		41	SCREEN CELL	1					
W/FX/059/4		42	KEEP	1					
W/FX/060/1		43	MOUNTING	1					
W/FX/060/2		44	SUPPORT PLATE	1					
W/FX/060/3		45	TARGET 'G'	1					
W/FX/060/4		46	MICROSCOPE BASE PLATE	1					
W/FX/061/1		47	BEZEL RING	1					
W/FX/061/2		48	GLASS DISC	2					
		49							
		50	MICROSCOPE PT1 2250	1					
		51	EYEPIECE MICRO ADJUST PARTICLE	1					
		52							
V/FX/063/1		53	FOCAL PLANE ADAPTOR	1					
V/FX/063/2		54	FULL FIELD FOCAL SCREEN MOUNTING	1					
V/FX/063/3		55	FOCAL PLANE PLATE	1					
V/FX/063/4		56	FOCAL PLANE MIRROR MOUNT	1					
W/FX/062/1		57	GLASS DISC	2					
W/FX/062/2		58	BEZEL	1					
W/FX/064		59	BRACKET MICRO MOUNT FEEDSTATION	1					
		60							
		61	CAP HD. SCREW M10X30	4					
		62	CAP HD. SCREW M5X20	7					
		63	BELVILLE WASHER DISHED 10 <sup>0</sup> DXS <sup>1</sup> 0	12					
		64	CAP HD. SCREW M6X30	12					
W/FX/070			TOP SECTION ALIGNMENT.						
JOB TITLE						ASSY DRG. No.	SHEET No.	DRAWN BY	
4.2M A & G ALIGNMENT						V/FX/050	2 of 2	BTH	
ROYAL GREENWICH OBSERVATORY,						HERSTMONCEUX CASTLE,	HAILSHAM,	SUSSEX	
								DATE Nov 86	





Drawing No.

W/FX/054/055



Issue	Mod. No.	Date	Drawn By	Issue	Mod. No.	Date	Drawn By
						OCT 2014	BT74

Tolerances (Unless otherwise stated):  
 X  $\pm 0.10$   
 XY  $\pm$   
 XXX  $\pm$

Material  
 AL ALLOY

Drawn No. 1  
 No. Req.

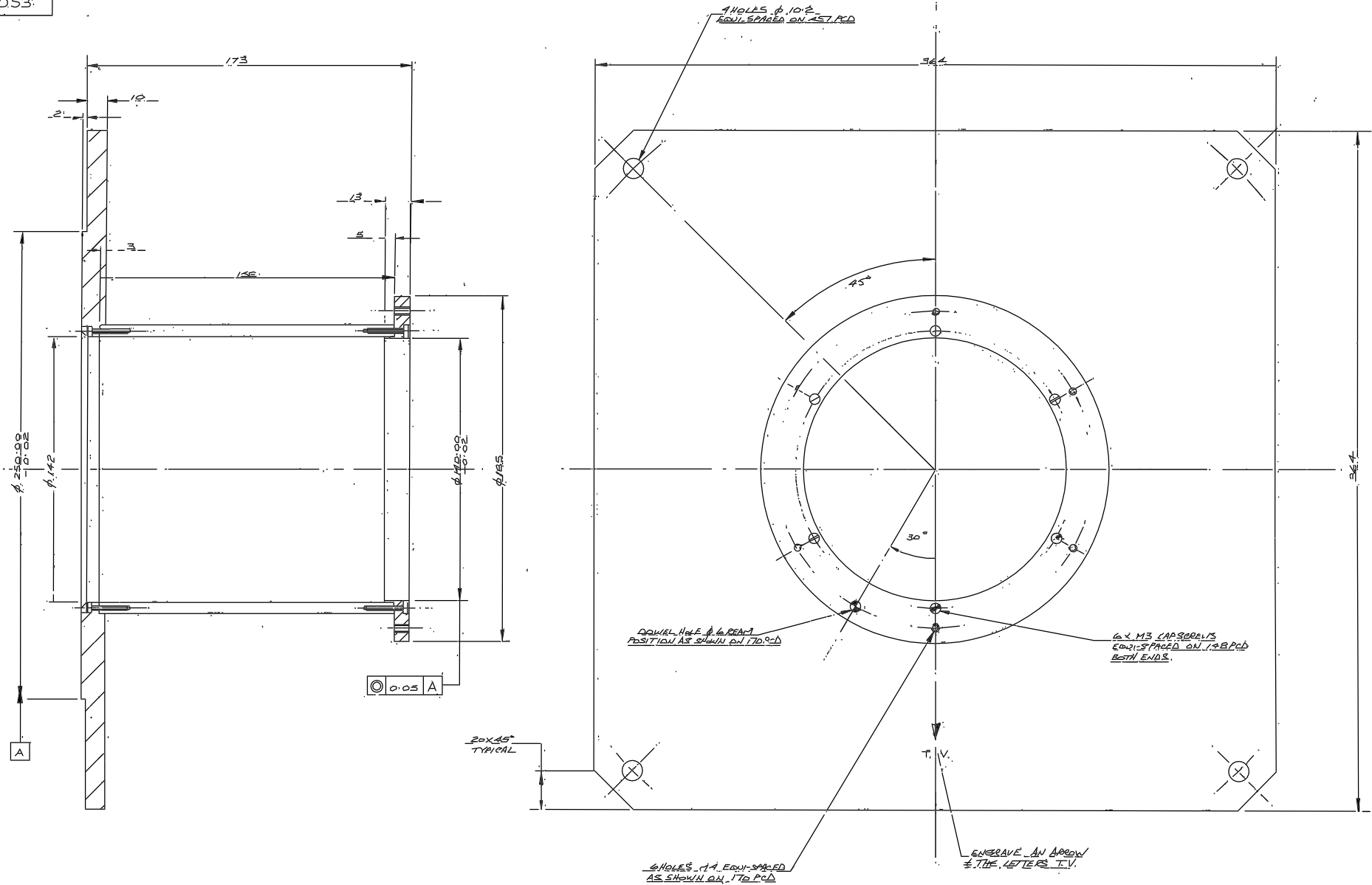
Dimms in m.m. Scale 1/1  
 ROYAL GREENWICH, OBSERVATORY,  
 HERSTMONGEUX CASTLE,  
 HAILSHAM SUSSEX.

THIRD ANGLE PROJECTION  
 F.M. A.L.G. ALIGNMENT  
 FOCAL PLANE PLATES

G.A. No.  
 Drawing No. W/FX/054/055

Drawing No.

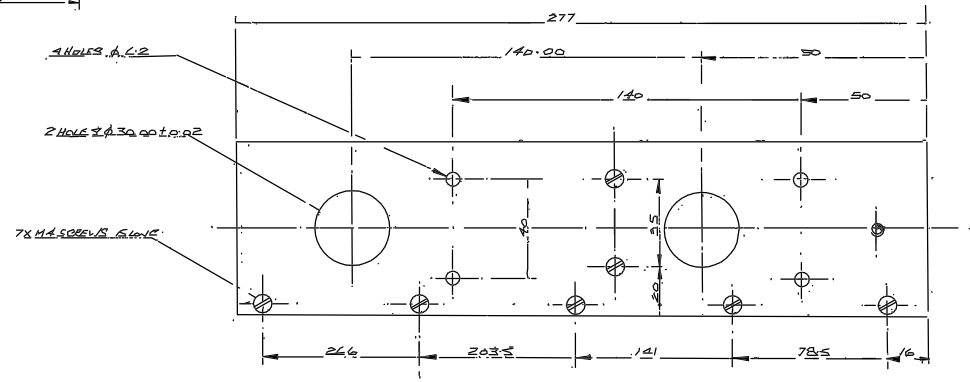
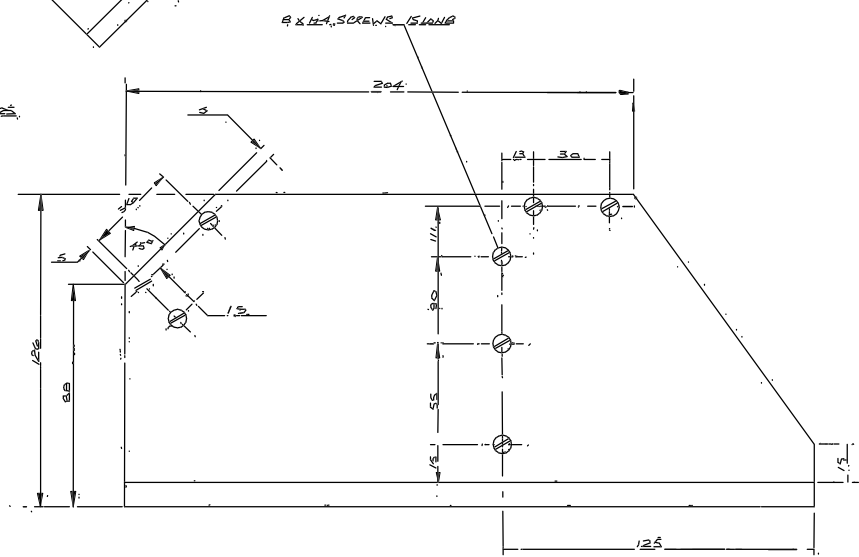
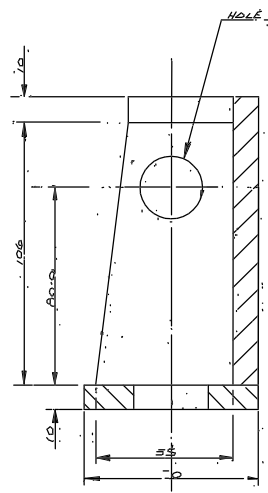
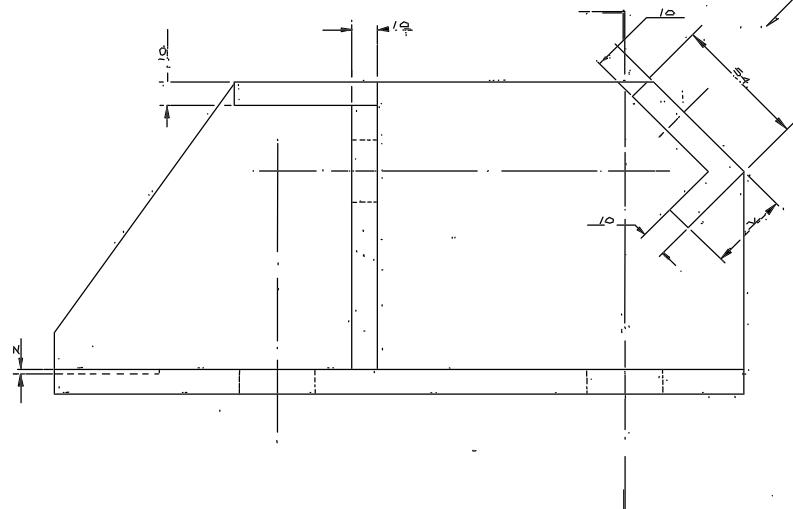
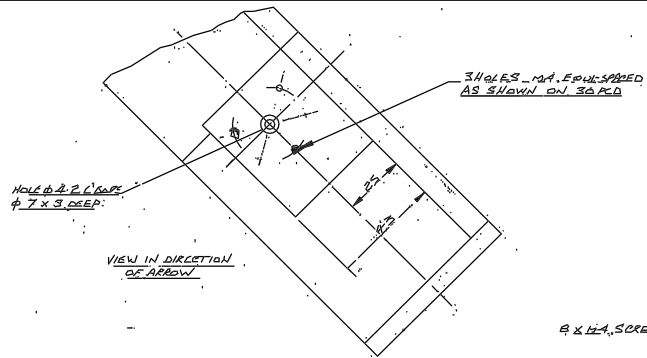
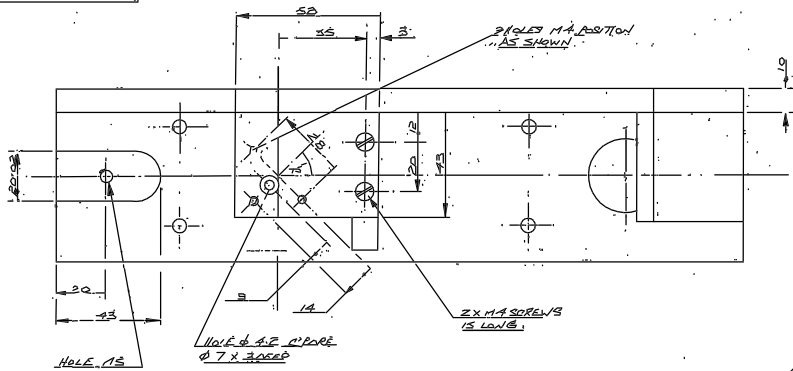
W/FX/053



						Tolerances: Unless otherwise stated: X ± XX 1 XXX 5		Material AL. ALLOY		Dimens in mm.		Scale. 1/1		THIRD ANGLE PROJECTION		G.A. No.	
						Finish		No. Req. 1		ROYAL GREENWICH OBSERVATORY, HERSTMONCEUX CASTLE, HAILSHAM		Title		4-21 ALG ALIGNMENT		Drawing No.	
Issue Mod. No. Date Drawn By Issue Mod. No. Date Drawn By						OCT 86 LTH		Used on		SUSSEX.		FOCAL PLANE ADAPTOR		W/FX/053			

Drawing No.

W/Fx/052

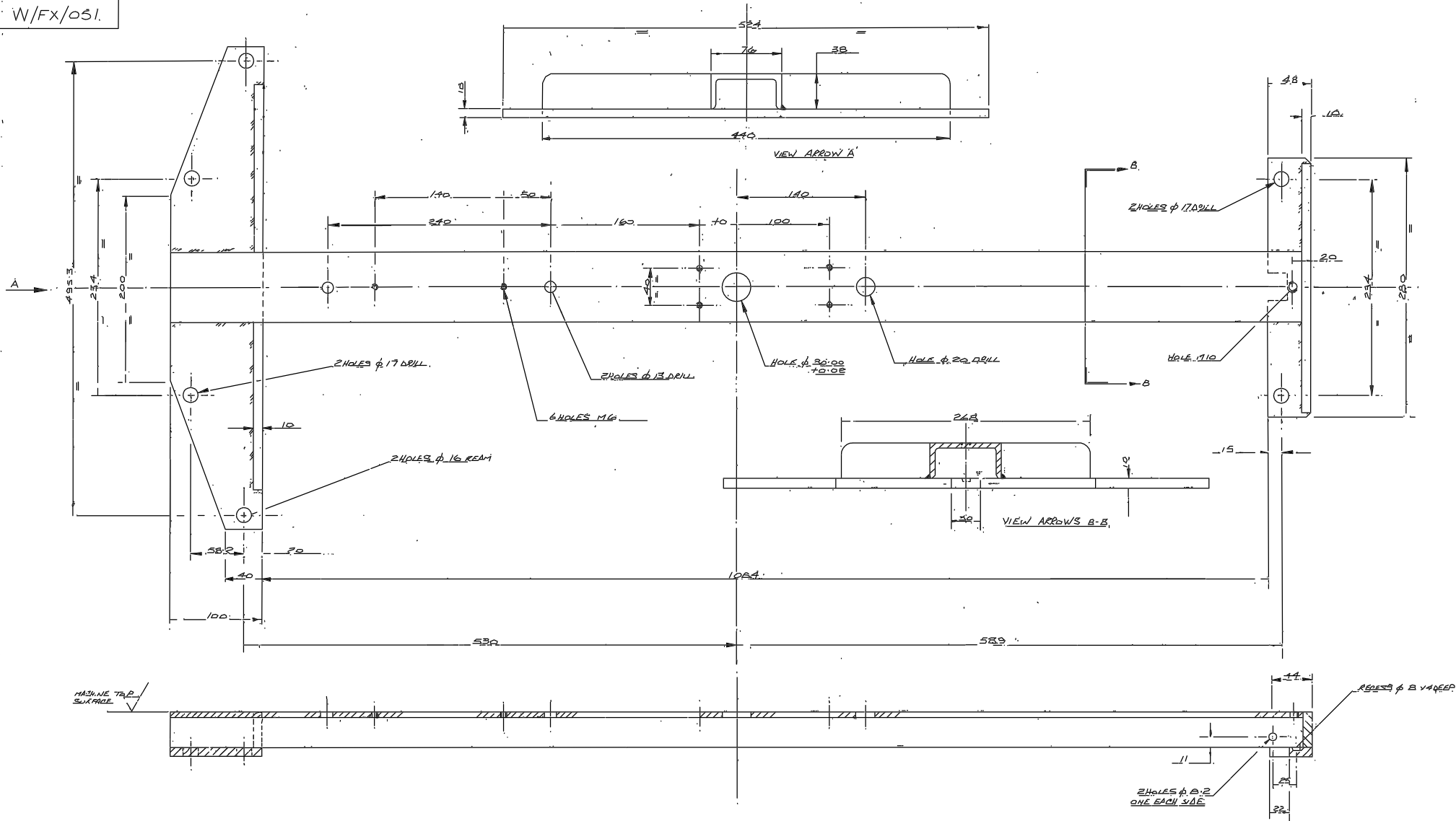


<table border="1"> <tr> <td>Issue</td> <td>Mod. No.</td> <td>Revs</td> <td>Drawn By</td> <td>Issue</td> <td>Mod. No.</td> <td>Date</td> <td>Drawn By</td> </tr> <tr> <td></td> <td></td> <td></td> <td></td> <td></td> <td></td> <td></td> <td></td> </tr> </table>								Issue	Mod. No.	Revs	Drawn By	Issue	Mod. No.	Date	Drawn By									Tolerances (Unless otherwise stated) X ± 0.2 XX ± 0.1 XXX ± 0.02	Material AL. Alloy Finish	Dims. in m.m. Scale 1/1 DRG. No. No. Req. Used on	ROYAL GREENWICH OBSERVATORY, HERSTMONCEUX CASTLE, HAILSHAM, SUSSEX	Title THIRD ANGLE PROJECTION 1/2" ALG UNITS. ALIGNMENT. BRACKET	G.A. No. Drawing No. W/Fx/052
Issue	Mod. No.	Revs	Drawn By	Issue	Mod. No.	Date	Drawn By																						



Drawing No.

W/Fx/051.



MACHINE TOOL SURFACE

RECESS 6 x 2 x 4 DEEP

2 HOLES 6 x 12 ONE EACH SIDE

Issue	Mod. No.	Date	Drawn By	Issue	Mod. No.	Date	Drawn By

Tolerances (Unless otherwise stated)  
 X ± 0.10  
 XX ± 0.05  
 XXX ± 0.02

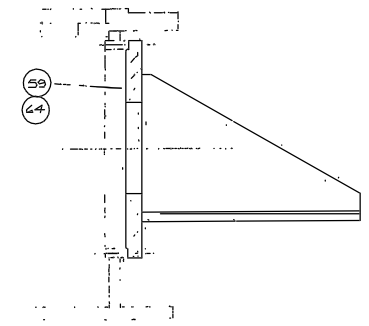
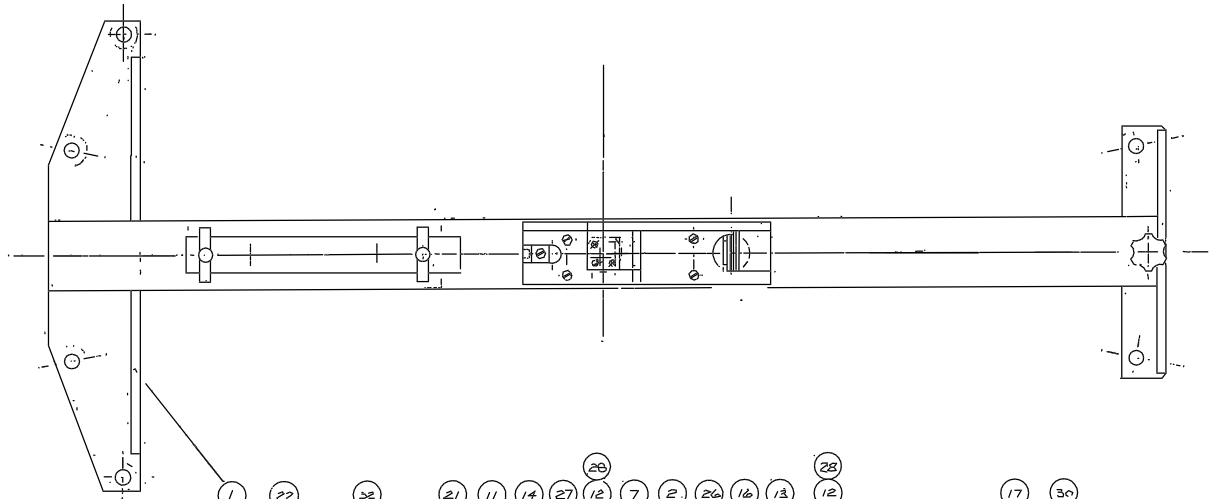
Material  
 MILD STEEL

Dim's in m.m.  
 Scale 1/2

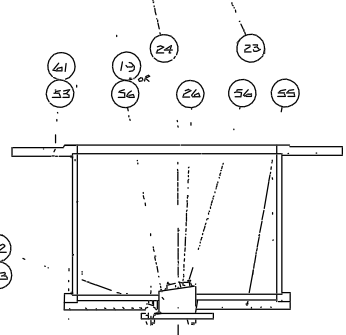
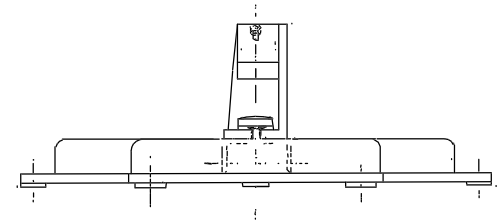
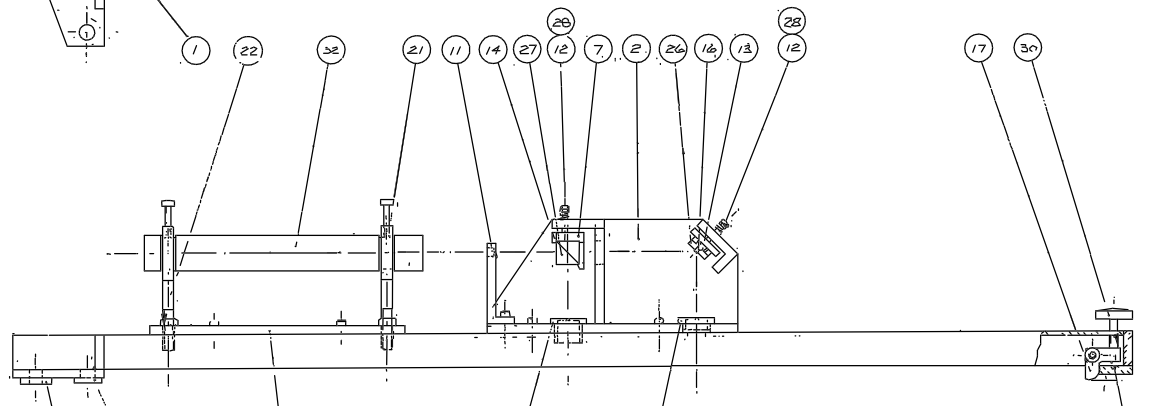
ROYAL GREENWICH OBSERVATORY,  
 HERSTMONCELY CASTLE,  
 HAILSHAM SUSSEX.

THIRD ANGLE PROJECTION  
 20 mm = 1 INCH  
 ALIGNMENT BEAM

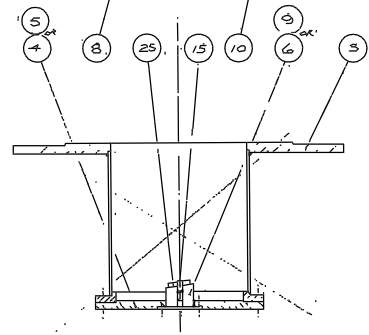
G.A. No.  
 Drawing No.  
 W/Fx/051



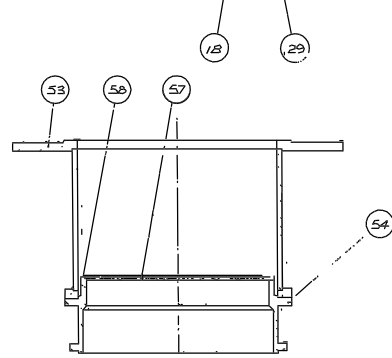
CASE 1 FOCAL PLANE FIELD STATION  
SUPPORT BEARING FOR SIGHTSCOPE 4-148607  
SEE ALSO DRW V/FX/050



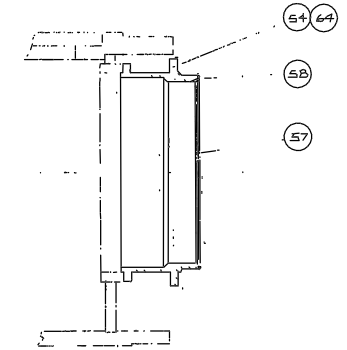
CASE 1 FOCAL PLANE MIRROR MOUNT



DECOMPLED A/B FOCAL PLANE MIRROR



CASE 1 FOCAL PLANE FIELD SCREEN



CASE 1 FOCAL PLANE FIELD STATION FIELD SCREEN

							Tolerances (Unless otherwise stated) X ± XX ± XXX ±	Material Finish	Date: in m.m. 1 Drg No. No. Rev. Used in	Scale 1/2 - ROYAL GREENWICH OBSERVATORY, HERSTMONCEUX CASTLE, HAILSHAM SUSSEX.	Title THIRD ANGLE PROJECTION ASSEMBLY 4-2H A+B ALIGNMENT GEAR.	G.A. No. Drawing No. V/FX/050.
Issue	Mod. No.	Date	Drawn By	Issue	Mod. No.	Date	Drawn By					
						OCT 66	ETH					