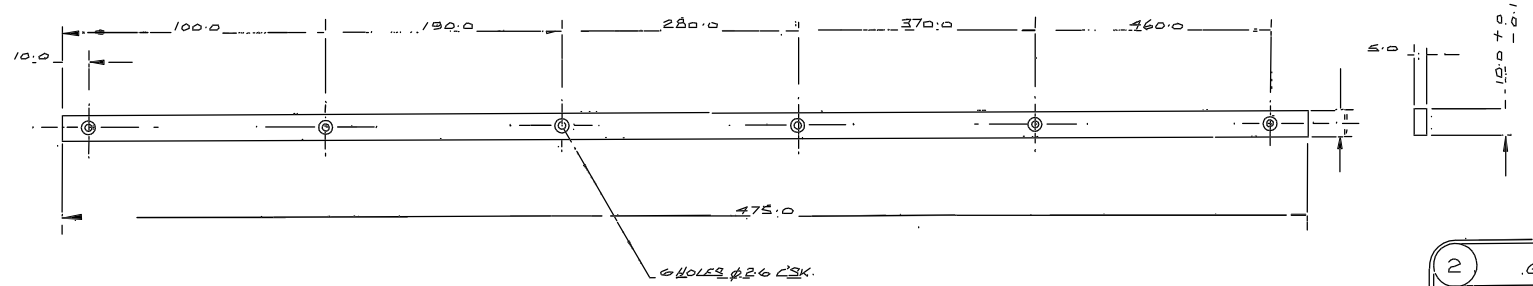
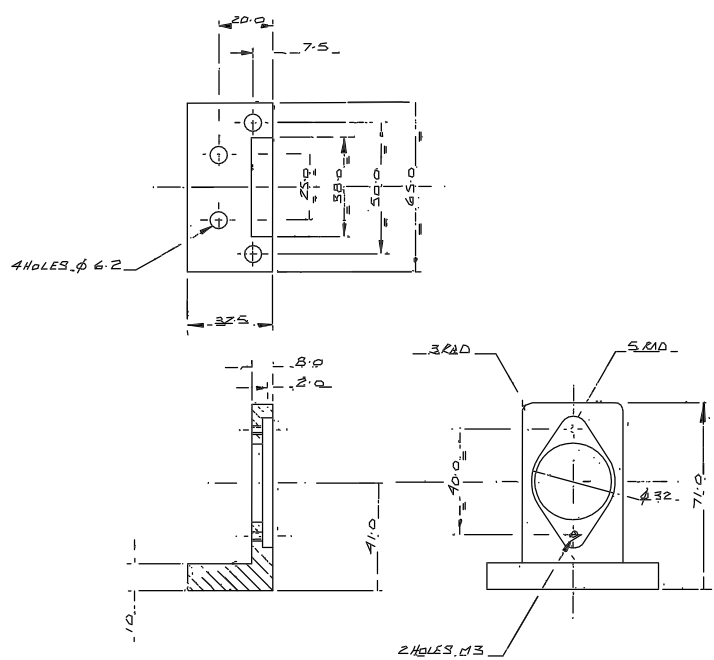


Drawing No. W/FZ/372-374.

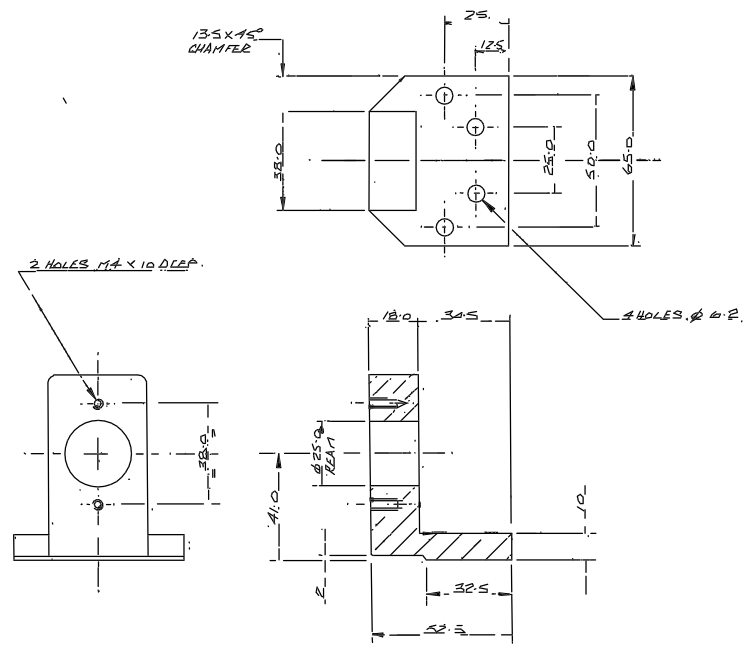


2			GUIDE RAIL		
MATERIAL	SCALE	TOLERANCES			
BRASS	1:1	X ± 0.1			
FINISH	NO REQ. PER UNIT	XX			
		XXX			
G.A. No.	DRAWING No.				
	R.G.O. W/FZ/372				

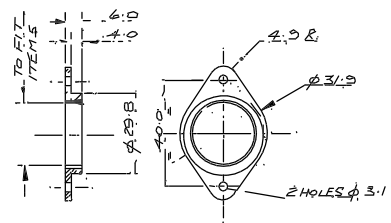
6 HOLES φ 2.6 CSK.



3			BRACKET A		
MATERIAL	SCALE	TOLERANCES			
AL. ALLOY	1:1	X			
FINISH	NO REQ. PER UNIT	X.X			
BL. ANODISE	1	XXX			
G.A. No.	DRAWING No.				
	R.G.O. W/FZ/373				



4			BRACKET B		
MATERIAL	SCALE	TOLERANCES			
AL. ALLOY	1:1	X			
FINISH	NO REQ. PER UNIT	XX			
BL. ANODISE	1	XXX			
G.A. No.	DRAWING No.				
	R.G.O. W/FZ/374				



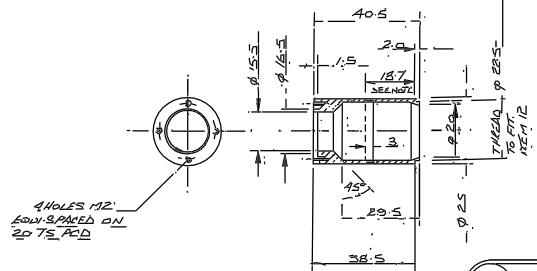
NUT (TO FIT ITEMS)
OFF MATL. BRASS.

Issue	Mod. No.	Date	Drawn By	Issue	Mod. No.	Date	Drawn By

Tolerances (Unless otherwise stated)
X ±
XY ±
XXX ±

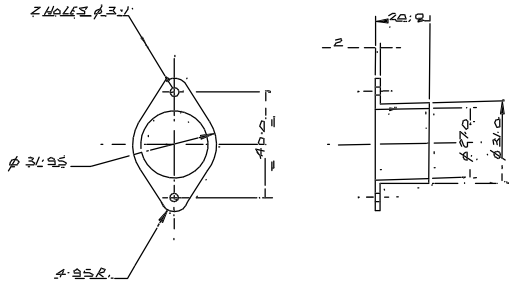
Material	Finish	Dim in m.m.	Scale	Third Angle Projection
		ROYAL GREENWICH OBSERVATORY, HERSTMONCEUX CASTLE, HAILSHAM	SUSSEX.	4.2M A26 FACED TUB EDIANG

Title		Drawing No.	
DETAILS		W/FZ/372-374	

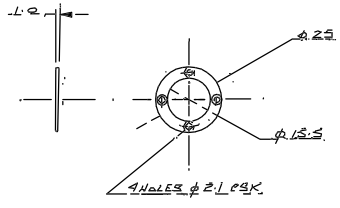


NOTE. EXISTING TO BE ON FRONT OF LENS

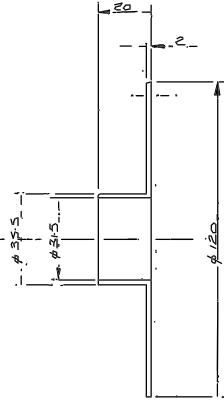
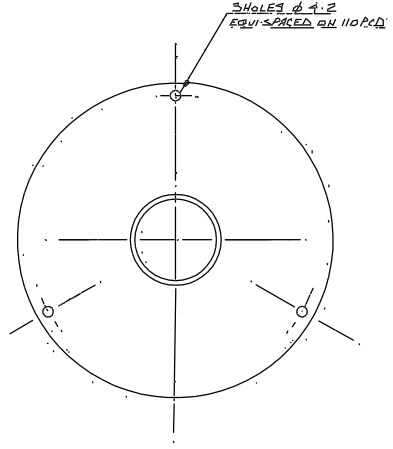
TITLE		
5 EXTENDED LENS HOLDER		
MATERIAL	SCALE	TOLERANCES
BRASS	1:1	X
FINISH	NO REQ PER UNIT	X.X ± 0.1
BL NICKEL	1	X.XX
G.A. No.	DRAWING No.	
	R.G.O. W/FZ/375	



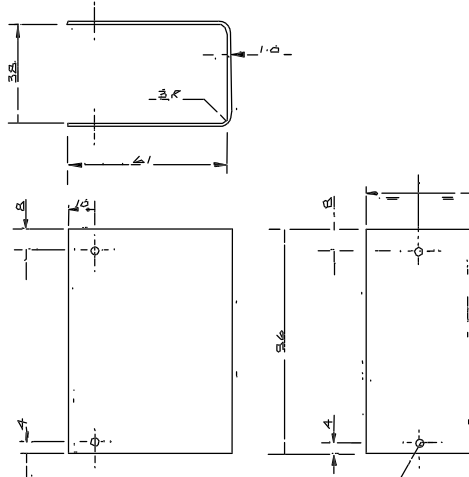
TITLE		
6 BAFFLE 'A'		
MATERIAL	SCALE	TOLERANCES
AL ALLOY	1:1	X
FINISH	NO REQ PER UNIT	X.X
BL ANODISE	1	X.XX
G.A. No.	DRAWING No.	
	R.G.O. W/FZ/376	



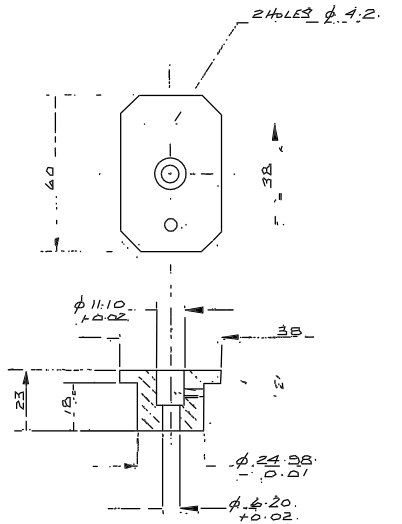
TITLE		
7 LENS HOLDER		
MATERIAL	SCALE	TOLERANCES
BRASS	1:1	X
FINISH	NO REQ PER UNIT	X.X
BL NICKEL	1	X.XX
G.A. No.	DRAWING No.	
	R.G.O. W/FZ/377	



TITLE		
8 BAFFLE 'B'		
MATERIAL	SCALE	TOLERANCES
AL ALLOY	1:1	X
FINISH	NO REQ PER UNIT	X.X
BL ANODISE	1	X.XX
G.A. No.	DRAWING No.	
	R.G.O. W/FZ/378	



TITLE		
9 COVER		
MATERIAL	SCALE	TOLERANCES
AL ALLOY	1:1	X
FINISH	NO REQ PER UNIT	X.X
BL ANODISE	1	X.XX
G.A. No.	DRAWING No.	
	R.G.O. W/FZ/379	



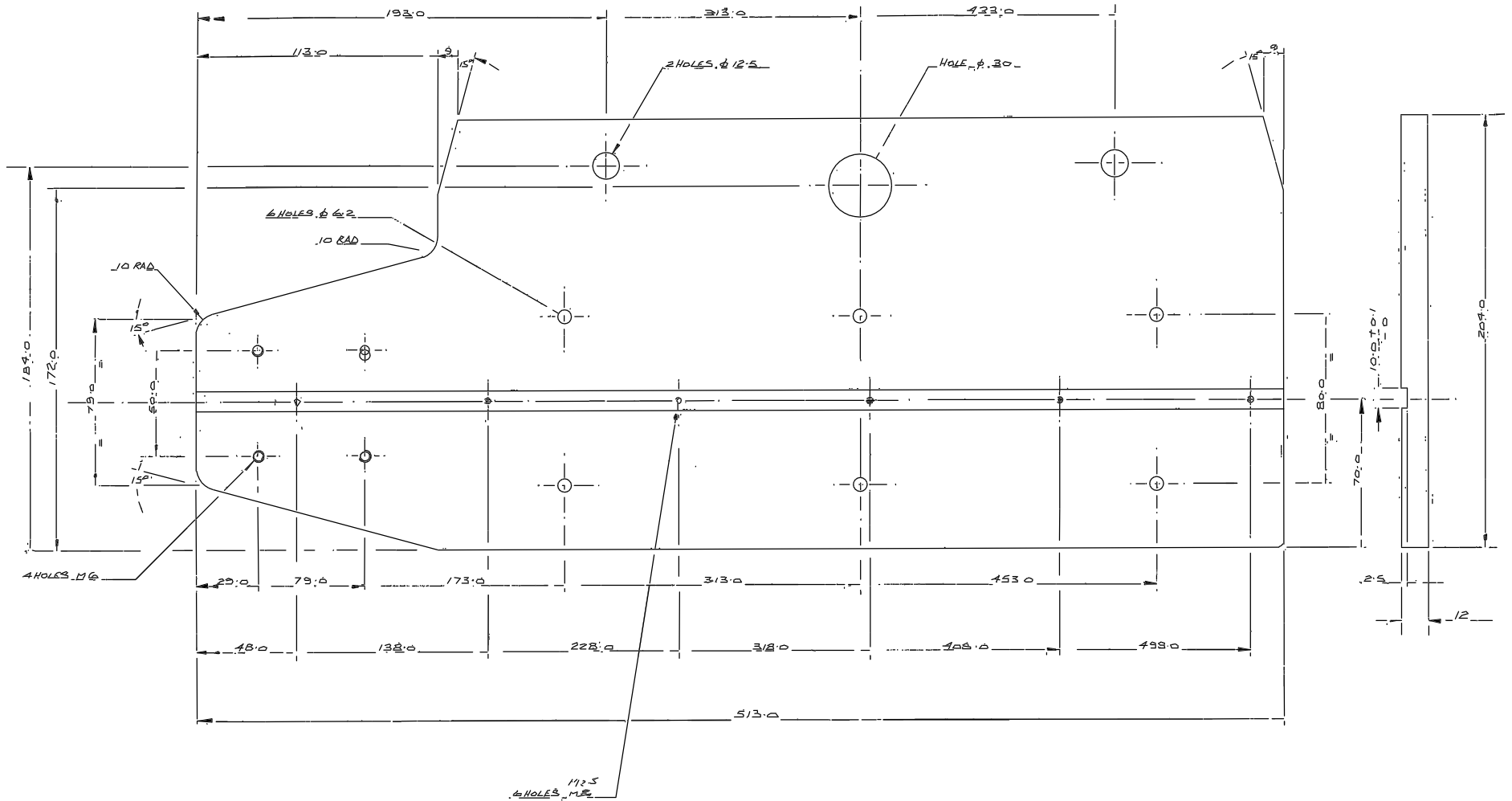
TITLE		
10 GUIDE FIBRE HOLDER		
MATERIAL	SCALE	TOLERANCES
BRASS	1:1	X ± 0.2
FINISH	NO REQ PER UNIT	X.X
BL NICKEL	1	X.XX
G.A. No.	DRAWING No.	
	R.G.O. W/FZ/380	

Issue	Mod. No.	Date	Drawn By	Issue	Mod. No.	Date	Drawn By

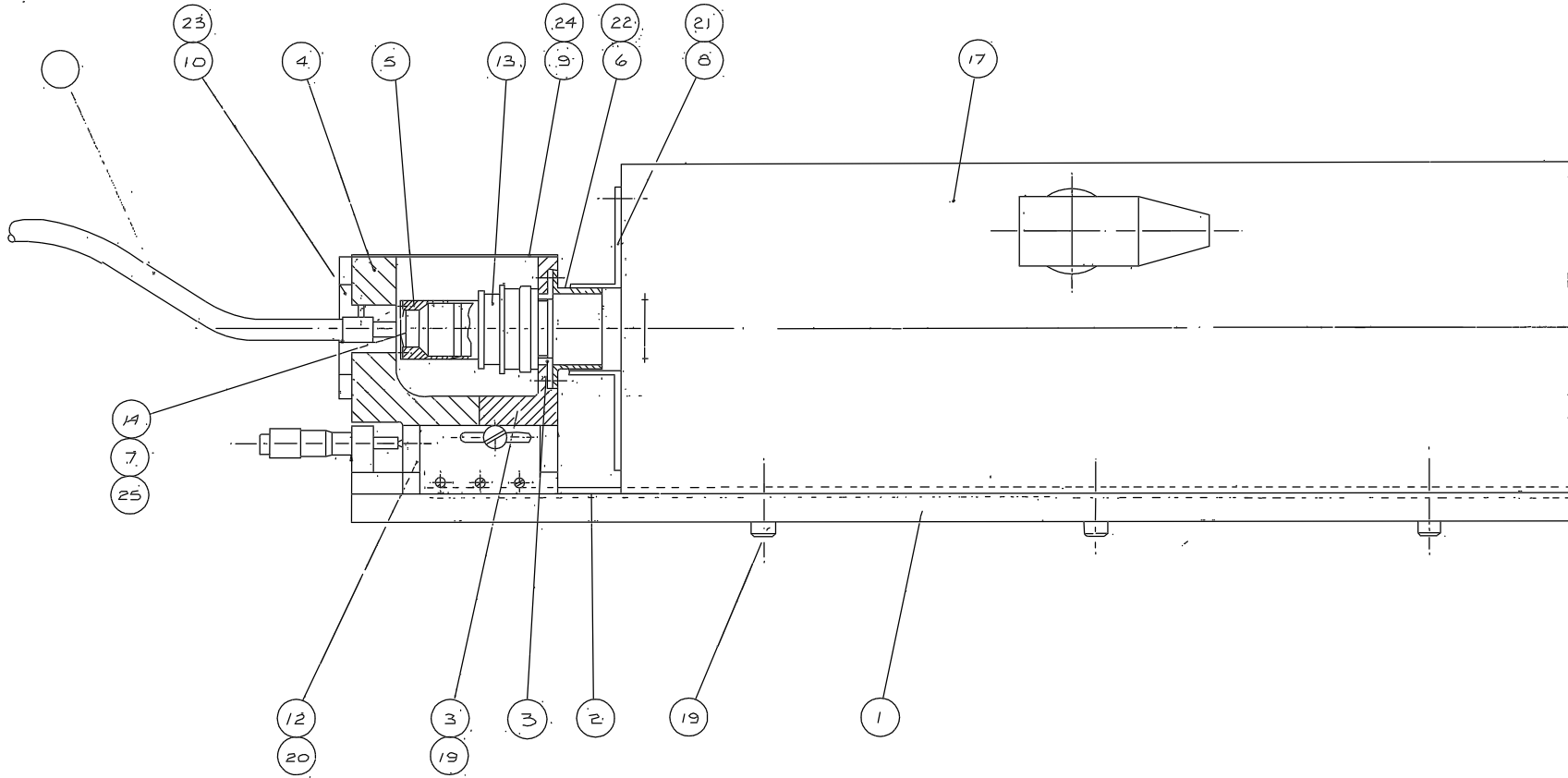
Material	Finish	Dimns in mm.	Scale	ROYAL GREENWICH OBSERVATORY, HERSTMONCEUX CASTLE, HAILSHAM SUSSEX.	
				Org. No.	No. Rev.
				Used on	

THIRD ANGLE PROJECTION		
42 H ARG. FIBRE OPTIC STATION		
DETAILS		
Title		G.A. No.
R.G.O. W/FZ/375-380		Drawing No.
		W/FZ/375-380

DRAWING NUMBER	No. of Sheets	G.A. Item No.	DRAWING TITLE OR COMPONENT NAME	No. of	MATERIAL STOCK OR ORDER No. AND DATE	REMARKS	ISSUE DATE	ISSUED TO	FINISH DATE
W/FZ/370			ASSY T.V. GUIDER						
W/FZ/371		1	MOUNTING PLATE	1					
W/FZ/372		2	GUIDE RAIL	1					
W/FZ/373		3	BRACKET 'A'	1					
W/FZ/374		4	BRACKET 'B'	1					
W/FZ/375		5	EXTENDED LENS HOLDER	1					
W/FZ/376		6	BAFFLE 'A'	1					
W/FZ/377		7	LENS HOLDER	1					
W/FZ/378		8	BAFFLE 'B'	1					
W/FZ/379		9	COVER	1					
W/FZ/380		10	GUIDE FIBRE HOLDER	1					
		11							
		12	TRANSLATION STAGE	1	ON THE 504				
		13	FIBRE OPTIC RELAY LENS	1	MELLER GLIOT				
		14	FIELD LENS	1	DALMEYER 1"				
		15			FUSCA 17° FA LENS				
		16							
		17	ISFC T.V.	1					
		18							
		19	SOC. HD. CAP. SCREW M6 X 20	14					
		20	SOC. HD. CAP. SCREW M6 X 10	4					
		21	SOC. HD. CAP. SCREW M4 X 10	3					
		22	SOC. HD. CSK. SCREW M3 X 8	2					
		23	SOC. HD. CAP. SCREW M3 X 10	4					
		24	PAN HD. SCREW M2.5 X 6	6					
		25	CSK. HD. SCREW M2 X 6	4					
JOB TITLE					4.2M A+B FIBRE OPTIC STATION	ASSY DRC. No.	SHEET No.	DRAWN BY <u>STH</u>	
ASSY T.V. GUIDER					W/FZ/370			DATE <u>AUG 88</u>	
ROYAL GREENWICH OBSERVATORY,					HERSTMONCEUX CASTLE,	HAILSHAM,	SUSSEX		



								Tolerances (Unless otherwise stated)		Material: AL ALLOY		Dimms in m.m.		Scale 1/1		THIRD ANGLE PROJECTION		G.A. No. W/FZ/370	
								X ±		Finish: B.L. ANODISE		ROYAL GREENWICH OBSERVATORY, HERSTMONCEUX CASTLE, HAILSHAM		Title: 42M A2G CASE I FOCAR T.V. BASE PLATE		Drawing No. W/FZ/371			
Issue	Mod. No.	Date	Drawn By	Issue	Mod. No.	Date	Drawn By			Dwg. No.	No. Req.	Used on							



								Tolerances (Unless otherwise stated)		Material		Dimms in m.m.		Scale		THIRD ANGLE PROJECTION		G.A. No.	
								X ±								ROYAL GREENWICH OBSERVATORY.		Drawing No.	
								XX ±		Finish		Drg. No.		No. Rep.		HERSTMONGELUX CASTLE.		W/FZ/370	
								XXX ±		Used on		Used on				HAILSHAM SUSSEX.			
Issue	Mod. No.	Date	Drawn By	Issue	Mod. No.	Date	Drawn By	1/1/88		JTH						42nd AIG FIBRE OPTIC STATION			
																ASSY TV GUIDER			