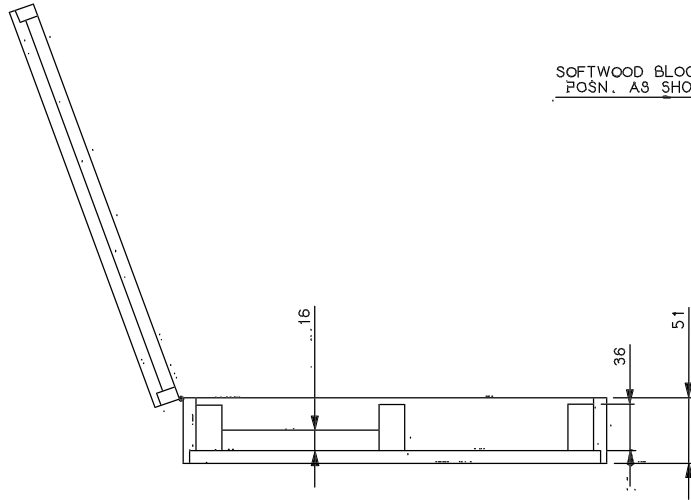
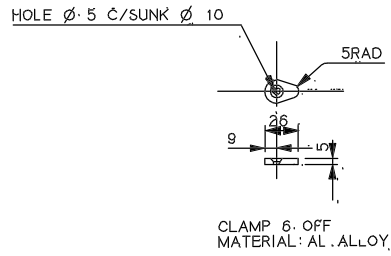
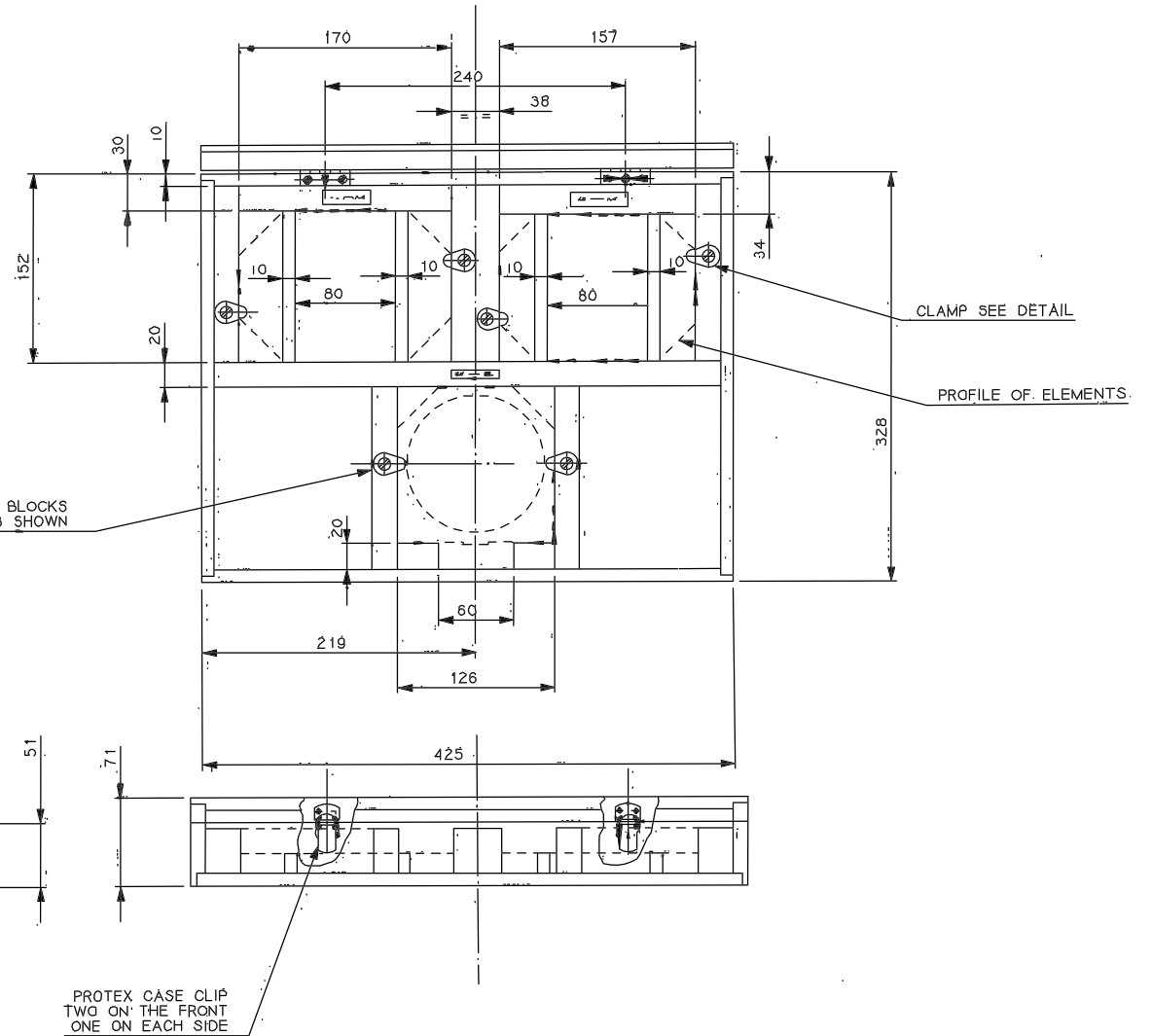


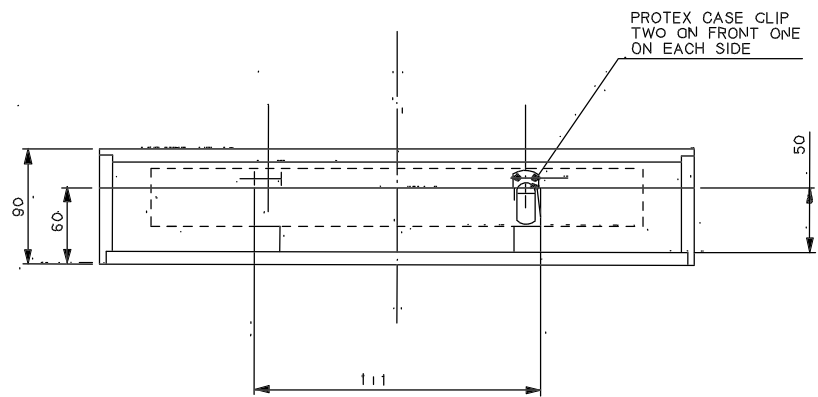
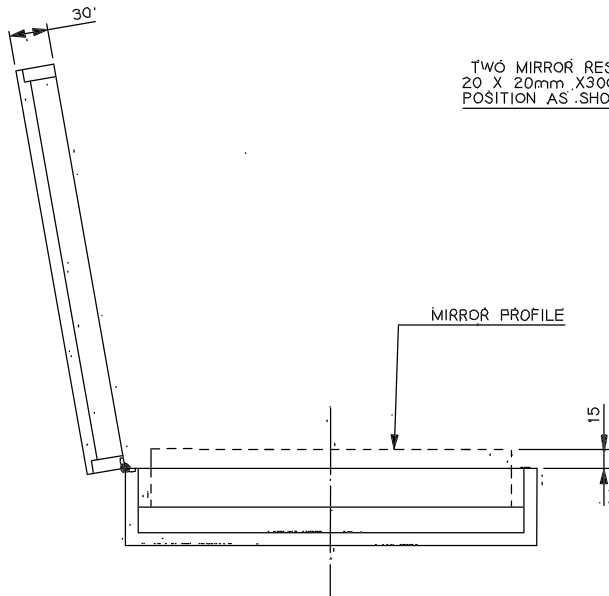
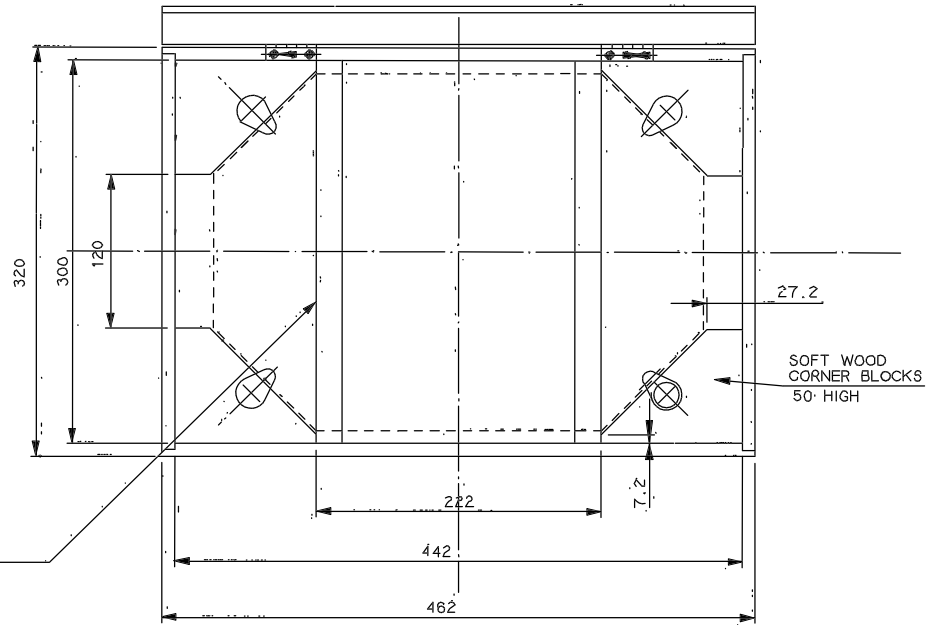
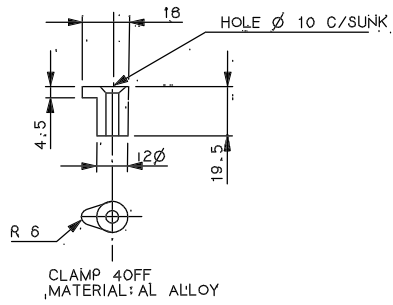
Drawing No.
W /FX/503



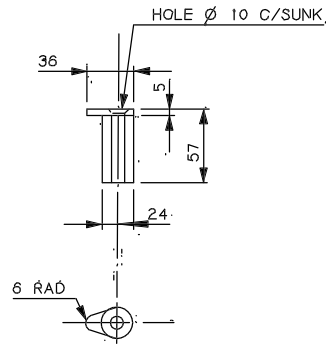
SOFTWOOD BLOCKS
POSN. AS SHOWN



								Tolerance (Unless otherwise stated) X +/- X.X +/- X.XX +/-	Material	Dimns. in m.m. Scale 1/2		THIRD ANGLE PROJECTION	RA No.
Issue	Mod. No.	Drawn	Drawn by	Issue	Mod. No.	Date	Drawn by	Finish	Lrg. No.	No. Part.	ROYAL GREENWICH OBSERVATORY HERSTMONCEUX CASTLE HAILSHAM SUSSEX	SLIT VIEWING OPTICS & SMALL FEED FLAT STORAGE BOX	Drawing No. W /FX/503
										Used on			



							Tolerance (Unless otherwise stated)	Material		Dim's. In m.m.		Scale 1/2	THIRD ANGLE PROJECTION		GA No.	
							X +/-	10mm PLYWOOD		ROYAL GREENWICH OBSERVATORY		Title		LARGE FIBER OPTIC FLAT		Drawing No.
							X.X +/-	Finish		HERSTMENCEUX CASTLE		STORAGE BOX		W /FX/502		
							X.XX +/-	VARNISH		HAILSHAM SUSSEX						
Issue	Mod. No.	Date	Drawn by	Issue	Mod. No.	Date	Drawn by	Qty. Req.	Used on							

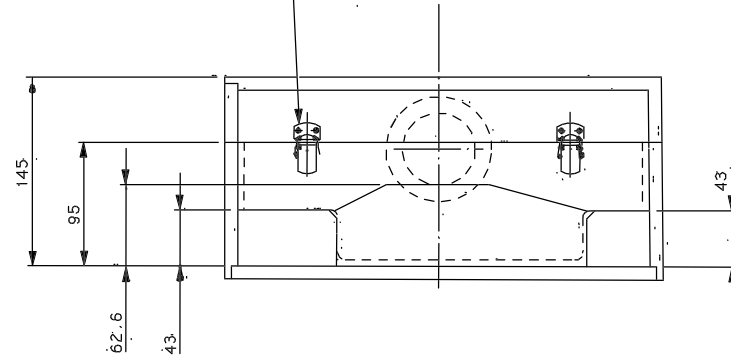
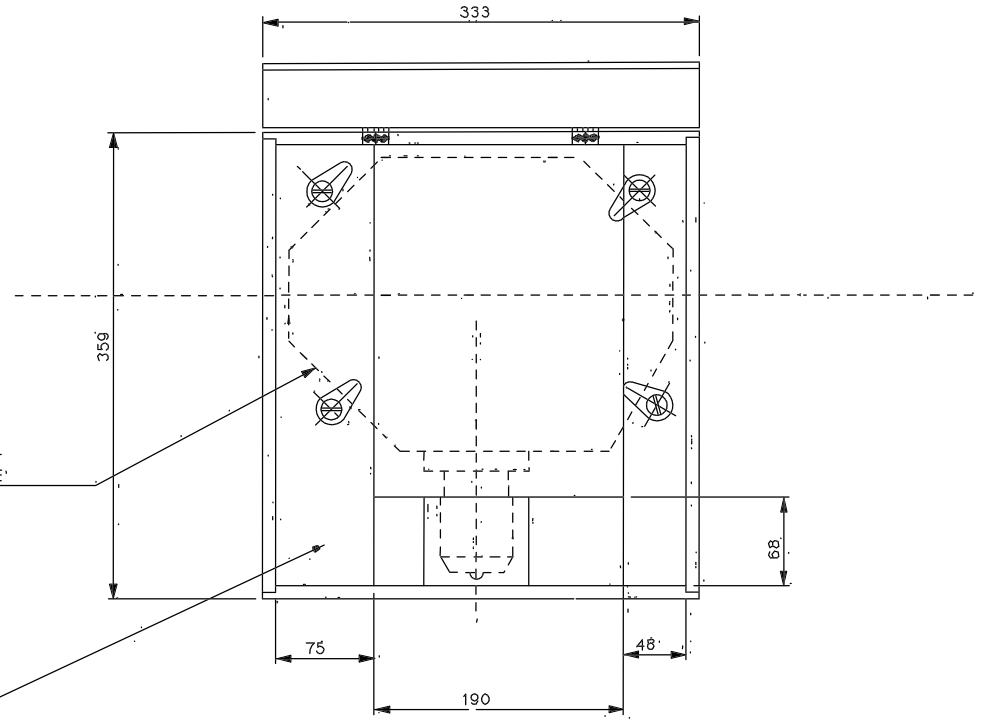
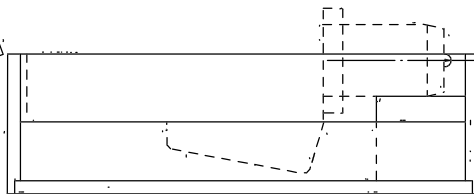
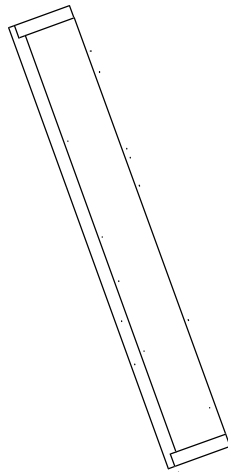


CLAMP PLATE & PILLAR.
MATERIAL: AL. ALLOY 4 OFF

AQUISITION FLAT & CELL PROFILE

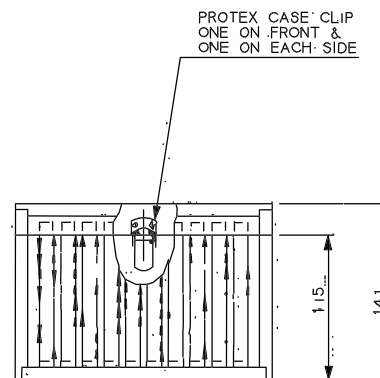
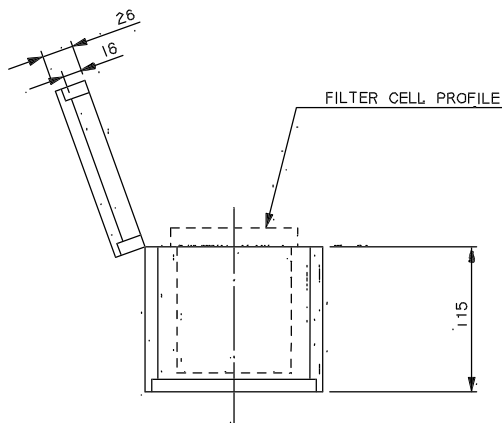
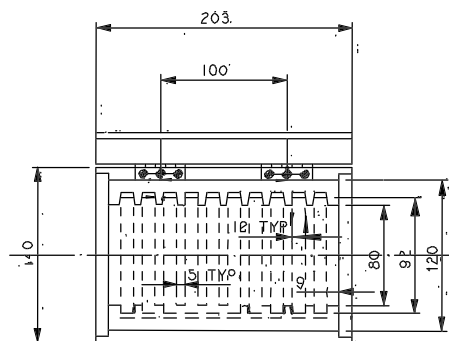
SOFTWOOD SUPPORT BLOCK
339 LONG

PROTEX CASE CLIP
TWO ON FRONT ONE
EACH SIDE



Issue	Mod. No.	Date	Drawn by	Issue	Mod. No.	Date	Drawn by	Material	Qty. No.	Urg. No.	Drawn by	Scale	Title	GA No.
								10mm PLYWOOD	ONE			ROYAL GREENWICH OBSERVATORY HERSTMONGELIX CASTLE HAILSHAM SUSSEX	THIRD ANGLE PROJECTION AQUISITION FLAT & CELL STORAGE BOX	W /FX/504

Drawing No.
W /FX/500



							Tolerance Unless otherwise stated	Material			Dim's. in m.m.	Scale	THIRD ANGLE PROJECTION	GA No.
							X +/-	10mm PLYWOOD		TWO		1/2		
							X,X +/-	Finish	Urg. No.	No. req.	ROYAL GREENWICH OBSERVATORY		FIG. MAIN FILTERS COLOUR & NEUTRAL DENSITY	Drawing No.
							X,XX +/-	VARNISH	Used on		HERSTMANCEUX CASTLE		W /FX/500	
Issue	Mod. No	Date	Drawn by	Issue	Mod. No	Date	Drawn by			HAILSHAM SUSSEX		STORAGE BOX		

