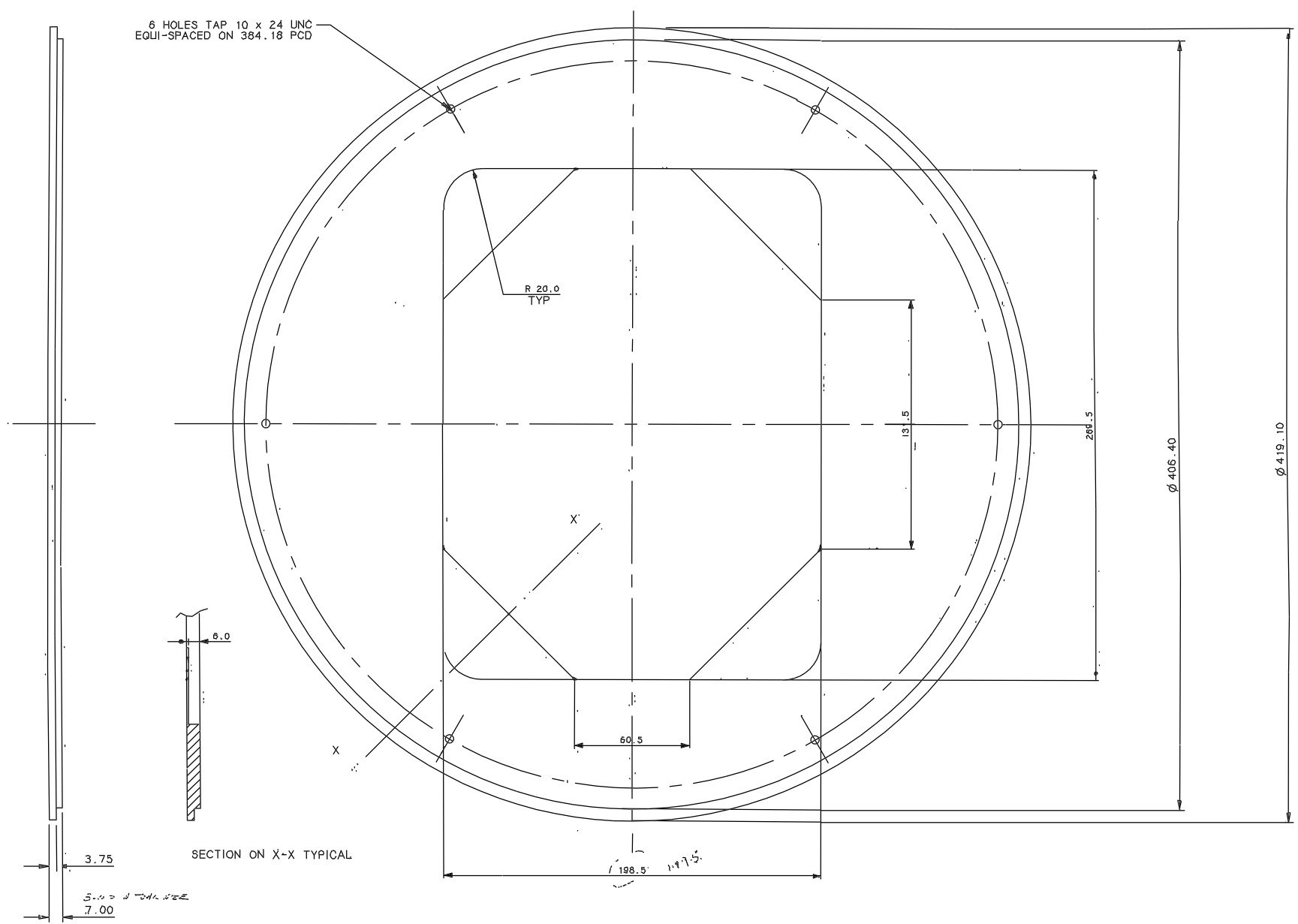


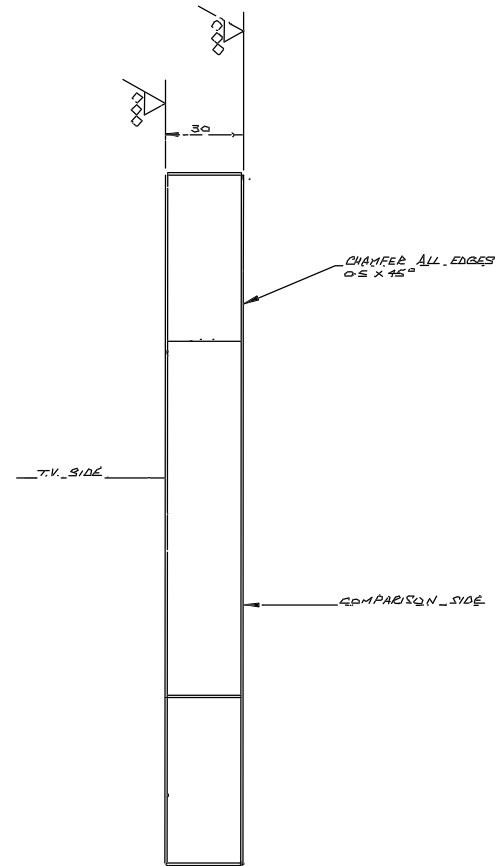
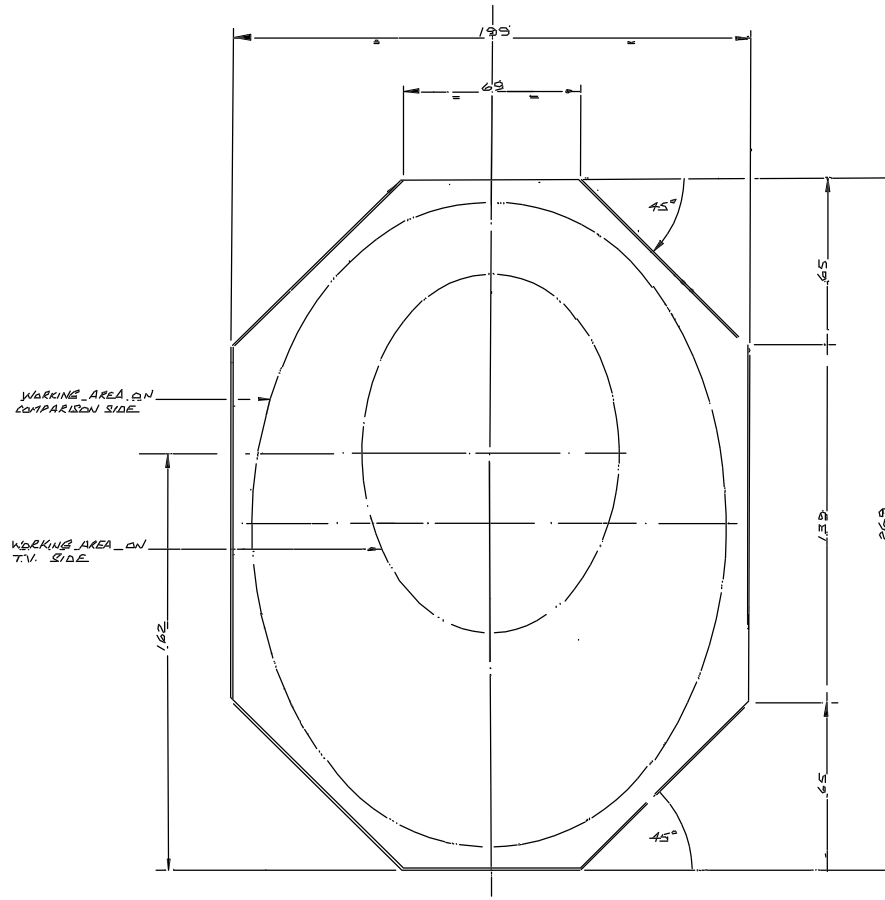
DRAWING NUMBER	No. of Sheets	G.A. Item No.	DRAWING TITLE OR COMPONENT NAME	No. of	MATERIAL STOCK OF ORDER No. AND DATE	REMARKS	ISSUE DATE	ISSUED TO	FINISH DATE
V FV 010	SHT.		PROBE FOR ACQUISITION & COMPARISON			SHEET 1			
V FV 010	SHT.		ACQUISITION & COMP. MIRROR ATTACHMENT			SHEET 2			
V FV 011	1	1	CASTING DRG. BEARING HOUSING	1					
V FV 012		2	MACHINING DRG. BEARING HOUSING	1					
V FV 013/1		3	QUILL	1					
V FV 013/2		4	BALL NUT HOUSING	1					
V FV 013/3		5	MOTOR MOUNTING	1					
V FV 014/1		6	BALL SCREW & NUT	1					
V FV 014/2		7	BALL NUT LOCATER	1					
V FV 014/3		8	BALL SCREW SUPPORT	1					
V FV 004/4		9	BALL NUT SLEEVE	1					
V FV 014/4		10	PLATE	1					
V FV 005/11		11	PROXIMITY SWITCH BRACKET	2					
V FV 006/11		12	SHAFT EXTENSION	1					
V FV 005/7		13	PILLAR	4					
V FV 005/5		14	CLAMP MOUNTING PLATE	1					
V FV 005/9		15	ADJUSTABLE STOP	2					
V FV 005/10		16	FIXED STOP	2					
V FV 015/1		17							
W FV 016		18	COVER	1					
V FV 015/2		19	PLUG	1					
V FV 006/1		20	PRESSURE PLATE	1					
V FV 015/6		21	RETAINING RING	1					
V FV 017		22	MIRROR CELL CASTING DRG.	1					
V FV 018		23	MIRROR CELL MACH. DRG.	1					
V FV 015/3		24	BEZEL PLATE	1					
V FV 015/4		25	SPRING	3					
V FV 015/5		26	PUSH ROD	3					
V FV 015		27	MIRROR	1					
V FV 015/7		28	PUSH SCREW	3					
		29							
		30							
		31							
		32							
		33							
		34							
JOB TITLE					4-2 A & G CASE I.	ASSY DRG. No.	SHEET No.	DRAWN BY	
PROBE & ATTACHMENT FOR ACQUISITION & COMPARISON					V FV 010	1 OF 2	BTH		
ROYAL GREENWICH OBSERVATORY,					HERSTMONCEUX CASTLE,	HAILSHAM,	SUSSEX		
							DATE FEB 86		

Drawing No.
W /FV/019A



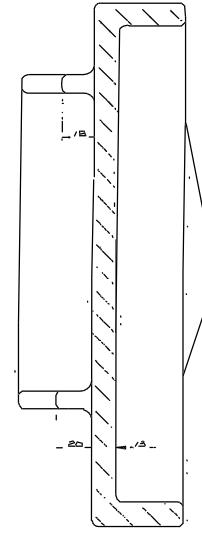
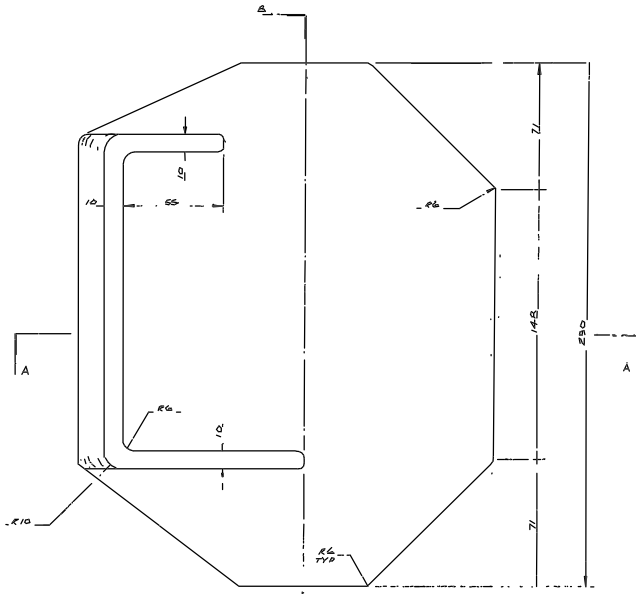
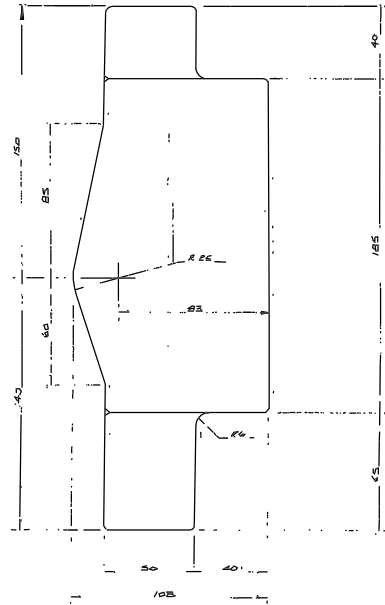
MATERIAL : AUSTENITIC G321 ST. STL.

								Tolerance (Unless otherwise stated)		Material		Dimns. in m.m.		Scale 1:1		THIRD ANGLE PROJECTION		QA No.	
								X +/-		SEE NOTE		ROYAL GREENWICH OBSERVATORY				Title		Drawing No.	
								X.X +/-		Finish		HERSTMONCEUX CASTLE				OPTICS COATING PLATE FOR ACQUISITION FLAT		4.2. A&G	
								X.XX +/- 0.1		CLEAN		HAILSHAM SUSSEX						W /FV/019A	
Issue	Mod.No	Date	Drawn by	Issue	Mod.No	Date	Drawn by			Drq.No.	No.Req..								
				1		JAN 88	BTH				1								

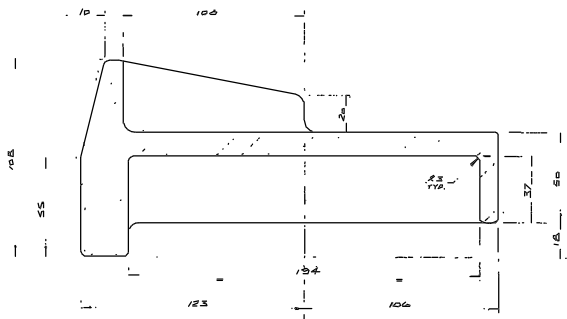


- NOTES 1. SURFACES MARKED TO BE OPTICALLY POLISHED AND FLAT TO ONE FRINGE CALIBRATION SIDE & 1/2 FRINGE T.V. SIDE
2. SURFACES MARKED ARE TO BE PARALLEL TO 2 ARC MINS.
3. ALUMINISING AND OVERCOATING TO BE CARRIED OUT BY R.G.O.

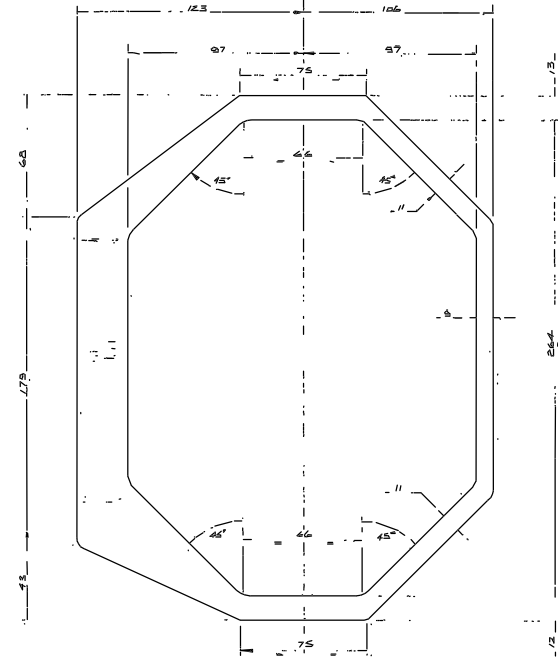
						Tolerances (Unless otherwise stated)		Material <i>DURAN 50</i>		Dimms in m.m.		Scale <i>FULL SIZE</i>		THIRD ANGLE PROJECTION <i>LARGE DRAWING 1:27 AND CASES</i>		G.A. No.	
						X ± 0.1		Finish <i>SEE NOTE</i>		ROYAL GREENWICH OBSERVATORY, HERSTMONGEUX, CASTLE, HAILSHAM				Title <i>MIRROR</i>		Drawing No.	
Issue	Mod. No.	Date	Drawn By	Issue	Mod. No.	Date	Drawn By			Used on						<i>W/FV/019</i>	



SECTION B-B



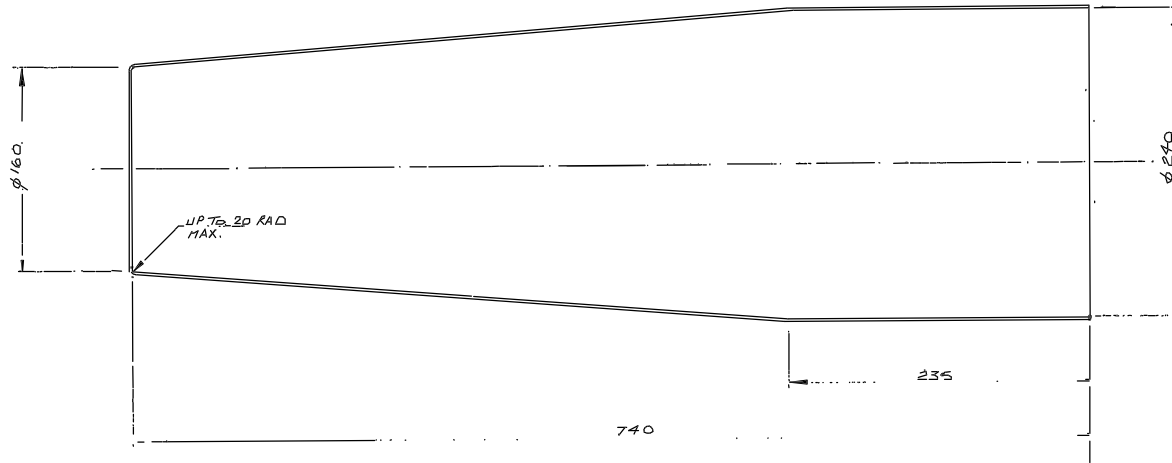
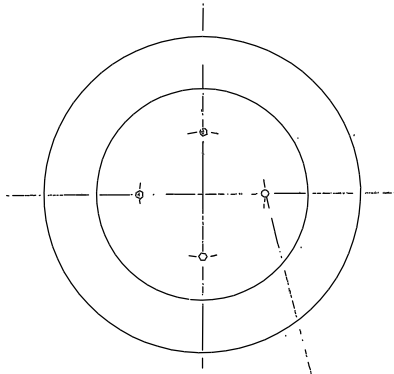
SECTION A-A



Tolerances (Unless otherwise stated)		Material CAST ALLOY LM 21.14		Dimms. in m.m.		Scale FULL SIZE		THIRD ANGLE PROJECTION		G.A. No.	
XX ±	± 0.5	Finish		Drw. No	No Res	ROYAL GREENWICH OBSERVATORY, HERSTMONCEUX CASTLE, HAILSHAM		TITLE MIRROR CELL CASTING DRG.		Drawing No.	
XXX ±	-	Used on				SUSSEX.				V/FV/017	
Issue	Mod No.	Date	Drawn By	Issue	Mod No.	Date	Drawn By				

Drawing No.

W/FV/016



Issue	Mod. No.	Date	Drawn By	Issue	Mod. No.	Date	Drawn By
				17/05	BTH		

Tolerances (Unless otherwise stated)
 X ±
 XX ±
 XXX ±

Material
 1.5mm AL. ALLOY
 Finish
 BL. ANODISE

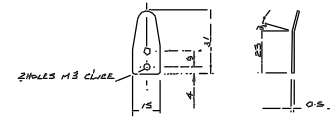
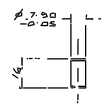
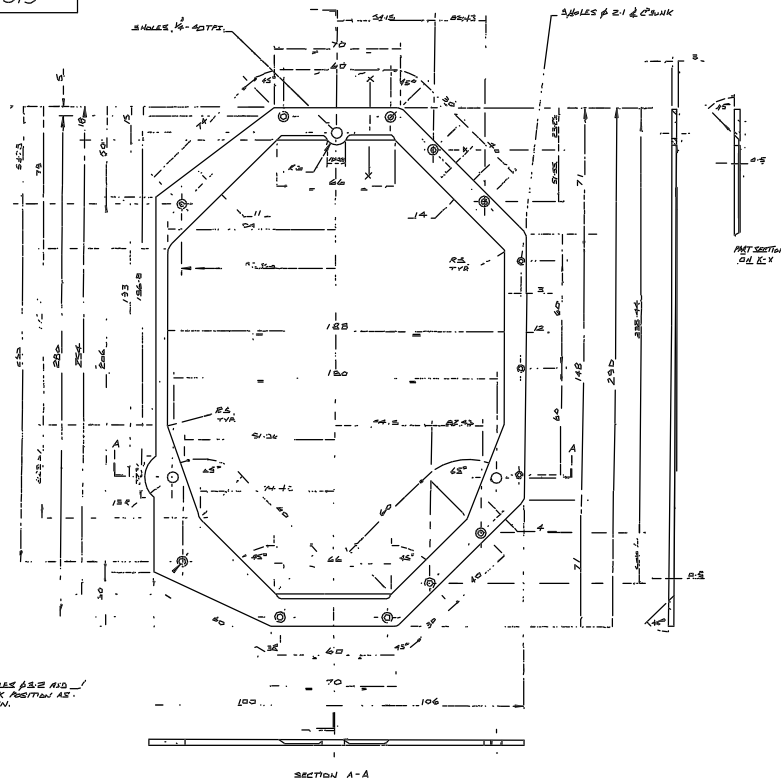
Qty. No.	No. Req.
1	

Dimms in m.m. Scale 1/2
 ROYAL GREENWICH OBSERVATORY,
 HERSTMONCEUX CASTLE,
 HAILSHAM SUSSEX.

THIRD ANGLE PROJECTION
 LARGE PROBE FOR ASB. BASE
 COVER

G.A. No.
 Drawing No.
 W/FV/016

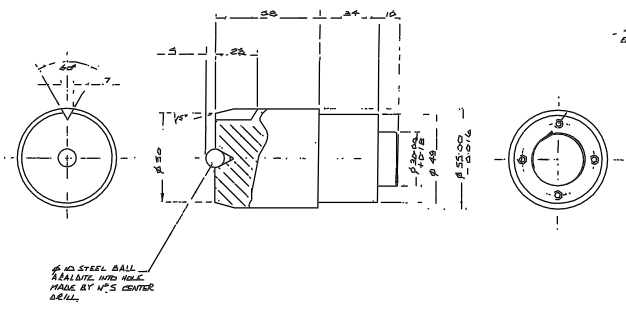
DRG No
V/FV/015



NOTE: HEAT TO 200°C FOR 1 1/2 HRS.

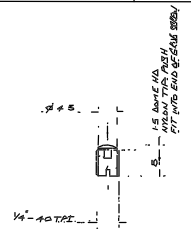
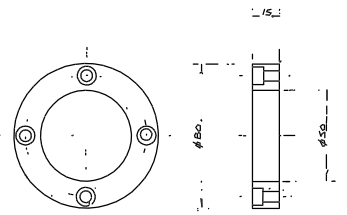
26 PUSH ROD			
MATERIAL	SCALE	TOLERANCES	
INVAR 36	FULL SIZE	X ± 0.25	
TITANIUM	REDUCED PER UNIT	± 0.1	
2.4 FT			
REG. V/FV/015/3			

25 SPRING			
MATERIAL	SCALE	TOLERANCES	
INVAR 36	FULL SIZE	X ± 0.25	
TITANIUM	REDUCED PER UNIT	± 0.1	
2.4 FT			
REG. V/FV/015/4			



24 BEZEL PLATE			
MATERIAL	SCALE	TOLERANCES	
MILK STEEL	FULL SIZE	± 0.05	
BL. CHROME	REDUCED PER UNIT	± 0.01	
2.4 FT			
REG. V/FV/015/3			

19 PLUG			
MATERIAL	SCALE	TOLERANCES	
INVAR 36	FULL SIZE	X ± 0.15	
TITANIUM	REDUCED PER UNIT	± 0.05	
2.4 FT			
REG. V/FV/015/2			

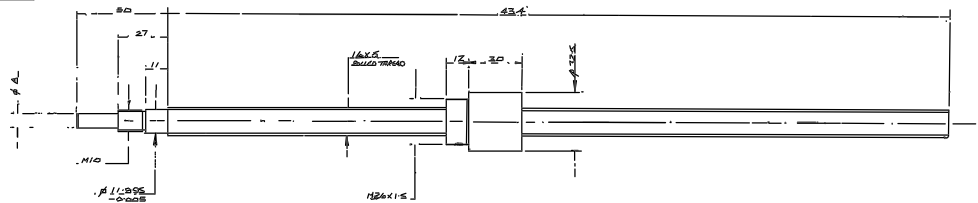


21 RETAINING RING			
MATERIAL	SCALE	TOLERANCES	
MILK STEEL	FULL SIZE	± 0.25	
BL. CHROME	REDUCED PER UNIT	± 0.01	
2.4 FT			
REG. V/FV/015/2			

28 PUSH SCREW			
MATERIAL	SCALE	TOLERANCES	
SPRINGERITE ST.	FULL SIZE	± 0.25	
TITANIUM	REDUCED PER UNIT	± 0.1	
2.4 FT			
REG. V/FV/015/7			

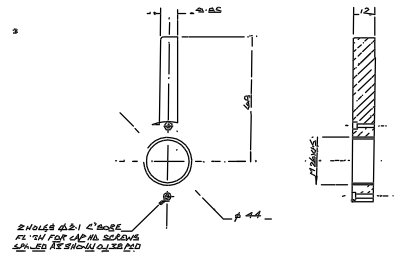
Tolerance (unless otherwise stated)	Material	Dimts. in m.m.	Scale	THIRD ANGLE PROJECTION	G.A. No.
X ±	Finish	ROYAL GREENWICH OBSERVATORY, HERSTMONCEUX CASTLE, HAILSHAM		<i>CAGE PLATE 2-21, 2-2 & CASE I</i>	Drawing No
XX ±				DETAILS	V/FV/015
XXX ±					
Issue	Mod No	Date	Drawn By	Issue	Mod No
			FEB 54 BTH		

Drig No
V/FV/014

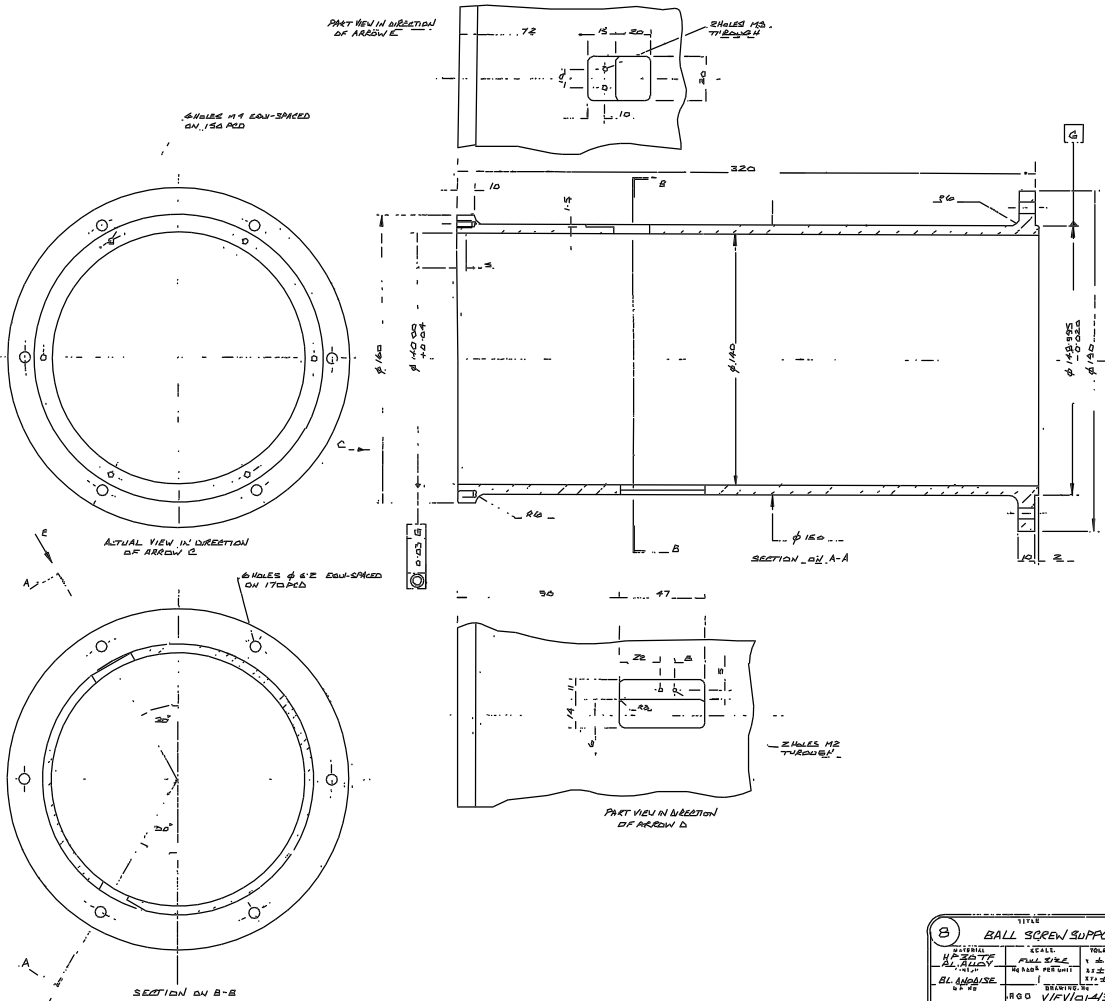


ORDER CODE: BET-SF 14X5 : 2 TRAVEL RM
UNIMATE ENGINEERS LTD GRANVILLE WALS
122 GRANVILLE ROAD CHERLEBOURNE WIMBORNE
NOTE: END MADE MANUFACTURE BY AGO.

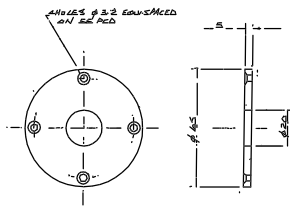
6 BALL SCREW & NUT		
MATERIAL	SCALE	TOLERANCES
STEEL	1:1	± 0.025
FINISH	REASONABLE	± 0.10
DATE	REVISED	± 0.05
BY	NO. OF	
	R.D. NO.	V/FV/014/1



7 BALL NUT LOCATOR		
MATERIAL	SCALE	TOLERANCES
MILD STEEL	1:1	± 0.05
FINISH	REASONABLE	± 0.10
DATE	REVISED	± 0.05
BY	NO. OF	
	R.D. NO.	V/FV/014/2

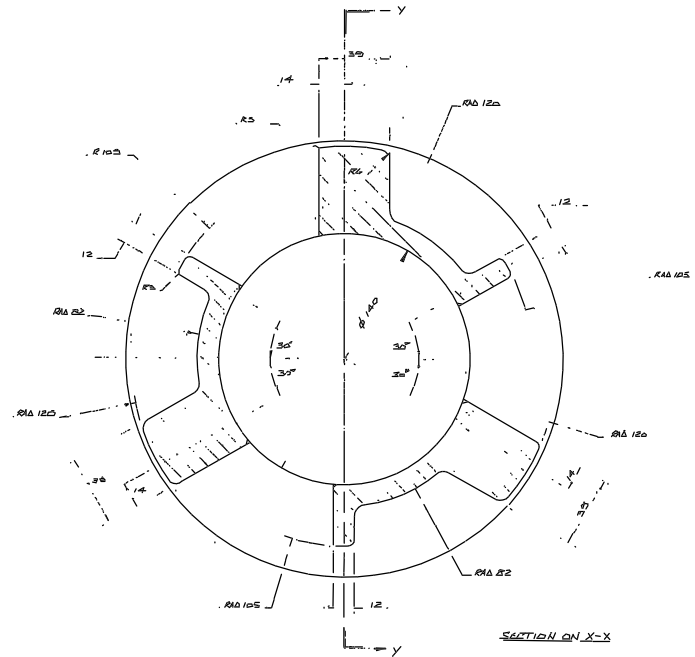
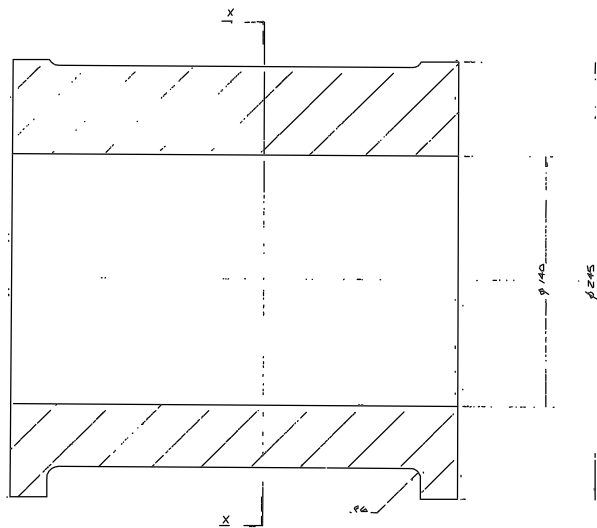
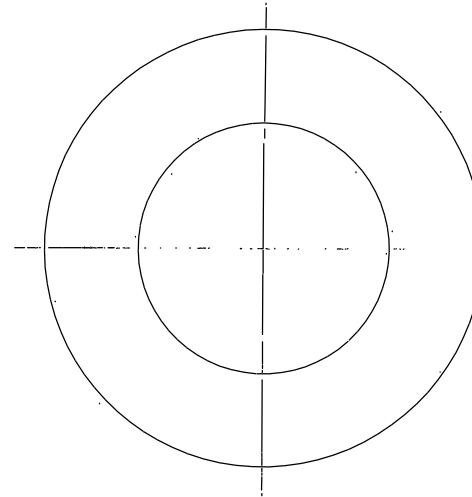
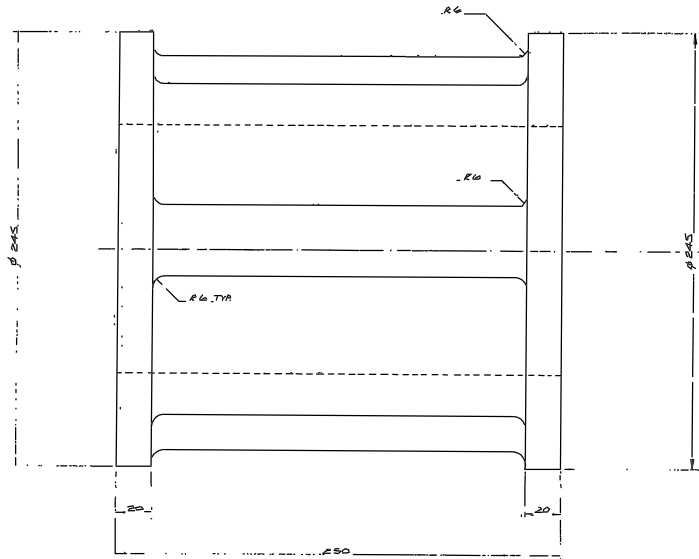


8 BALL SCREW SUPPORT		
MATERIAL	SCALE	TOLERANCES
STEEL	1:1	± 0.025
FINISH	REASONABLE	± 0.10
DATE	REVISED	± 0.05
BY	NO. OF	
	R.D. NO.	V/FV/014/3



10 PLATE		
MATERIAL	SCALE	TOLERANCES
MILD STEEL	1:1	± 0.05
FINISH	REASONABLE	± 0.10
DATE	REVISED	± 0.05
BY	NO. OF	
	R.D. NO.	V/FV/014/4

THIRD ANGLE PROJECTION										G.A. No.																											
LARGE SCALE DRAWING										V/FV/014																											
Issue					Mod No.					Date		Drawn By		Issue		Mod No.		Date		Drawn By		Tolerances (Unless otherwise stated)		Material		Finish		Dimms. in m.m.		Scale		Title		G.A. No.			
																																ROYAL GREENWICH OBSERVATORY, HERSTMONGEUX CASTLE, HALLSHAM SUSSEX		DETAILS		V/FV/014	

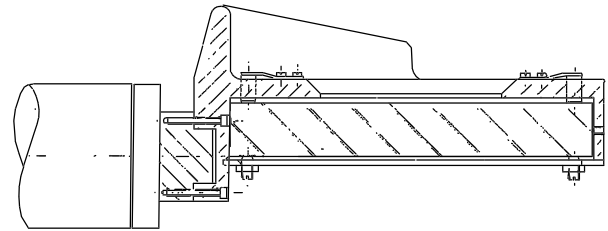
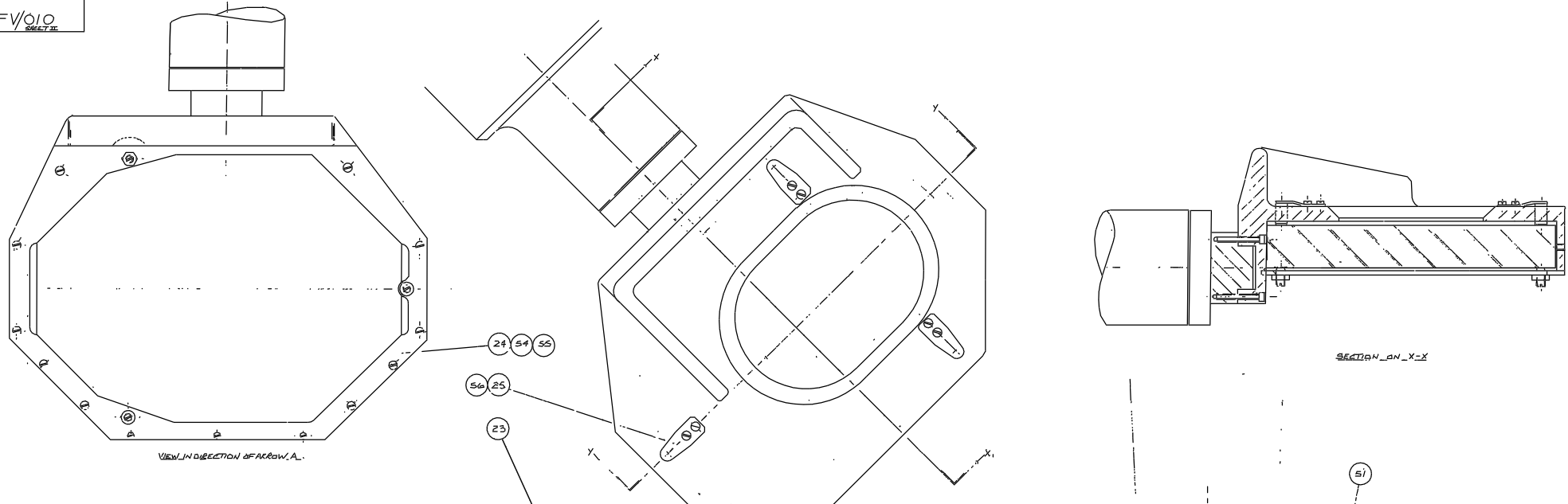


SECTION ON Y-Y

SECTION ON X-X

1

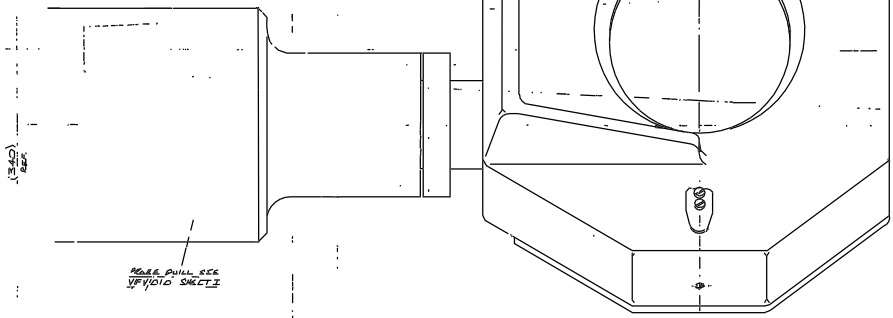
								Tolerances (Unless otherwise stated)		Material GENERAL GRADE CAST IRON		Dimms. in m.m.		Scale FULL SIZE		THIRD ANGLE PROJECTION		G.A. No.	
								X 1:25		None		ROYAL GREENWICH OBSERVATORY, HERSTMONGUEUX CASTLE, HAILSHAM				Title BEARING HOUSING CASTING ABC.		Drawing No	
								XX 1:—		Fresh		Dwg No						V/FV/011	
										Used on									
Issue	Mod No	Disc	Drawn By	Issue	Mod No.	Disc	Drawn By												
			JAN 56				BTH												



VIEW IN DIRECTION OF ARROW A.

SECTION AN X-X

7X AXIS
 50X A AXIS



MOUNT SHALL SEE
 V/FV/010 SHEET I

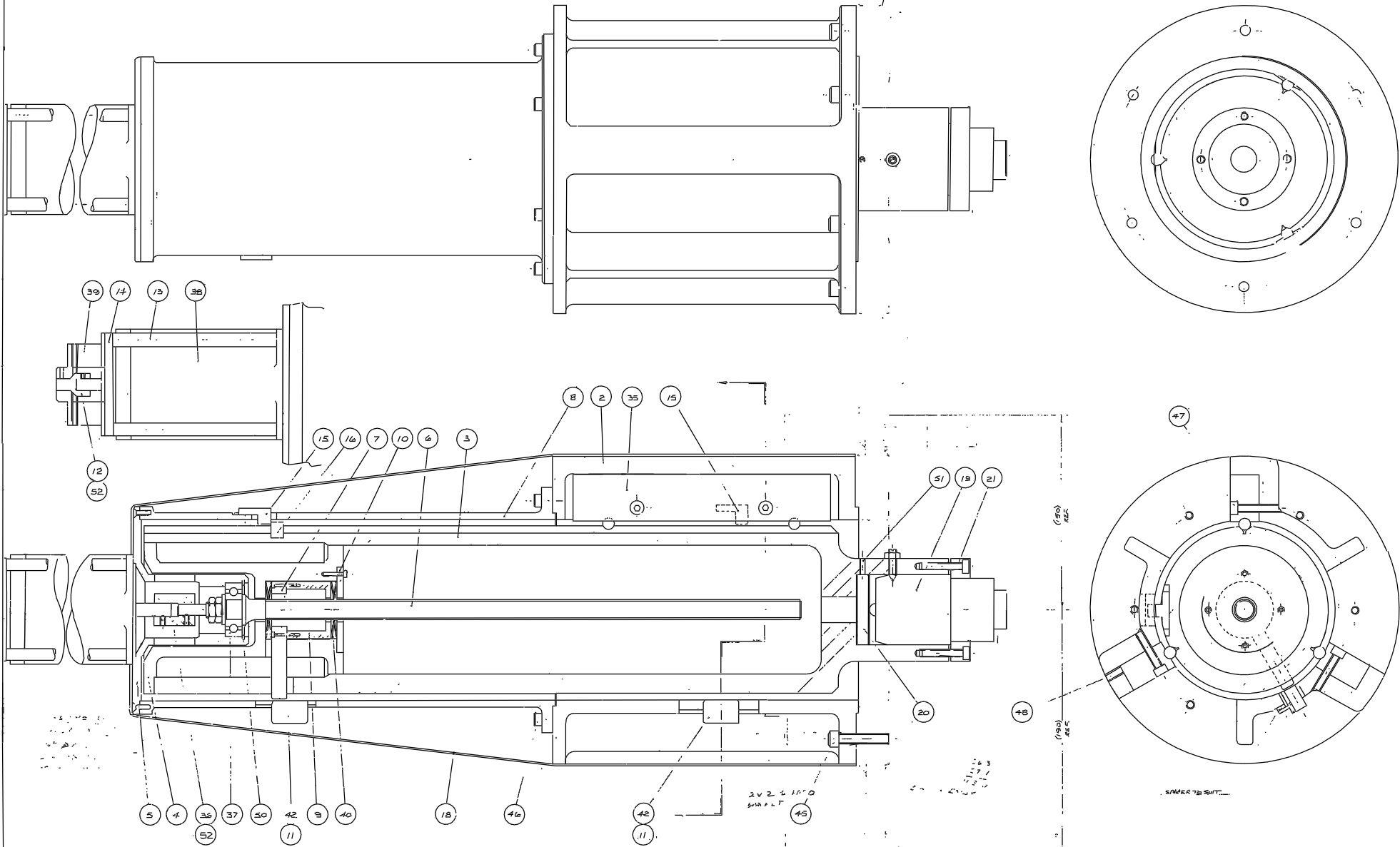
SECTION AN Y-Y

350 STROKE REF

(100) REF

ORIGIN FIELD
 LEADER

Issue								Tolerances (Unless otherwise stated)		Material		Dimms. in M.M.		Scale FULL SIZE		Title		G.A. No.	
Issue	Mtd No.	Date	Drawn By	Issued	Mtd No.	Date	Drawn By	X ±	XX ±	XXX ±	SEE DETAILS	SEE DETAILS	Drw No.	No. Rev	ROYAL GREENWICH OBSERVATORY, HERSTMONCEUX CASTLE, HAILSHAM	SUSSEX.	THIRD ANGLE PROJECTION LEN. ASG. CASE II	ASSY ACQUISITION & COMPARISON MIRROR ATTACHMENT	V/FV/010 SHEET II



Issue#	Mod. No.	Date	Drawn By	Issue	Mod. No	Date	Drawn By	Tolerances (unless otherwise stated)	Material	Finish	Dimns. in m.m.	Scale	Title	G.A. No.	
								X ± XX ± XXX ±					THIRD ANGLE PROJECTION 1.2 METER ACQUISITION - GUIDING INSTRUMENT		
						21.10.85	BTH						ROYAL GREENWICH OBSERVATORY, HERSTMONCEUX CASTLE, HAILSHAM SUSSEX.	V/FV/OIO SHEET 1	
											Drwg No	No Rev			
											Used on				