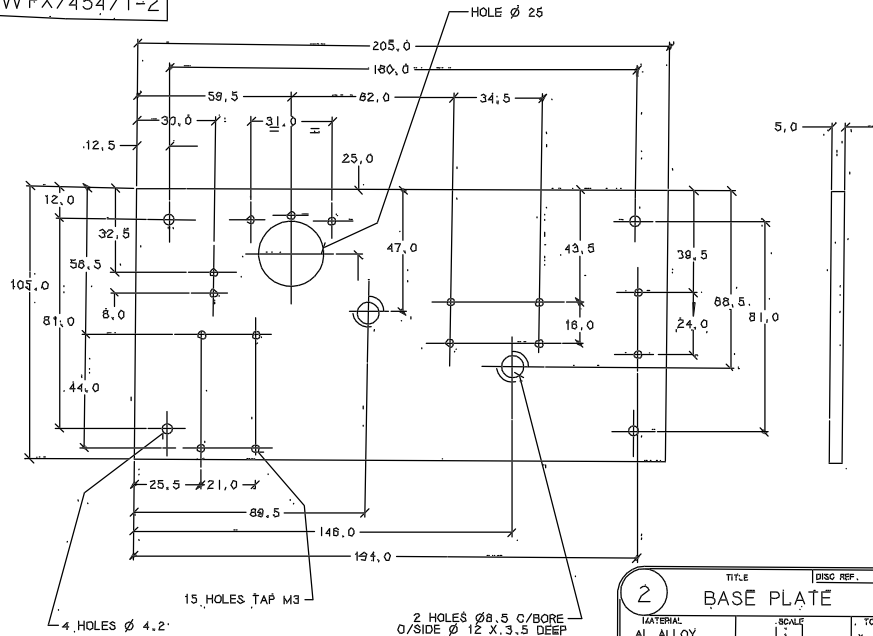
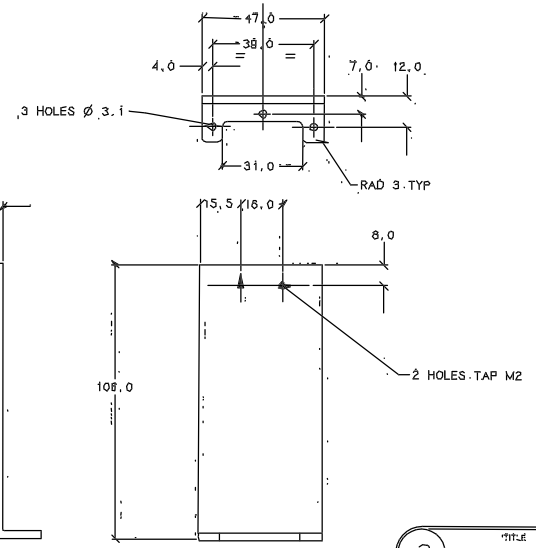
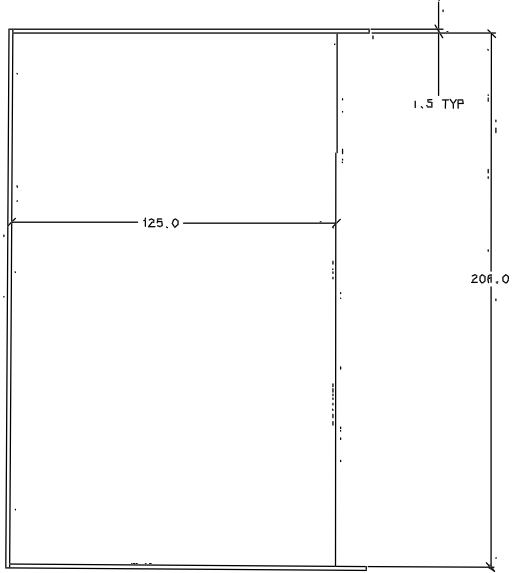
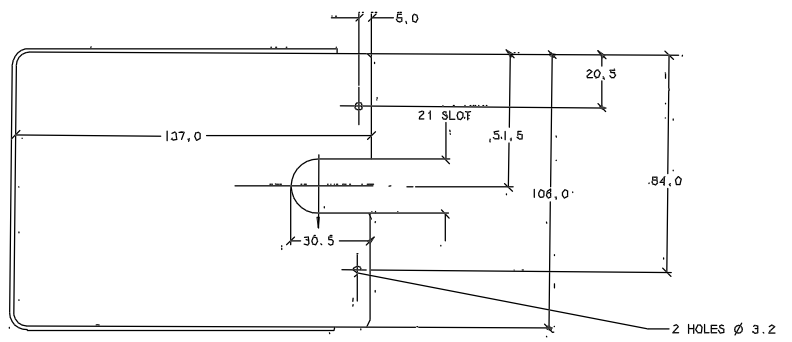


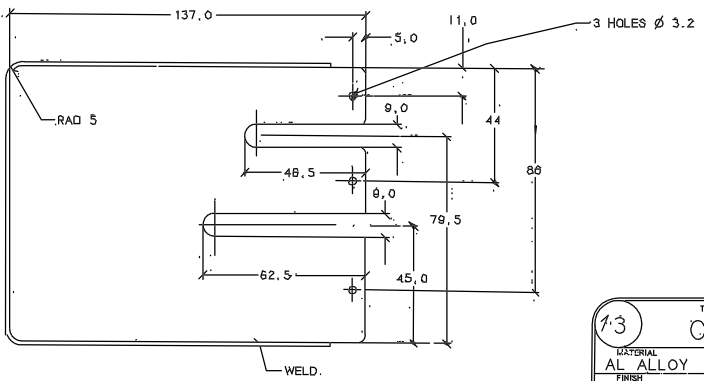
Drawing No.
WFX/454/1-2



TITLE		DISC REF.	
2		BASE PLATE	
MATERIAL	SCALE	TOLERANCES ±	
AL ALLOY	1:1	X	0.2
FINISH	No. REQ. PER UNIT	X	XX
BL ANODISE	1	X	XX
G.A. No.	DRAWING No.		
W/FX/453	RGO W/FX/454.		



TITLE		DISC REF.	
3		BRACKET F	
MATERIAL	SCALE	TOLERANCES ±	
AL ALLOY	1:1	X	0.2
FINISH	No. REQ. PER UNIT	X	XX
BL ANODISE	1	X	XX
G.A. No.	DRAWING No.		
W/FX/453	RGO W/FX/454/1		

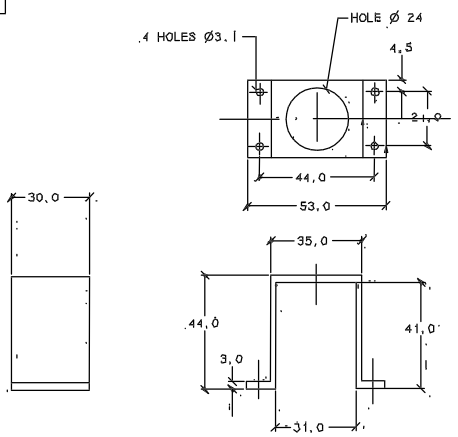


TITLE		DISC REF.	
13		COVER	
MATERIAL	SCALE	TOLERANCES ±	
AL ALLOY	1:1	X	0.2
FINISH	No. REQ. PER UNIT	X	XX
BL ANODISE	1	X	XX
G.A. No.	DRAWING No.		
W/FX/453	RGO W/FX/454/2		

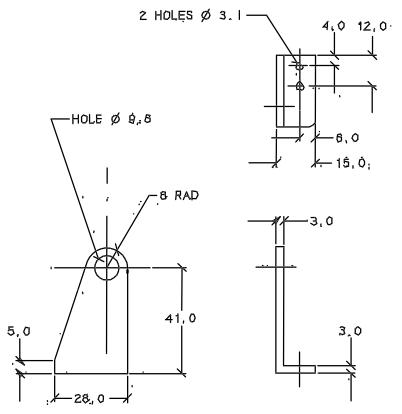
Material	Dimns. in m.m.	Scale	THIRD ANGLE PROJECTION	GA No. W/FX/453
Finish	Proj. No.	No. Req.	ROYAL GREENWICH OBSERVATORY HERSTMONCEUX CASTLE HAILSHAM SUSSEX	Drawing No.
	Used on		4.2M A&G. AUTOGUIDER N2 DETAILS	WFX/454/1-2

Issue	Mod. No.	Date	Drawn by	Issue	Mod. No.	Date	Drawn by
MAR 89 BTH							
Tolerance (Unless otherwise stated): X +/- X.X +/- X.XX +/-							

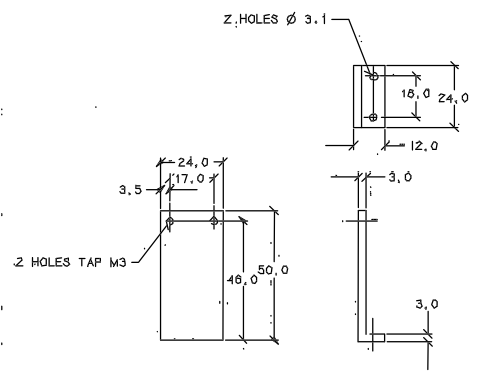
Drawing No. W /FX/455-460



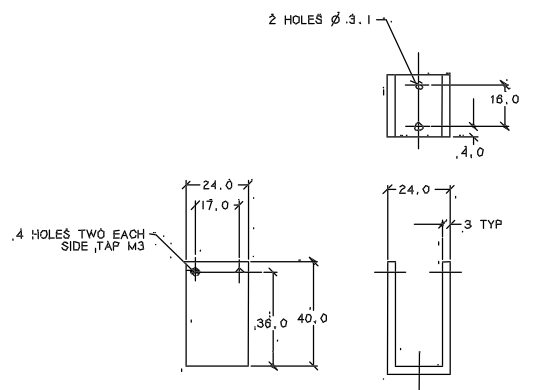
5		TITLE	DISC REF.
		BRACKET B	
MATERIAL	SCALE	TOLERANCES ±	
AL ALLOY	1:1	X	± 0.2
FINISH	No. REQD. PER UNIT	Y	X.X
NONE	1	Z	XX
G.A. No.	DRAWING No.		
W/FX/453	RGD W/FX/455		



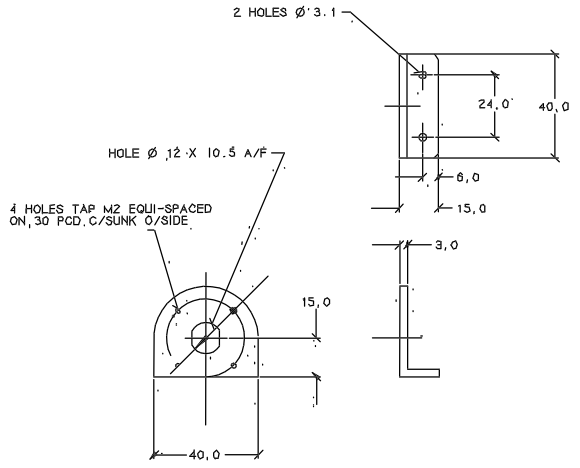
6		TITLE	DISC REF.
		BRACKET C	
MATERIAL	SCALE	TOLERANCES ±	
AL ALLOY	1:1	X	± 0.2
FINISH	No. REQD. PER UNIT	Y	X.X
NONE	1	Z	XX
G.A. No.	DRAWING No.		
W/FX/453	RGD W/FX/456		



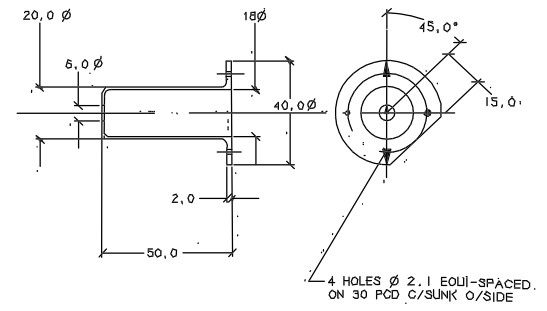
7		TITLE	DISC REF.
		BRACKET D	
MATERIAL	SCALE	TOLERANCES ±	
AL ALLOY	1:1	X	± 0.2
FINISH	No. REQD. PER UNIT	Y	X.X
NONE	1	Z	XX
G.A. No.	DRAWING No.		
W/FX/453	RGD W/FX/457		



8		TITLE	DISC REF.
		BRACKET E	
MATERIAL	SCALE	TOLERANCES ±	
AL ALLOY	1:1	X	± 0.2
FINISH	No. REQD. PER UNIT	Y	X.X
NONE	2	Z	XX
G.A. No.	DRAWING No.		
W/FX/453	RGD W/FX/458		

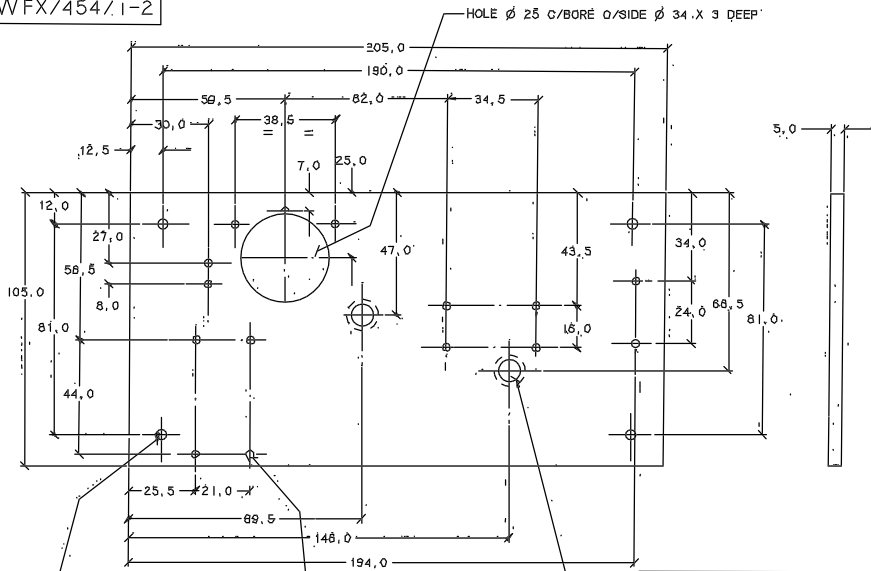


9		TITLE	DISC REF.
		BRACKET F	
MATERIAL	SCALE	TOLERANCES ±	
AL ALLOY	1:1	X	± 0.2
FINISH	No. REQD. PER UNIT	Y	X.X
NONE	1	Z	XX
G.A. No.	DRAWING No.		
W/FX/453	RGD W/FX/459		



10		TITLE	DISC REF.
		LEMO COVER	
MATERIAL	SCALE	TOLERANCES ±	
AL ALLOY	1:1	X	± 0.2
FINISH	No. REQD. PER UNIT	Y	X.X
BL ANODISE	1	Z	XX
G.A. No.	DRAWING No.		
W/FX/453	RGD W/FX/460		

Drawing No.
WFX/454/i-2

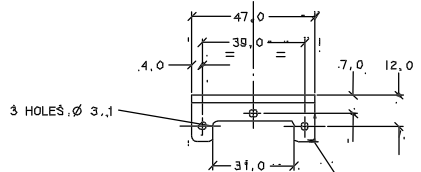


15 HOLES TAP M3

4 HOLES Ø 4.2

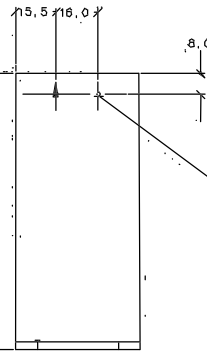
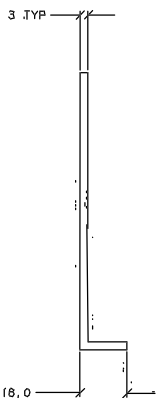
2 HOLES Ø 8.5 C/BORE
0/SIDE Ø 12.X 3.5 DEEP

TITLE		DISC REF.	
2		BASE PLATE	
MATERIAL	SCALE	TOLERANCES ±	
AL ALLOY	1:1	X	0.2
FINISH	No. REQD. PER UNIT	X.X	
BL ANODISE	1	X.XX	
G.A. No.	DRAWING No.		
W/FX/454	RG0 W/FX/454/1		

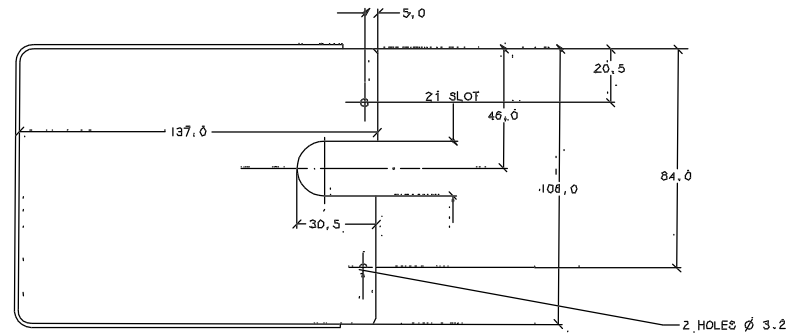


3 HOLES Ø 3.1

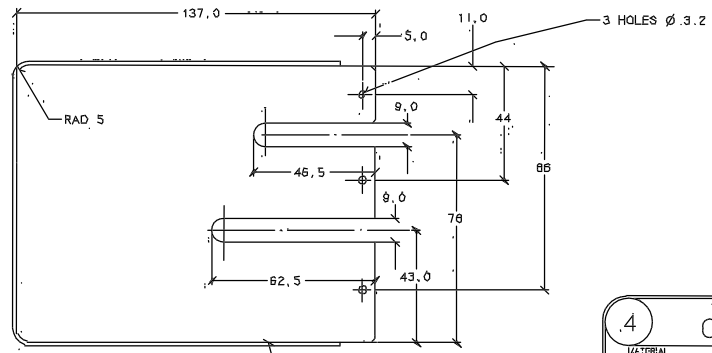
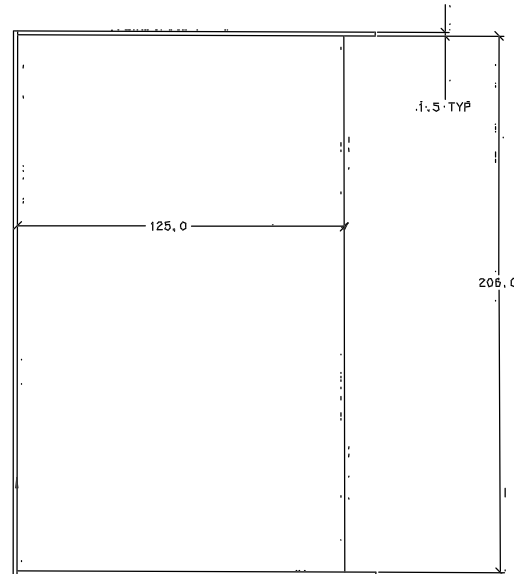
RAD 3 TYP



TITLE		DISC REF.	
3		BRACKET A	
MATERIAL	SCALE	TOLERANCES ±	
AL ALLOY	1:1	X	0.2
FINISH	No. REQD. PER UNIT	X.X	
BL ANODISE	1	X.XX	
G.A. No.	DRAWING No.		
W/FX/454	RG0 W/FX/454/2		



2 HOLES Ø 3.2



TITLE		DISC REF.	
4		COVER	
MATERIAL	SCALE	TOLERANCES ±	
AL ALLOY	1:1	X	0.2
FINISH	No. REQD. PER UNIT	X.X	
BL ANODISE	1	X.XX	
G.A. No.	DRAWING No.		
W/FX/454	RG0 W/FX/454/3		

Issue	Mod.No	Date	Drawn by	Issue	Mod.No	Date	Drawn by

Material	Dimns. in m.m.	Scale
Finish	Drg.No.	No. Req.
	Used on	

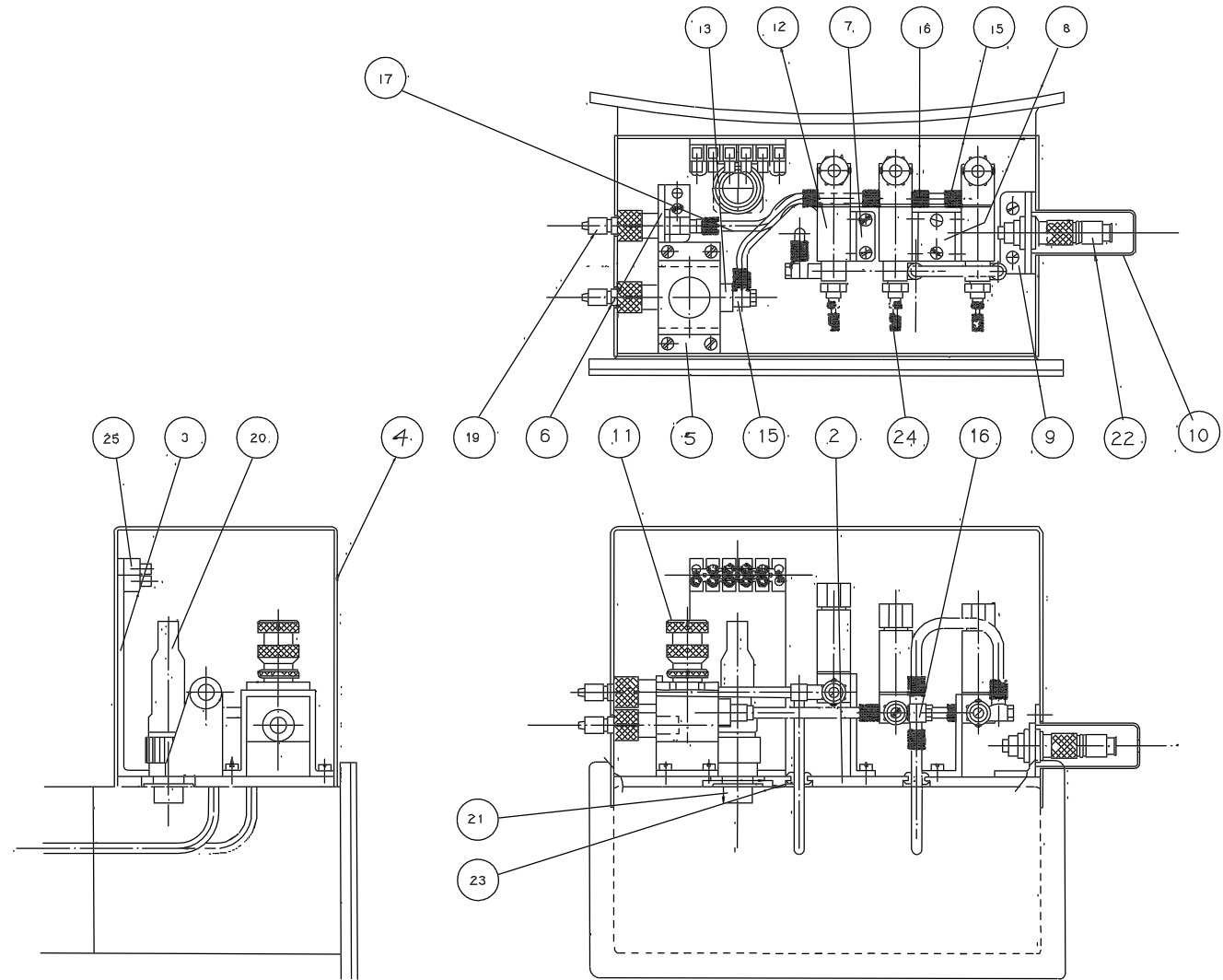
THIRD ANGLE PROJECTION		GA No.	
4.2M A&G AUTOSUIDER		Drawing No.	
N2 DETAILS		WFX/454/1-3	

Tolerance (Unless otherwise stated)
X +/-
X.X +/-
X.XX +/-

ROYAL GREENWICH OBSERVATORY
HERSTMONCEUX CASTLE
HAILSHAM SUSSEX

MAR 89 BTH

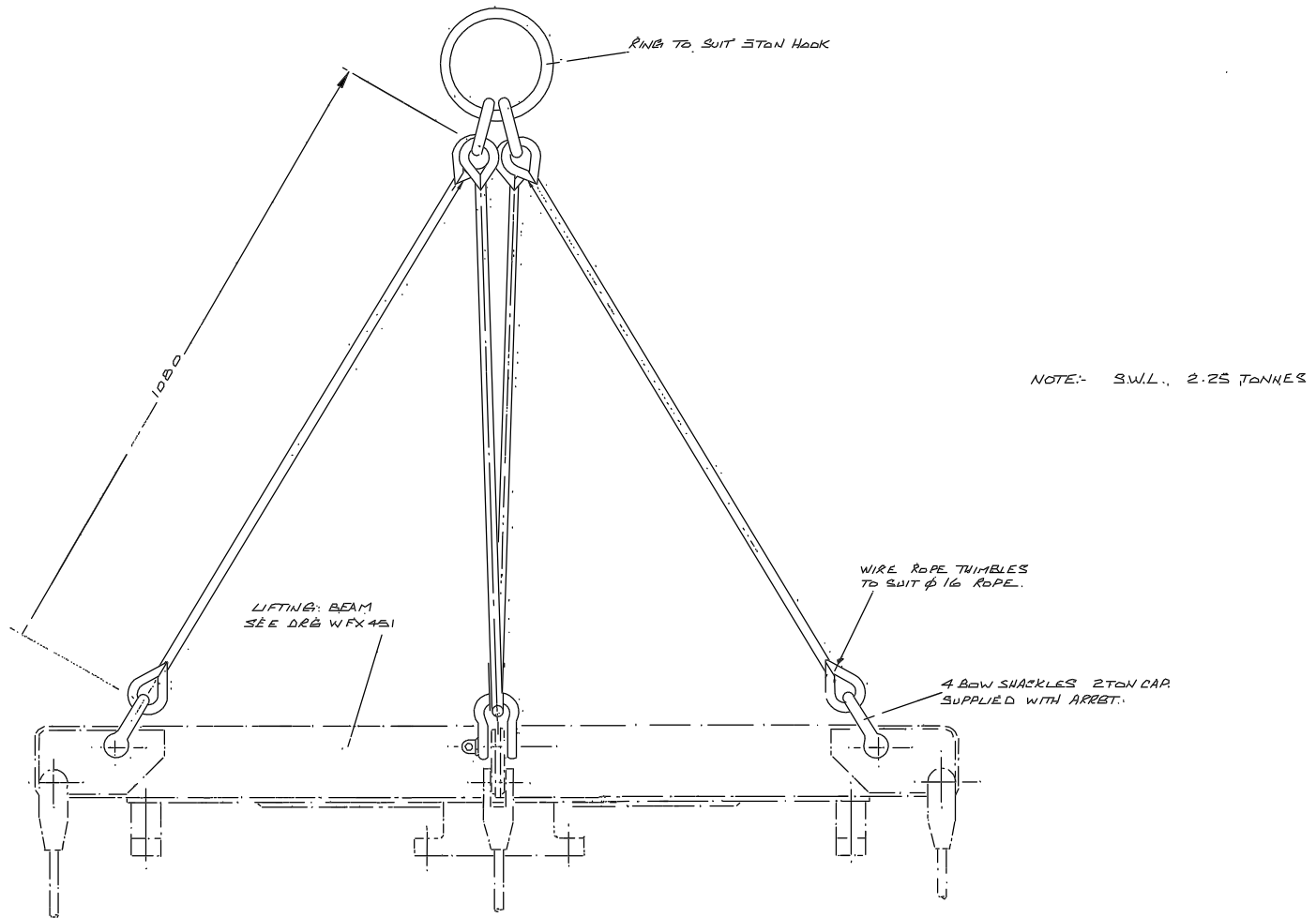
Drawing No.
W /FX/454



								Tolerance (Unless otherwise stated)		Material		Dimms. in m.m.		Scale FULL SIZE		THIRD ANGLE PROJECTION		GA No.	
								X ± 1/2		Finish		ROYAL GREENWICH OBSERVATORY,		1/110		N2 AUTO SUPPLY		Drawing No.	
								X.X ± 1/2		Drg. No. No. Req.		HERSTMONGEUX CASTLE						W /FX/454	
								X.XX ± 1/2		Used on		HAILSHAM SUSSEX							
Issue	Mod. No.	Date	Drawn by	Issue	Mod. No.	Date	Drawn by												
				MAR 05	BTH														

Drawing No.

W/FX/453



								Tolerances (Unless otherwise stated)		Material		Dimms in r.m.		Scale 1/4		THIRD ANGLE PROJECTION		G.A. No.	
								X ± 2.0.				1 SET				ROYAL GREENWICH OBSERVATORY,		Drawing No.	
								X.X ±		Finish		Drg. No.		No. Pgs.		HERSTMONCEUX CASTLE,		W/FX/453	
								X.XX ±		Used on						HALSHAM			
																SUSSEX.			
																Title			
																LIFTING ARRET. BEAM TO CRANE HOOK			