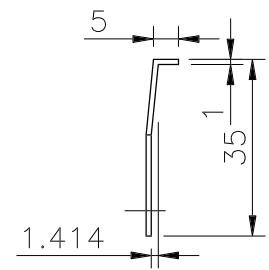
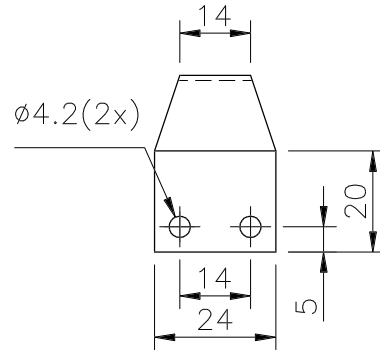
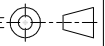


Drawing No:

BAISF10

DO NOT SCALE IF IN DOUBT ASK

THIRD ANGLE



4 off

UNLESS OTHERWISE STATED
 ALL DIMENSIONS IN mm
 GENERAL TOL: ± 0.2
 ANGULAR TOL: ± 0.2
 SURFACE FINISH 1.6
 (MICRONS) ✓
 REMOVE ALL SHARP EDGES

This document belongs to the ISAAC NEWTON GROUP of TELESCOPES and may not be copied, reproduced or displayed in whole or in part without the express written consent of the ISAAC NEWTON GROUP of TELESCOPES

TITLE:

Clip
Ingrid Silver Flat

MATERIAL: Copper plate

ORIGINAL SCALE: 1:1

MAIN SYSTEM: A&G Box

DWG TYPE: part

SUB-SYSTEM: Silver Ingrid

LOCATION: BA

FINISH: clean

SHEET SIZE: A3

ITEM: Flat

USED ON: BAISF09


ENG DISCIPLINE: MECHANICAL

DRAWING NUMBER: BAISF10

SHEET 1 of 1

ISAAC NEWTON GROUP
 Apartado de Correos, 321
 38780 S/C de La Palma
 Canary Islands
 SPAIN

Tel: +34 922 425 400

 ISAAC NEWTON GROUP OF TELESCOPES <i>Apartado de Correos 321, 38780 S/C de La Palma, Canary Islands, SPAIN</i>	TITLE:	Ingrid Silver Flat INGRID Lens Mounts	NAME	DATE	REVISION
	DWG No:	BAISF00	DRAWN:	Eric Hogervorst	24/01/00
			CHECKED:		
			APPROVED:		

GA ITEM No.	DRAWING NUMBER	REV	DRAWING TITLE OR COMPONENT NAME	No. Per ASSEMBLY	REMARKS	MATERIAL
	BAISF00	1	General Assembly	1		
1	BAISF01	1	Base Plate	1		Dural
2		1	Rail	2	NSK LS-25-640-CL-2-PN-Z1-II	
3		1	Slide	4	NSK LS-25-640-CL-2-PN-Z1-II	
4	BAISF04	1	Moving Plate	1		Dural
5	BAISF05	1	Web	1		Dural
6	BAISF06	1	Web	2		Dural
7	BAISF07	1	Adjust mount	3		Dural
8	BAISF08	1	Mounting Plate	1		Dural
9	BAISF09	1	Backing Plate	1		Dural
10	BAISF10	1	Clip	4		Copper
11	BAISF11	1	Mirror	1	Specac	BK7
12	BAISF12	1	Pin	3		Stainless steel 316
13		1	Nut M5	3		
14		1	Screw M5	3		
15		1	Spring	3		
16		1	Washer	3	ID= 8.3 OD=14	
17		1	Cap Head	9	M4x12	
18		1	Cap Head	8	M3x10	
19		1	Cap Head	22	M6x15	
20		1	Cap Head	16	M5x15	
21		1	Cap Head	8	M6x25	
22		1	Cap Head	6	M6x35	
23		1	Cap Head	3	M6x10	
24		1	Cap Head	6	M6x15	

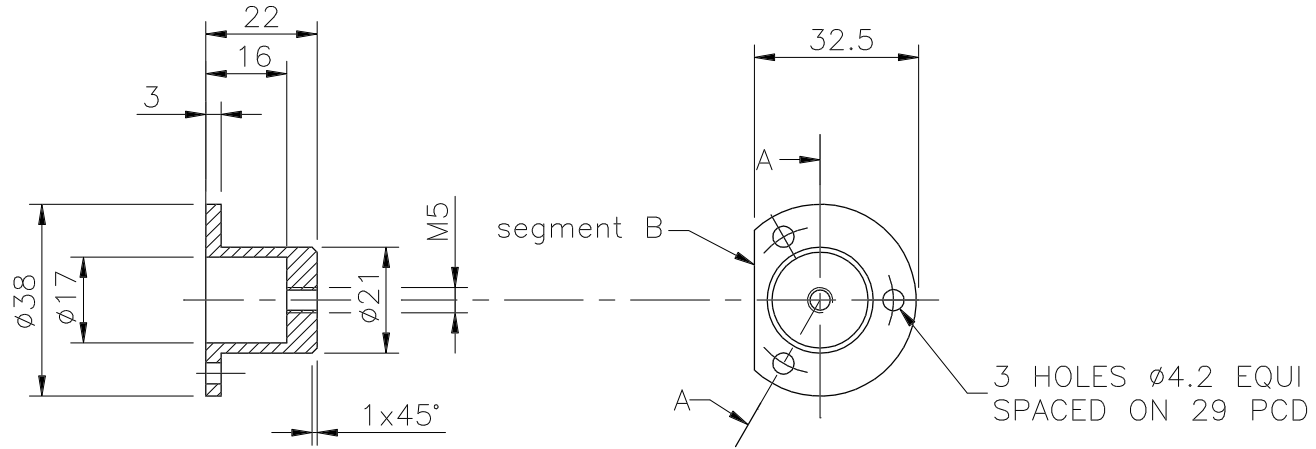
Drawing No:

BAISF07

DO NOT SCALE IF IN DOUBT ASK

THIRD ANGLE

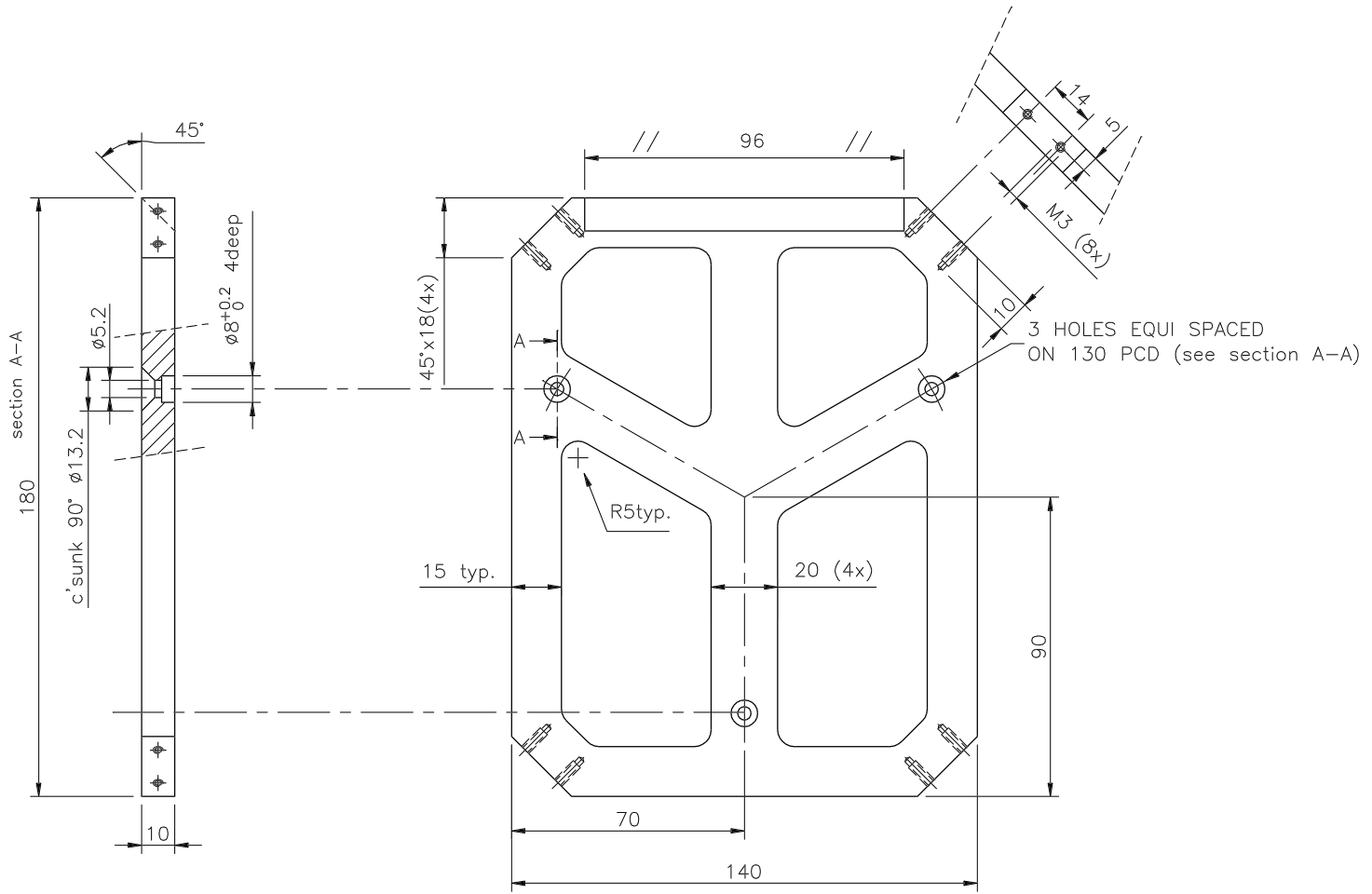
section A-A



note: total quantity: 3
one without segment B

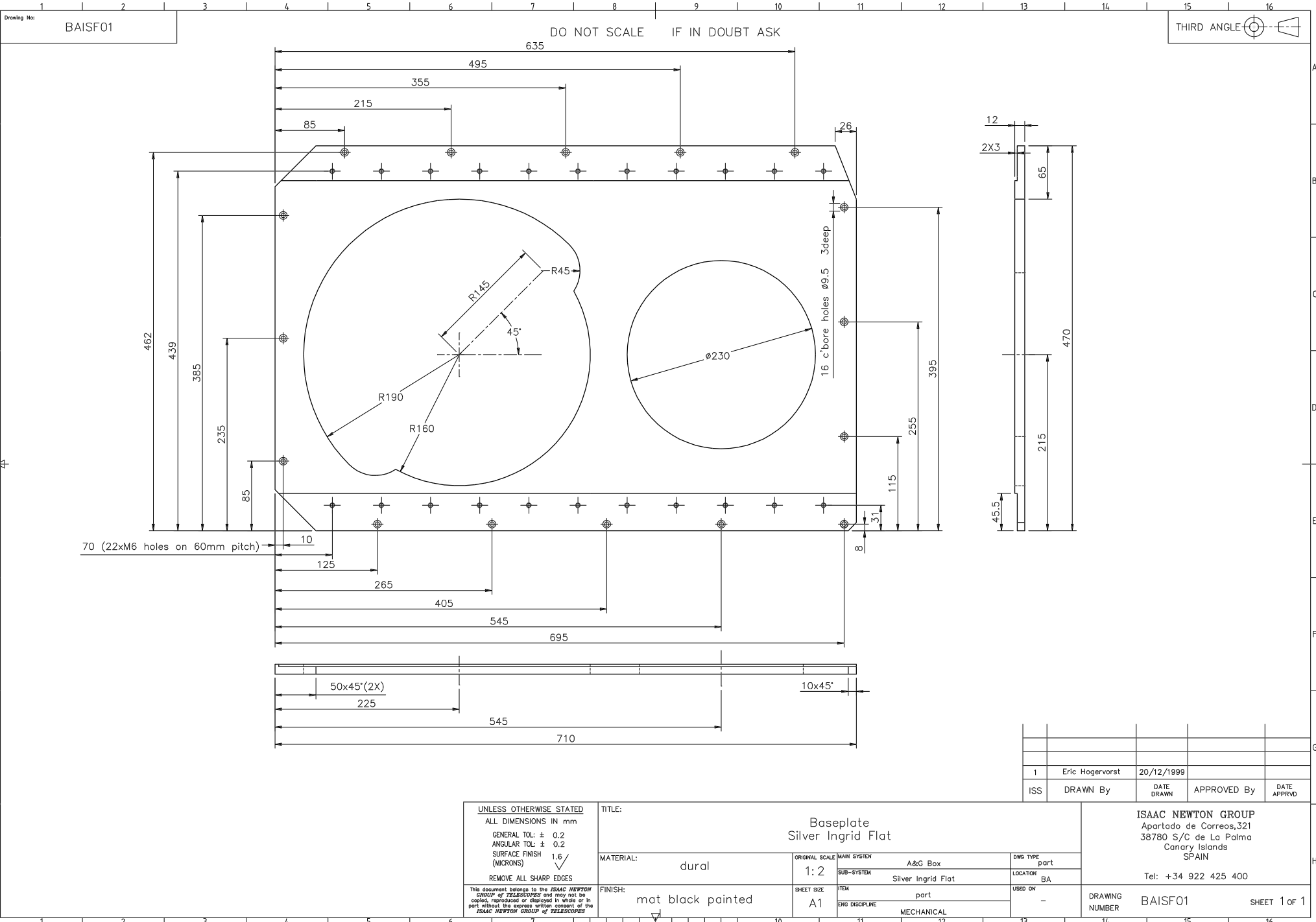
1	Eric Hogervorst	22/12/1999		
ISS	DRAWN By	DATE DRAWN	APPROVED By	DATE APPRVD

UNLESS OTHERWISE STATED ALL DIMENSIONS IN mm GENERAL TOL: ± 0.2 ANGULAR TOL: ± 0.2 SURFACE FINISH 1.6 (MICRONS) ✓ REMOVE ALL SHARP EDGES <small>This document belongs to the ISAAC NEWTON GROUP of TELESCOPES and may not be copied, reproduced or displayed in whole or in part without the express written consent of the ISAAC NEWTON GROUP of TELESCOPES</small>	TITLE: Adjustmount Ingrid Silver Flat				ISAAC NEWTON GROUP Apartado de Correos, 321 38780 S/C de La Palma Canary Islands SPAIN Tel: +34 922 425 400			
	MATERIAL: dural	ORIGINAL SCALE: 1:1	MAIN SYSTEM: A&G Box	DWG TYPE: part				
	FINISH: black anodised	SHEET SIZE: A3	SUB-SYSTEM: Silver Ingrid Flat	LOCATION: BA				
			ITEM: Part	USED ON: BAISF08	DRAWING NUMBER: BAISF07	SHEET 1 of 1		



1 off

UNLESS OTHERWISE STATED ALL DIMENSIONS IN mm GENERAL TOL: ± 0.2 ANGULAR TOL: ± 0.2 SURFACE FINISH: 1.6 (MICRONS) REMOVE ALL SHARP EDGES		TITLE: Backingplate Ingrid Silver Flat		ISSAAC NEWTON GROUP Apartado de Correos, 301 38700 S/C de La Palma Canary Islands SPAIN Tel: +34 928 485 400	
MATERIAL: dural	ORIGINAL SCALE: 1:1	A&G Box	part	DATE DRAWN	DATE APPROV
FINISH: black anodised	SHEET SIZE: A2	Silver Ingrid Flat	BA	DRAWN By Eric Hogervorst	APPROVED By
		MECHANICAL	BAISF12	DATE	
				DRAWING NUMBER BAISF09	SHEET 1 of 1



UNLESS OTHERWISE STATED
 ALL DIMENSIONS IN mm
 GENERAL TOL: ± 0.2
 ANGULAR TOL: ± 0.2
 SURFACE FINISH 1.6
 (MICRONS) ✓
 REMOVE ALL SHARP EDGES

This document belongs to the ISAAC NEWTON GROUP of TELESCOPES and may not be copied, reproduced or displayed in whole or in part without the express written consent of the ISAAC NEWTON GROUP of TELESCOPES

TITLE: Baseplate Silver Ingrid Flat		MATERIAL: dural		ORIGINAL SCALE 1:2	MAIN SYSTEM A&G Box	DWG TYPE part
FINISH: mat black painted		SUB-SYSTEM Silver Ingrid Flat		SHEET SIZE A1	LOCATION BA	USED ON -
		ENG DISCIPLINE MECHANICAL				

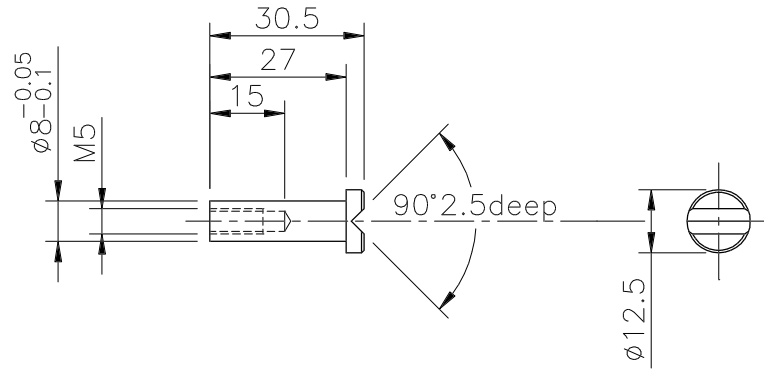
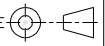
ISSAAC NEWTON GROUP Apartado de Correos,321 38780 S/C de La Palma Canary Islands SPAIN Tel: +34 922 425 400				
1	Eric Hogervorst	20/12/1999		
ISS	DRAWN By	DATE DRAWN	APPROVED By	DATE APPRVD
DRAWING NUMBER BAISF01		SHEET 1 of 1		

Drawing No:

BAISF12

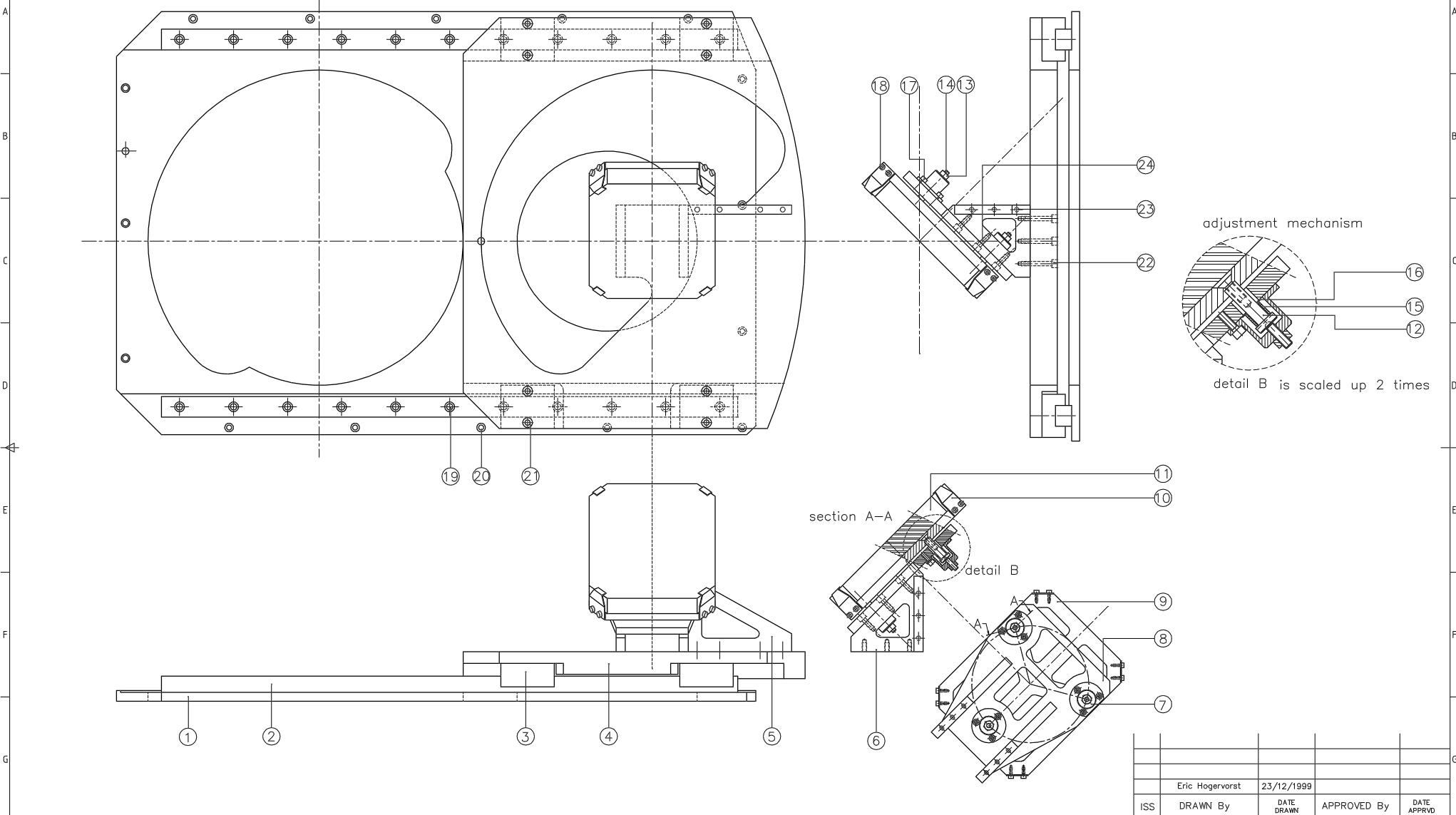
DO NOT SCALE IF IN DOUBT ASK

THIRD ANGLE



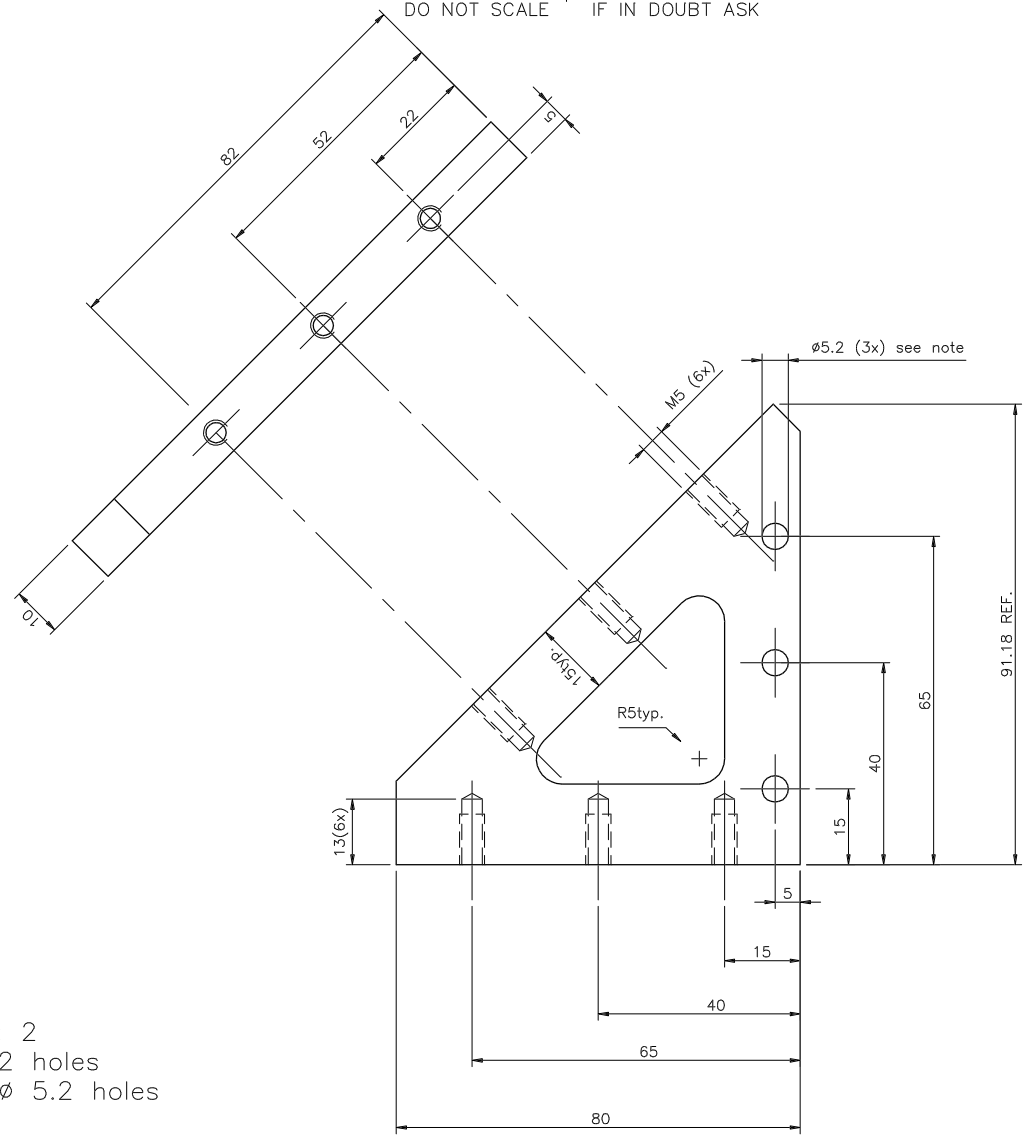
1	Eric Hogervorst	22/12/1999		
ISS	DRAWN By	DATE DRAWN	APPROVED By	DATE APPROV

<p>UNLESS OTHERWISE STATED</p> <p>ALL DIMENSIONS IN mm</p> <p>GENERAL TOL: ± 0.2</p> <p>ANGULAR TOL: ± 0.2</p> <p>SURFACE FINISH 1.6 (MICRONS) ✓</p> <p>REMOVE ALL SHARP EDGES</p> <p><small>This document belongs to the ISAAC NEWTON GROUP of TELESCOPES and may not be copied, reproduced or displayed in whole or in part without the express written consent of the ISAAC NEWTON GROUP of TELESCOPES</small></p>	<p>TITLE:</p> <p align="center">Pin Ingrid Silver Flat</p>		<p>ISAAC NEWTON GROUP Apartado de Correos, 321 38780 S/C de La Palma Canary Islands SPAIN Tel: +34 922 425 400</p>			
	<p>MATERIAL:</p> <p>Stainless steel 316</p>	<p>ORIGINAL SCALE</p> <p>1:1</p>	<p>MAIN SYSTEM</p> <p>A&G Box</p>	<p>DWG TYPE</p> <p>part</p>		
	<p>FINISH:</p> <p>clean</p>	<p>SHEET SIZE</p> <p>A3</p>	<p>SUB-SYSTEM</p> <p>Silver Ingrid Flat</p>	<p>LOCATION</p> <p>BA</p>	<p>USED ON</p> <p>BAISF07</p>	<p>DRAWING NUMBER</p> <p>BAISF12</p>



ISS	Eric Hogervorst	23/12/1999	APPROVED By	DATE APPRVD
DRAWN By				

<p>UNLESS OTHERWISE STATED ALL DIMENSIONS IN mm GENERAL TOL: ± - ANGULAR TOL: ± - SURFACE FINISH (MICRONS) - ✓ REMOVE ALL SHARP EDGES</p> <p><small>This document belongs to the ISAAC NEWTON GROUP of TELESCOPES and may not be copied, reproduced or displayed in whole or in part without the express written consent of the ISAAC NEWTON GROUP of TELESCOPES</small></p>	<p>TITLE: General Assembly Ingrid Silver Flat</p>		<p>ISAAC NEWTON GROUP Apartado de Correos,321 38780 S/C de La Palma Canary Islands SPAIN Tel: +34 922 425 400</p>	
	MATERIAL: -	ORIGINAL SCALE: 1:2	MAIN SYSTEM: A&G Box	DWG TYPE: GA
	FINISH: -	SHEET SIZE: A1	SUB-SYSTEM: Ingrid Silver Flat	LOCATION: BA
			ITEM: assy	USED ON: -
		ENG DISCIPLINE: MECHANICAL	DRAWING NUMBER: BAISF00	SHEET 1 of 1



note: total quantity: 2
 one with Ø5.2 holes
 one without Ø 5.2 holes

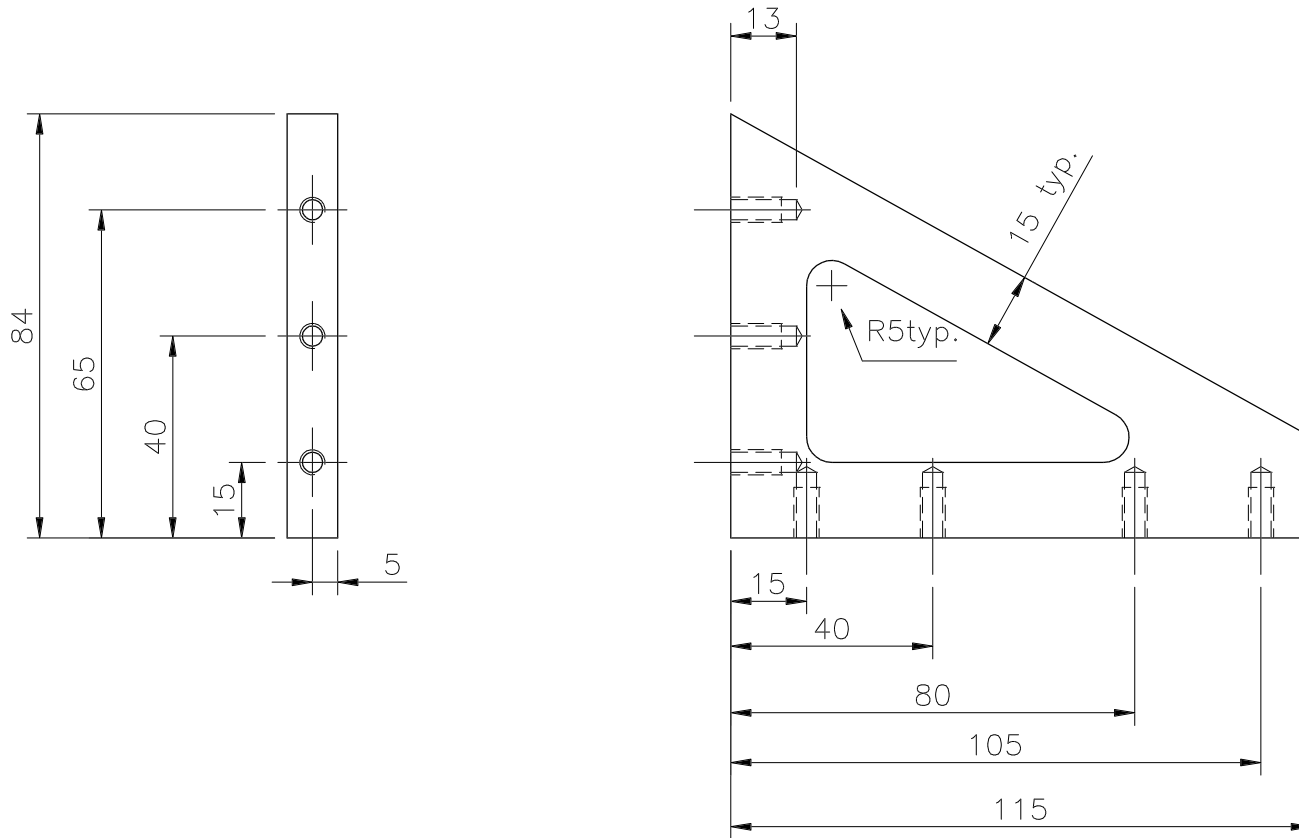
1	Eric Hogervorst	22/12/1999		
ISS	DRAWN By	DATE DRAWN	APPROVED By	DATE APPROV

<p>UNLESS OTHERWISE STATED ALL DIMENSIONS IN mm GENERAL TOL: ± 0.2 ANGULAR TOL: ± 0.2 SURFACE FINISH 1.6 (MICRONS) ✓ REMOVE ALL SHARP EDGES</p> <p><small>This document belongs to the ISAAC NEWTON GROUP of TELESCOPES and may not be copied, reproduced or displayed in whole or in part without the express written consent of the ISAAC NEWTON GROUP of TELESCOPES</small></p>	<p>TITLE: Web45⁺ Ingrid Silver Flat</p>		<p>ISAAC NEWTON GROUP Apartado de Correos, 321 38780 S/C de La Palma Canary Islands SPAIN Tel: +34 922 425 400</p>	
	<p>MATERIAL: dural</p>	<p>ORIGINAL SCALE 1:1</p>	<p>MAIN SYSTEM A&G Box</p>	<p>DWG TYPE part</p>
	<p>FINISH: black anodised</p>	<p>SHEET SIZE A3</p>	<p>SUB-SYSTEM Ingrid Silver Flat</p>	<p>LOCATION BA</p>
			<p>ITEM part</p>	<p>USED ON BAISF04</p>
		<p>ENG DISCIPLINE MECHANICAL</p>	<p>DRAWING NUMBER BAISF06</p>	<p>SHEET 1 of 1</p>

Drawing No: BAISF05

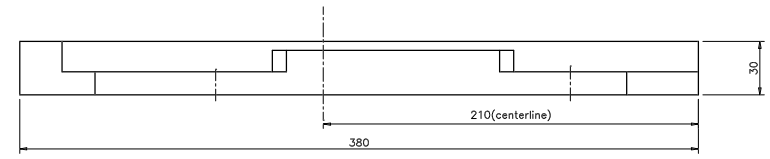
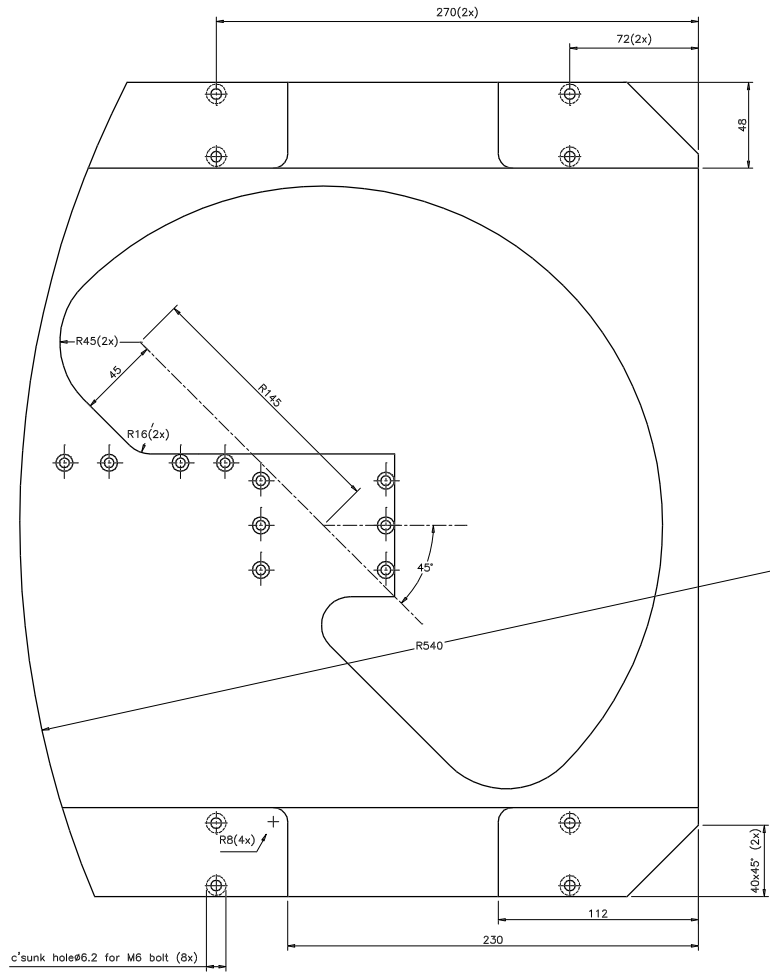
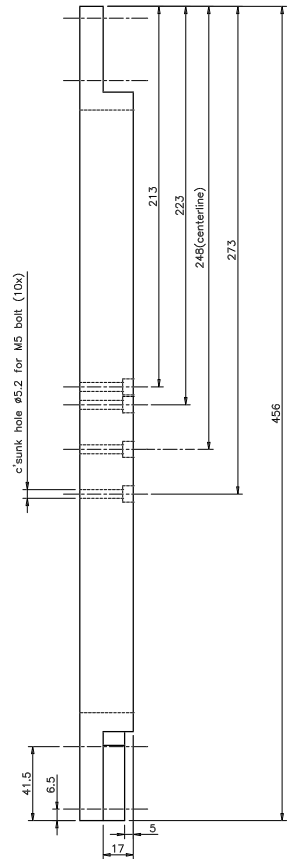
DO NOT SCALE IF IN DOUBT ASK

THIRD ANGLE 



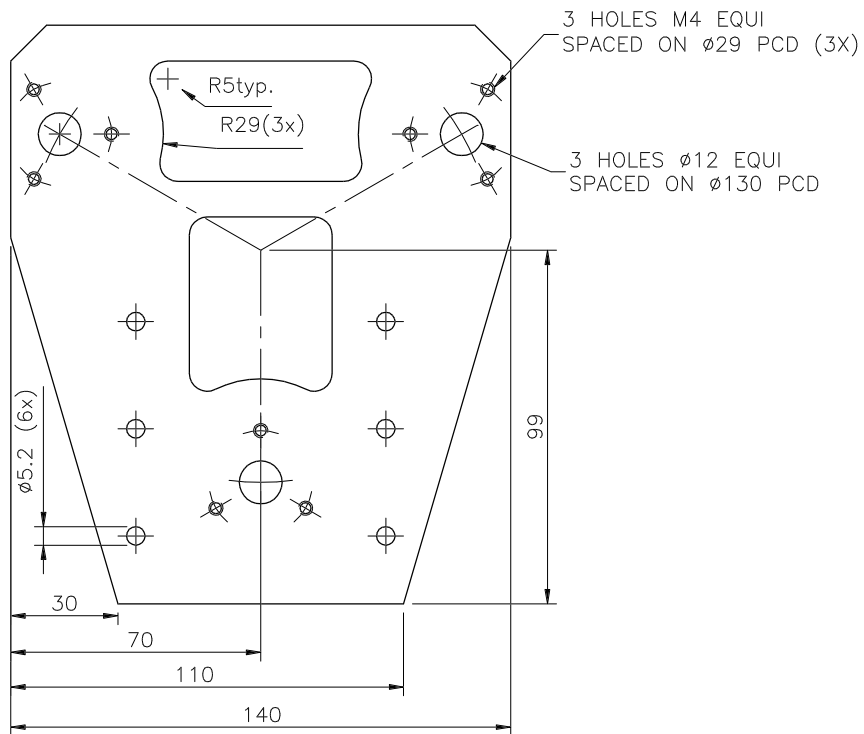
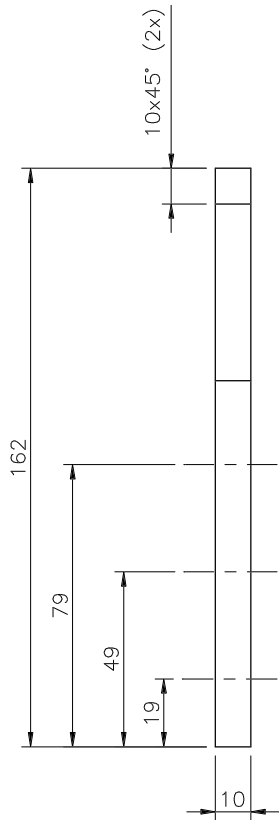
1	Eric Hogervorst	22/12/1999		
ISS	DRAWN By	DATE DRAWN	APPROVED By	DATE APPROVD

<p>UNLESS OTHERWISE STATED ALL DIMENSIONS IN mm GENERAL TOL: ± 0.2 ANGULAR TOL: ± 0.2 SURFACE FINISH 1.6 (MICRONS) ✓ REMOVE ALL SHARP EDGES</p> <p><small>This document belongs to the ISAAC NEWTON GROUP of TELESCOPES and may not be copied, reproduced or displayed in whole or in part without the express written consent of the ISAAC NEWTON GROUP of TELESCOPES</small></p>	<p>TITLE: Web Ingrid Silver Flat</p>			<p>ISAAC NEWTON GROUP Apartado de Correos, 321 38780 S/C de La Palma Canary Islands SPAIN Tel: +34 922 425 400</p>	
	MATERIAL: dural	ORIGINAL SCALE: 1:1	MAIN SYSTEM: A&G Box	DWG TYPE: part	
	FINISH: black anodised	SHEET SIZE: A3	SUB-SYSTEM: Silver Ingrid Flat	LOCATION: BA	
			ITEM: part	USED ON: BAISF04	DRAWING NUMBER: BAISF05
		ENG DISCIPLINE: MECHANICAL		SHEET 1 of 1	



ISS	DRAWN By	DATE DRAWN	APPROVED By	DATE APPROV
1	Eric Hogervorst	21/12/1999		

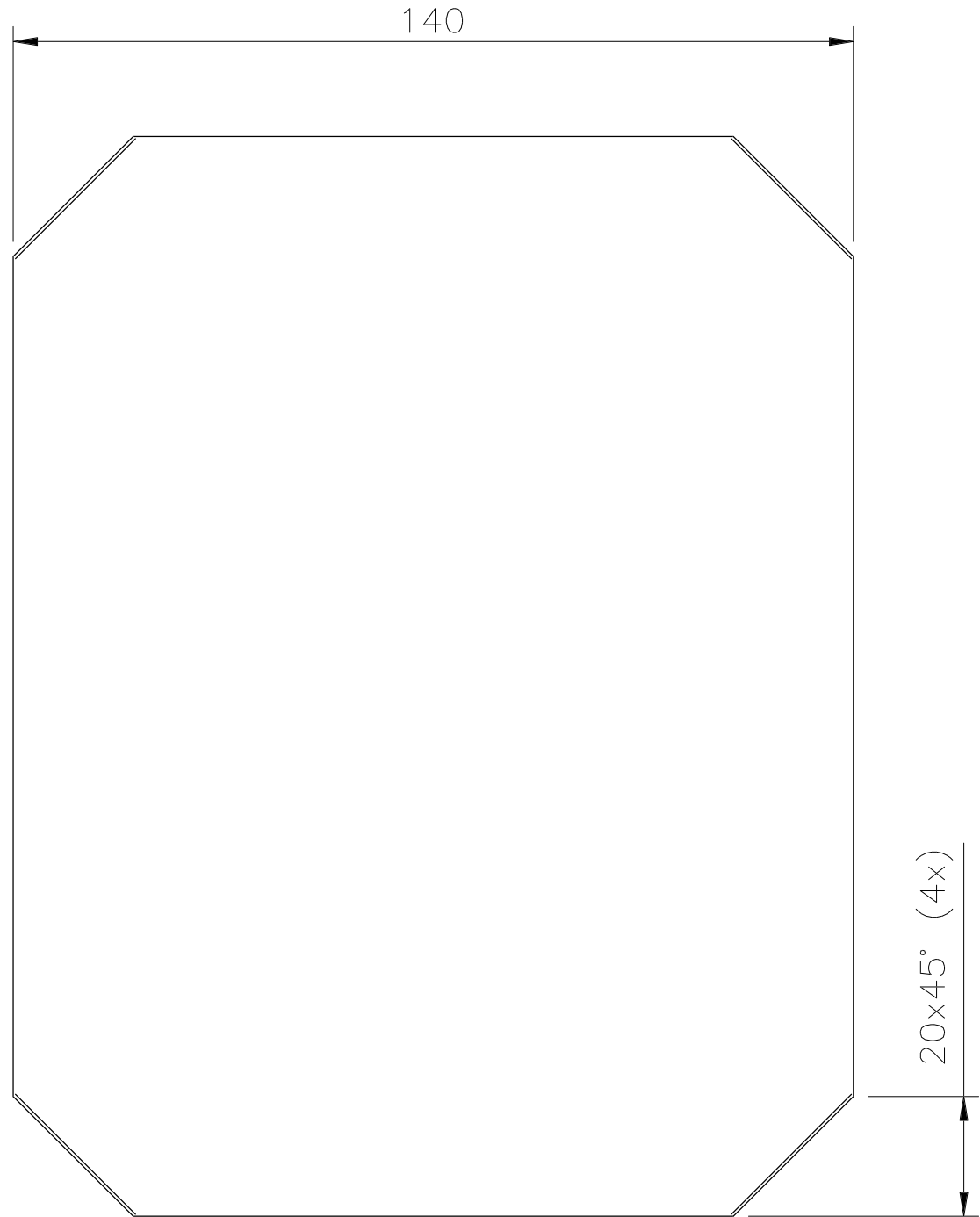
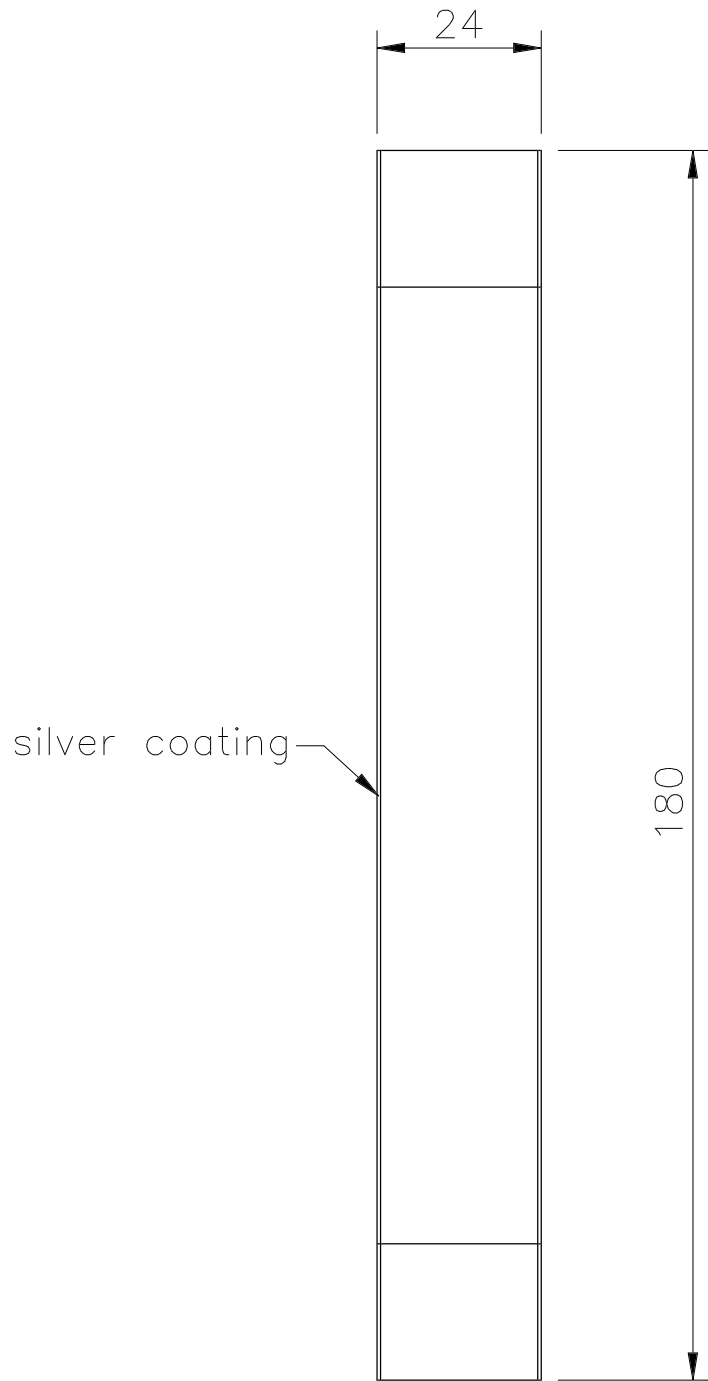
UNLESS OTHERWISE STATED ALL DIMENSIONS IN mm GENERAL TOL: ± 0.2 ANGULAR TOL: ± 0.2 SURFACE FINISH: 1.6 (MICRONS) REMOVE ALL SHARP EDGES		TITLE: Movingplate Ingrid Silver Flat		ISAAC NEWTON GROUP Apartado de Correos, 301 38780 S/C de La Palma Canary Islands SPAIN Tel: +34 928 485 400	
MATERIAL:	dural	ORIGINAL SCALE DRAWN BY:	A&G Box	FILE TYPE:	part
FINISH:	matt black painted	REP-EXTEN:	Silver Ingrid Flat	LOCATION:	BA
SHEET SIZE:	A2	REP-PROJLINE:	Part	USED ON:	BAISF
		DWG DESCRIPTION:	MECHANICAL	DRAWING NUMBER:	BAISF04
					SHEET 1 of 1

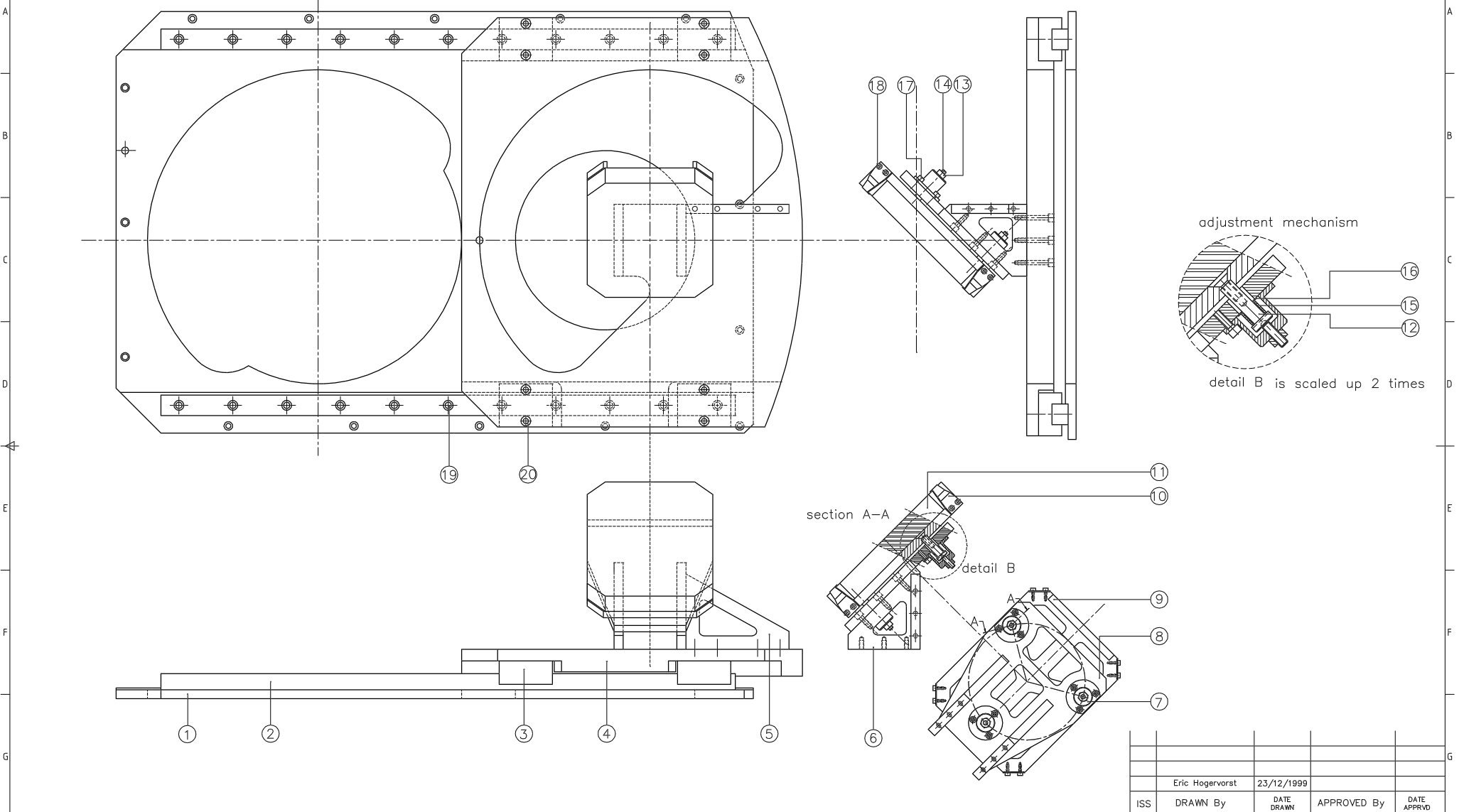


1 off

ISS	DRAWN By	DATE DRAWN	APPROVED By	DATE APPROV
1	Eric Hogervorst	22/12/1999		

UNLESS OTHERWISE STATED ALL DIMENSIONS IN mm GENERAL TOL: ± 0.2 ANGULAR TOL: ± 0.2 SURFACE FINISH (MICRONS) REMOVE ALL SHARP EDGES <small>This information remains in the public domain. Copyright of the ISAAC GROUP and may not be copied, reproduced or altered in whole or in part without the express written consent of the ISAAC GROUP GROUP of MANAGERS.</small>		TITLE: Mounting Plate Ingrid Silver Flat		ISAAC NEWTON GROUP Apartado de Correos, 301 38700 S/C de La Palma Canary Islands SPAIN Tel: +34 928 485 400	
MATERIAL:	dural	ORIGINAL SCALE DRAWN BY:	A&G Box	FILE TYPE:	part
FINISH:	black anodised	1:1	Silver Ingrid Flat	LOCATION:	BA
SHEET SIZE:	A2	REP-ENTER:	Part	USED OF:	BAISF08
		ENG-DRAWING:	MECHANICAL	DRAWING NUMBER:	BAISF08
				SHEET	1 of 1





ISS	Eric Hogervorst	23/12/1999	APPROVED By	DATE APRVD
DRAWN By				

<p>UNLESS OTHERWISE STATED ALL DIMENSIONS IN mm GENERAL TOL: ± - ANGULAR TOL: ± - SURFACE FINISH (MICRONS) ✓ REMOVE ALL SHARP EDGES</p> <p><small>This document belongs to the ISAC NEWTON GROUP of TELESCOPES and may not be copied, reproduced or displayed in whole or in part without the express written consent of the ISAC NEWTON GROUP of TELESCOPES</small></p>	<p>TITLE: General Assembly Ingrid Silver Flat</p>		<p>ISAC NEWTON GROUP Apartado de Correos,321 38780 S/C de La Palma Canary Islands SPAIN Tel: +34 922 425 400</p>	
	MATERIAL: -	ORIGINAL SCALE: 1:2	MAIN SYSTEM: A&G Box	DWG TYPE: GA
	FINISH: -	SHEET SIZE: A1	SUB-SYSTEM: Ingrid Silver Flat	LOCATION: BA
			ITEM: assy	USED ON: -
		ENG DISCIPLINE: MECHANICAL	DRAWING NUMBER: BAISF00	SHEET 1 of 1