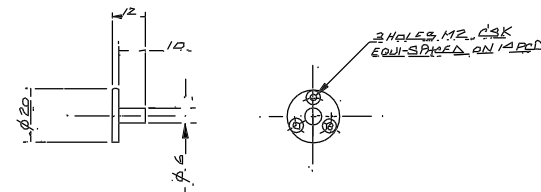
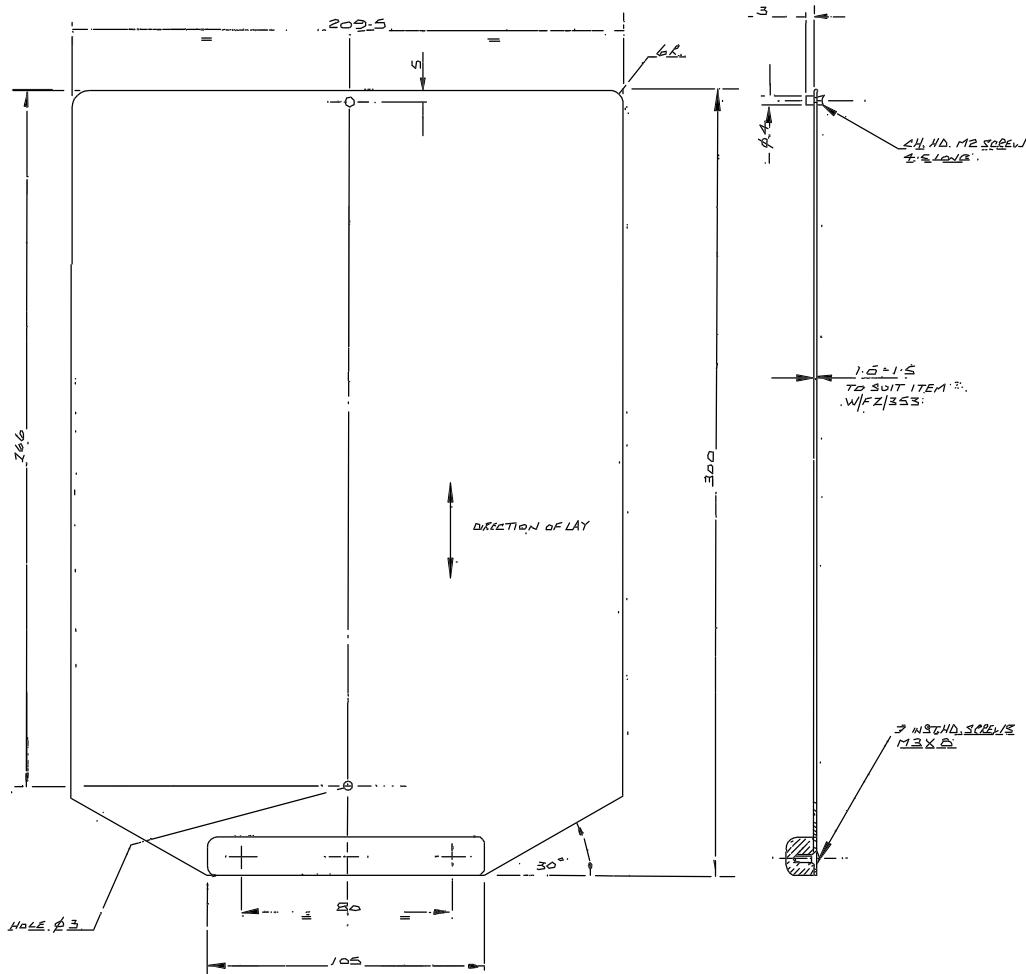
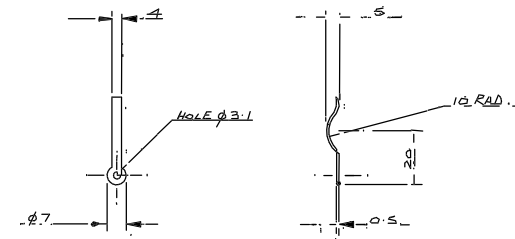


								Tolerances (Unless otherwise stated)		Material		Dimms in mm.		Scale 1:1"		THIRD ANGLE PROJECTION		S.A. No.	
								X 1 0.2		AL. ALLOY		ROYAL GREENWICH OBSERVATORY,		Title		421 ALG CASE I FIBRE OPTIC STATION		Drawing No.	
								XX 1 0.1		Finish		HERSTMONCEUX CASTLE,		BACK PLATE		W/FZ/352			
								XX 1 0.1		Bl. ANODISE.		HAILSHAM		SUSSEX.					
Issue	Mod. No.	Date	Drawn By	Issue	Mod. No.	Date	Drawn By	Org. No.	No. Req.	Used on									
					AVG 08		OTH		1										



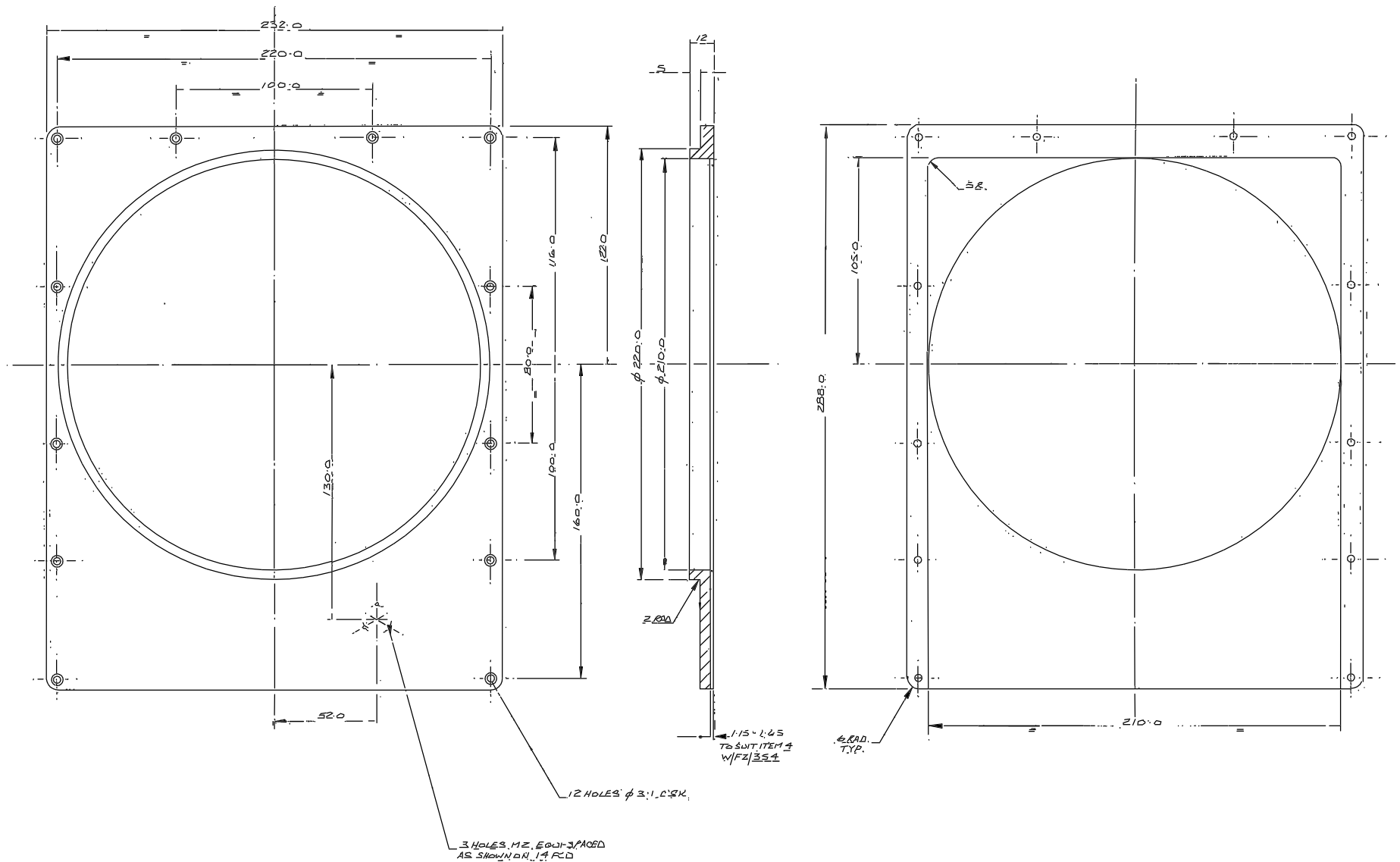
TITLE		
ACTUATOR (PUSH SWITCH)		
MATERIAL	SCALE	TOLERANCES
M.S.	1:1	X ± 0.1
FINISH	NO REQ. PER UNIT	XX
BL. NICKEL	1	XXX
G.A. No.	DRAWING No.	
	R.G.O. W/FZ/355	



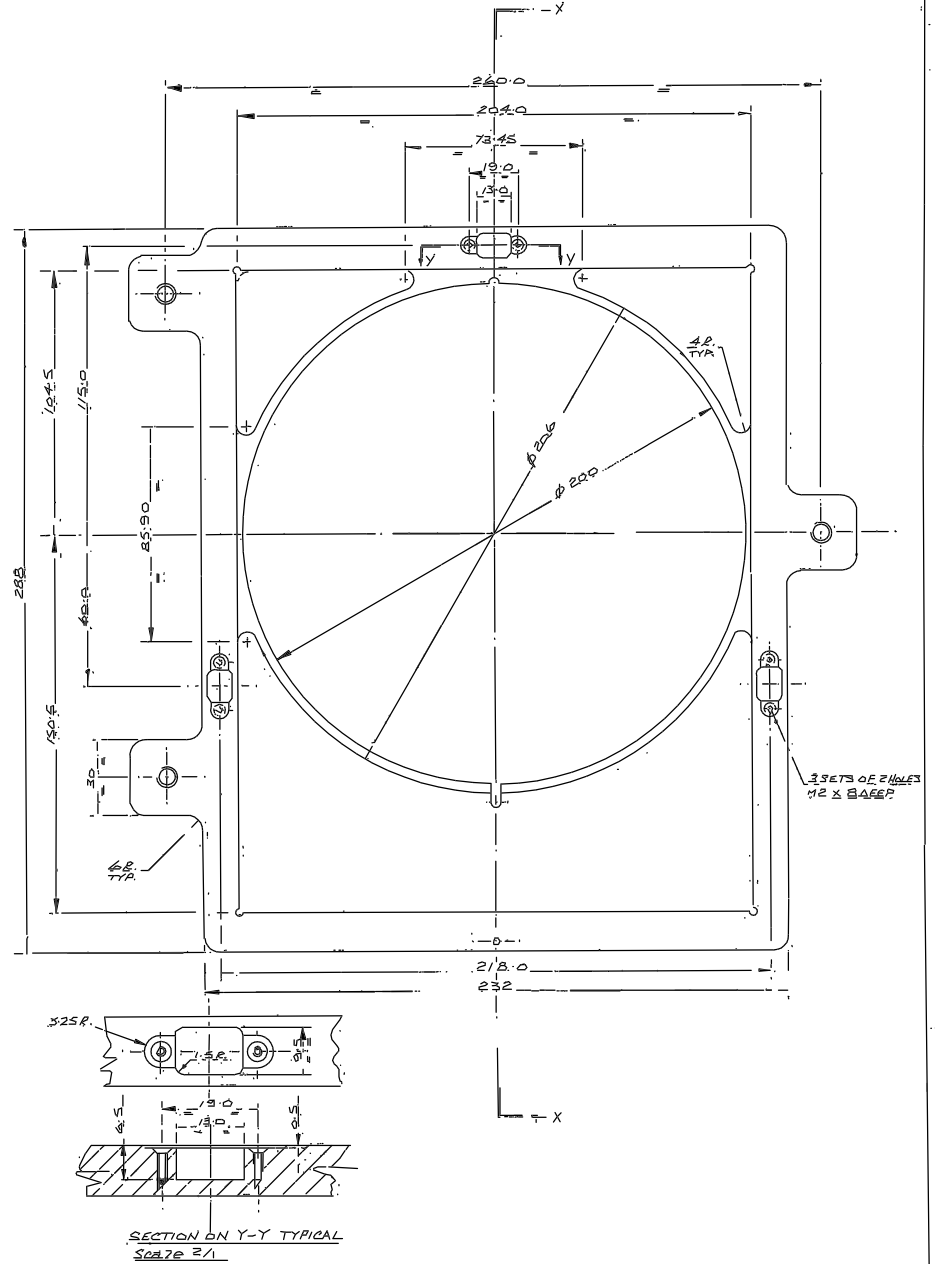
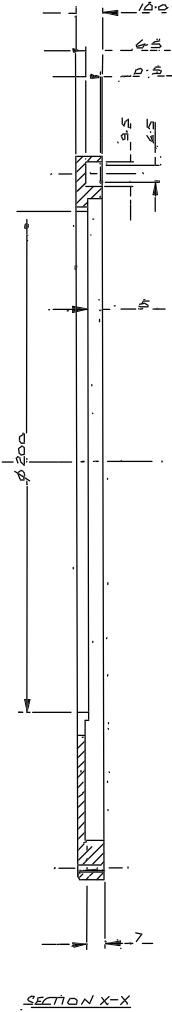
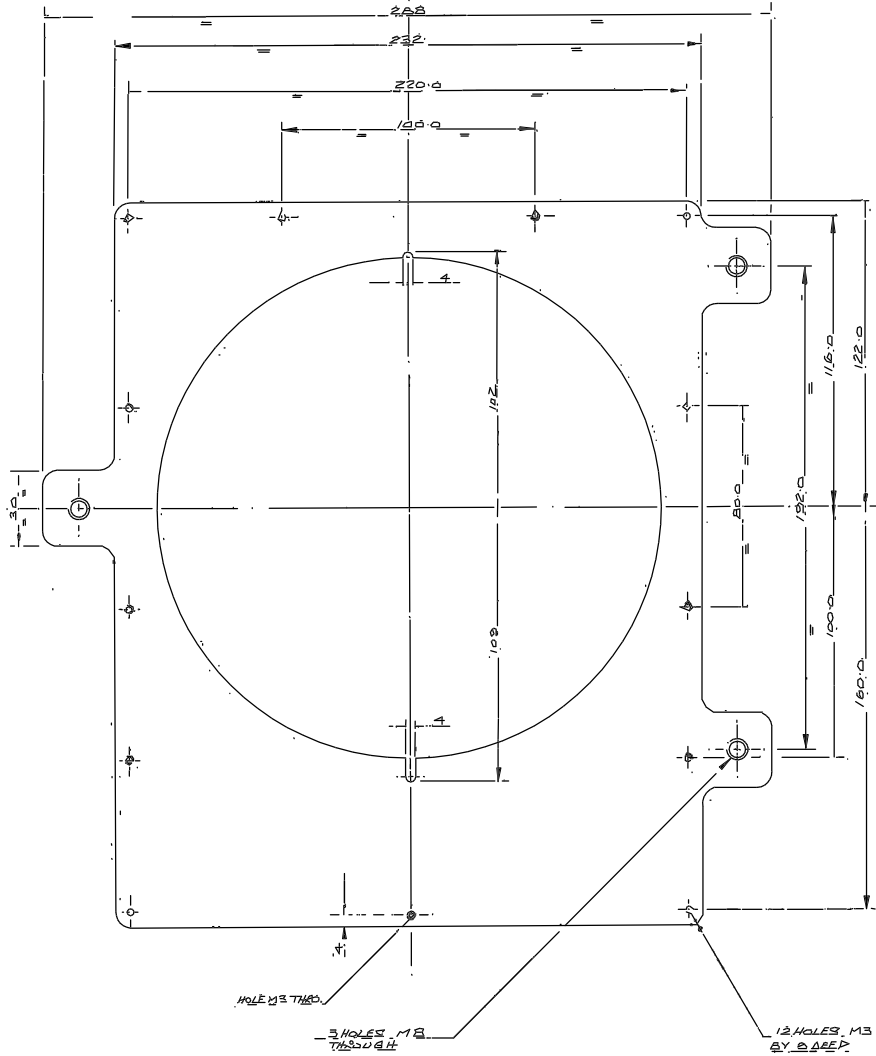
TITLE		
SPRING		
MATERIAL	SCALE	TOLERANCES
BRASS	1:1	X ± 0.1
FINISH	NO REQ. PER UNIT	XX
NEAT TREAT	1	XXX
G.A. No.	DRAWING No.	
	R.G.O. W/FZ/356	

TITLE		
DARK SLIDE		
MATERIAL	SCALE	TOLERANCES
HARD	1:1	X ± 0.1
FINISH	NO REQ. PER UNIT	XX
BL. ANODISE	1	XXX
G.A. No.	DRAWING No.	
	R.G.O. W/FZ/354	

Tolerances (Unless otherwise stated)							Material		Dim in m.m.		Scale		THIRD ANGLE PROJECTION		G.A. No.	
							ROYAL GREENWICH OBSERVATORY, HERSTMONCEUX CASTLE, HAILSHAM		SUSSEX.		Title		42 M.A.C.B. CASE I FIBRE OPTIC STATION		Drawing No.	
							Finish		No. Rev		Used on		DETAILS		W/FZ/354-356	
Issue	Mod. No.	Date	Drawn By	Issue	Mod. No.	Date	Drawn By									



								Tolerances (Unless otherwise stated)	Material			Dimns. in m.m.	Scale	THIRD ANGLE PROJECTION:		G.A. No.
								X ±	AL. ALLOY				1:1	4-21 AG CASE FIBRE OPTIC STATION		v/fz/350
								XX ±	Finish	Dwg. No.	No. Req.	ROYAL GREENWICH OBSERVATORY, HERSTMONCEUX CASTLE, HAILSHAM SUSSEX.		Title		Drawing No.
Issue	Mod. No.	Date	Drawn By	Issue	Mod. No.	Date	Drawn By	BL. ANDISE	Used on			GUIDE FOR DARK SLIDE		W/FZ/353		



HOLE 123 THRO.

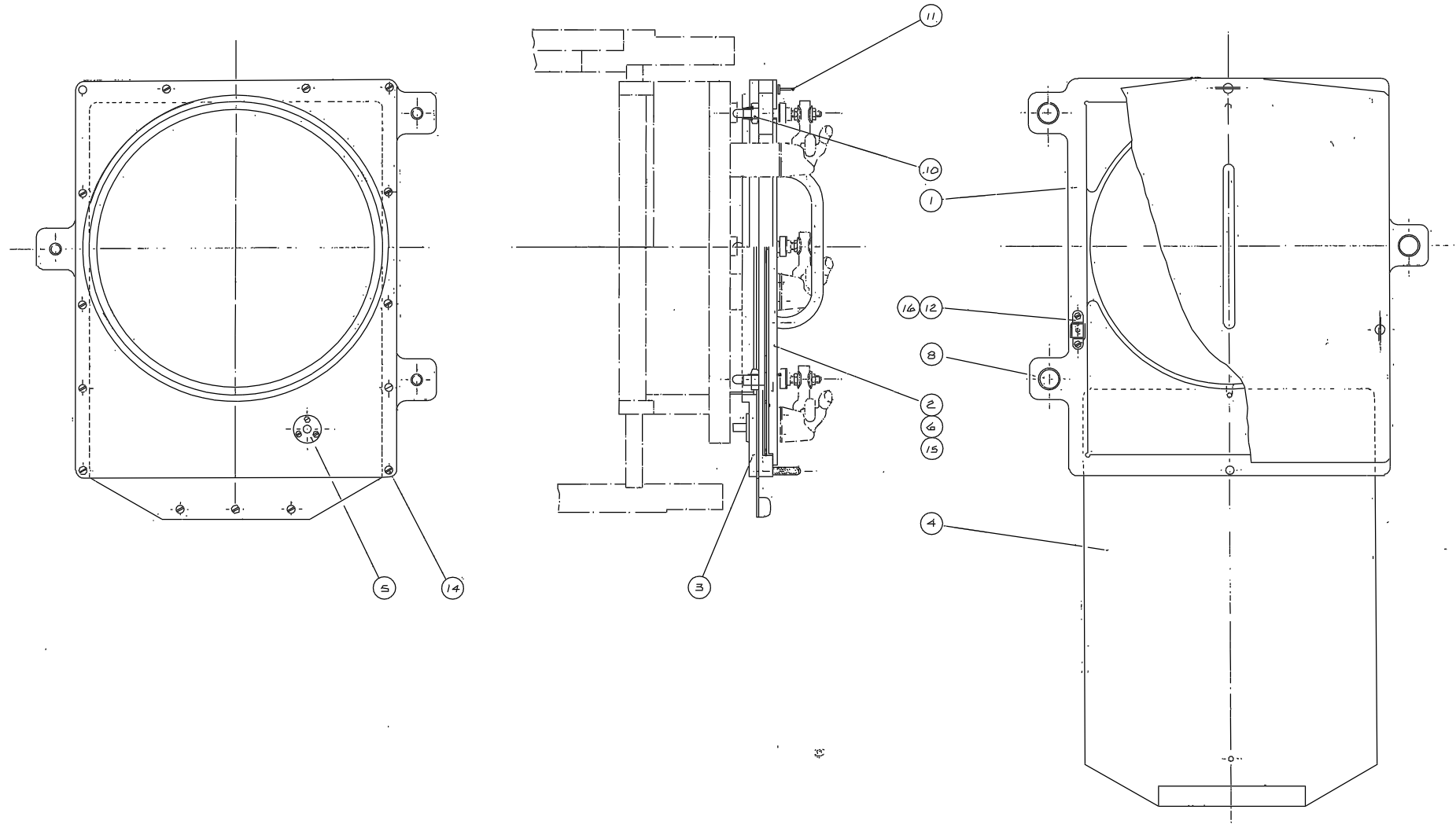
3 HOLES, M2 THRO. 123

12 HOLES, M3 BY 0.4 PREP.

SECTION X-X

SECTION ON Y-Y TYPICAL
S0270 2/1

Tolerance (Unless otherwise stated)						Material AL. ALLOY		Dim's in m.m.		Scale 1:1		THIRD ANGLE PROJECTION		G.A. No. W/FZ/350	
X ± 0.2						Finish BL. ANODISE		ROYAL GREENWICH OBSERVATORY, HERSTMONCEUX CASTLE, HAILSHAM, SUSSEX.		Title 4.2A I/G CASE I FIBRE OPTIC STATION PLATE HOLDER		Drawing No. W/FZ/351			
Issue	Mod. No.	Date	Drawn By	Issue	Mod. No.	Date	Drawn By	Used on	Drp. No.	No. Req.					



								Tolerances (Unless otherwise stated)		Material		Dimms. In m.m.		Scale FULL SIZE.		THIRD ANGLE PROJECTION		S.A. No.	
								X ±				1		ROYAL GREENWICH OBSERVATORY,		Title		Drawing No.	
								XX ±		Finish		Dr. No. No. Rev.		HERSTMENCEUX CASTLE,		10cm PHOTOGRAPHIC PLATE HOLDER FOR FLARE OPTIC STATION		V/FZ/350	
								XXX ±		Laid on				HAILSHAM		SUSSEX.			
Issue	Mod. No.	Date	Drawn By	Issue	Mod. No.	Date	Drawn By												