

DAG Telescope: A New Potential for MOS Observations

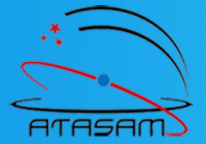
Sinan Aliş¹, Cahit Yeşilyaprak^{2,3}, Sinan Kaan Yerli⁴

¹ Istanbul University, Department of Astronomy and Space Sciences, 34119, Istanbul, Turkey

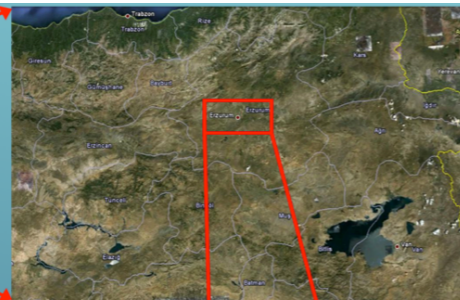
² Ataturk University, Science Faculty, Astronomy and Astrophysics Department, 25240, Erzurum, Turkey

³ Ataturk University, Astrophysics Research and Application Center (ATASAM), 25240, Erzurum, Turkey

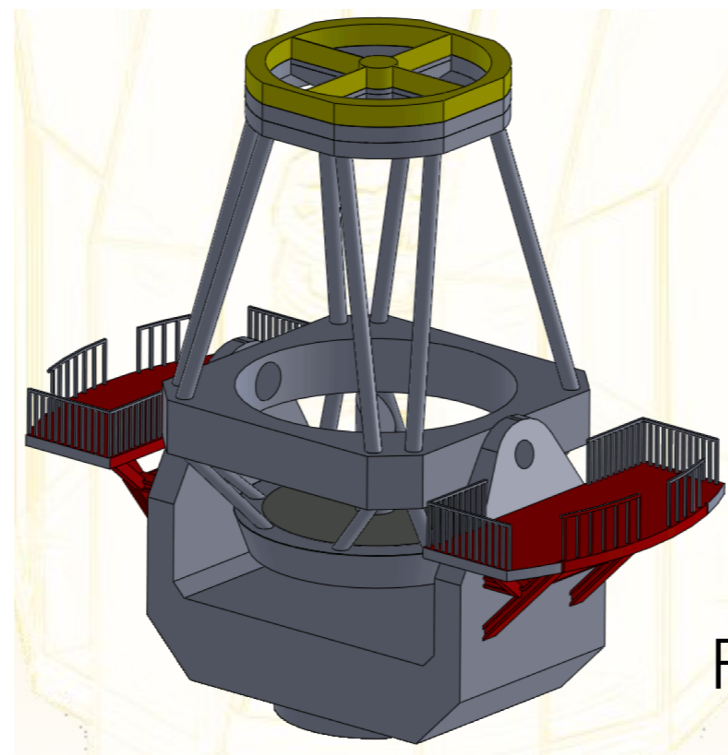
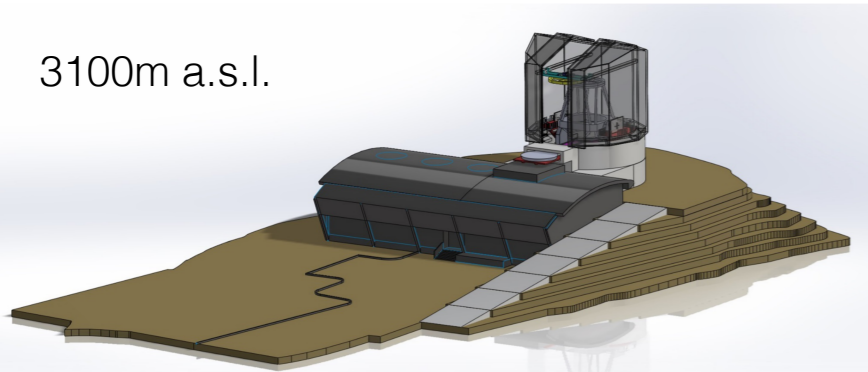
⁴ Orta Doğu Teknik Üniversitesi, Physics Department, 06531, Ankara, Turkey



East Anatolian Observatory (DAG in Turkish)



3100m a.s.l.



4m Optical+NIR w/
2 Nasmyth foci

First Light ~2019



dag-tr.org