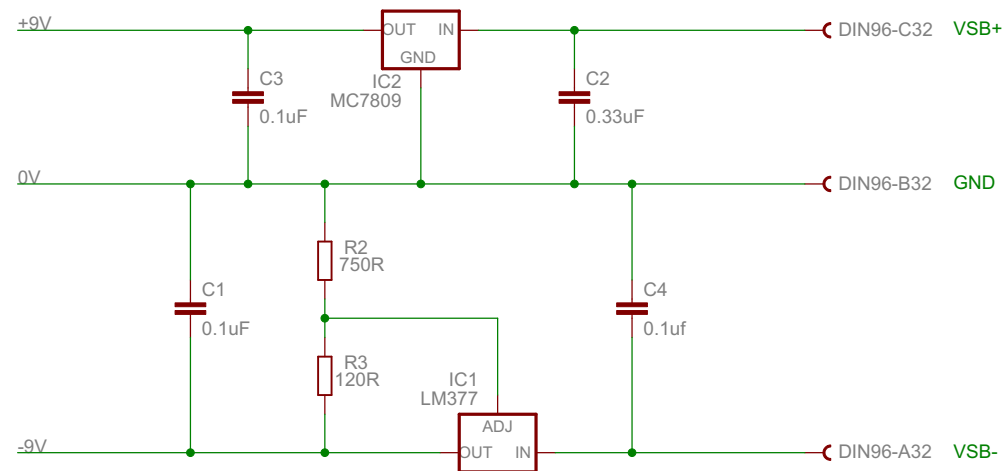
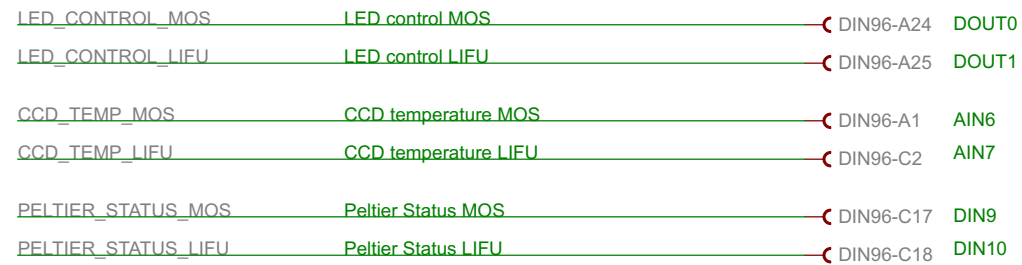
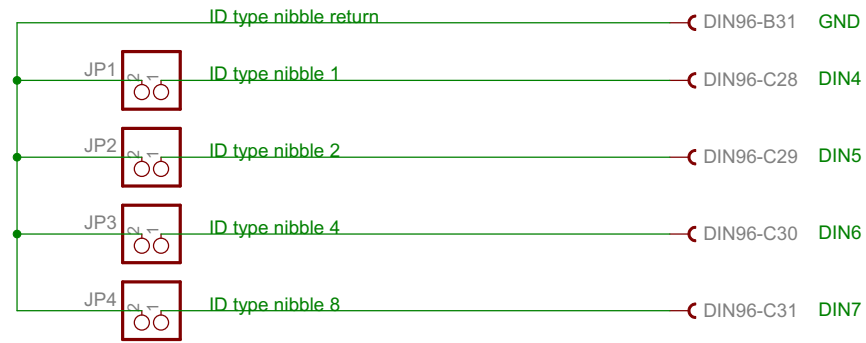
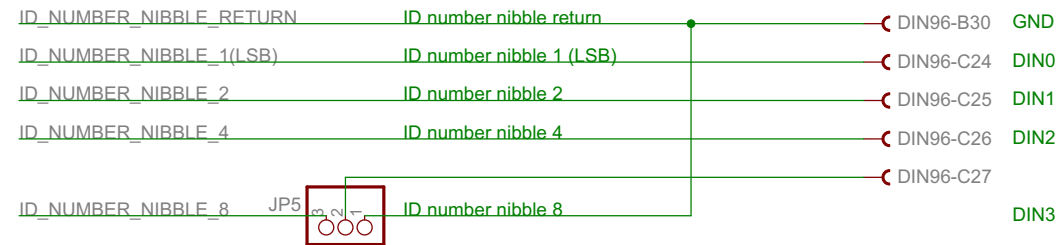
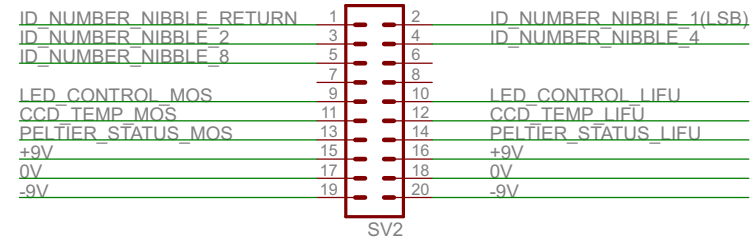
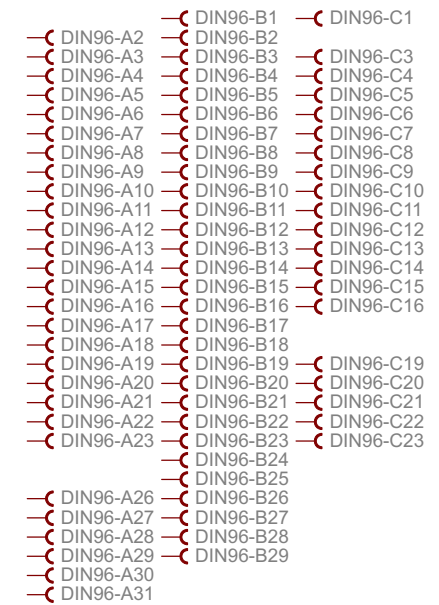


20 Way Molex to
SDSU Controller front panel
RS670-1800



96 way DIN connector to
Utility card



TITLE: Auxillary board

Document Number:

REV:

Date: 27/06/2014 11:18:28

Sheet: 1/1