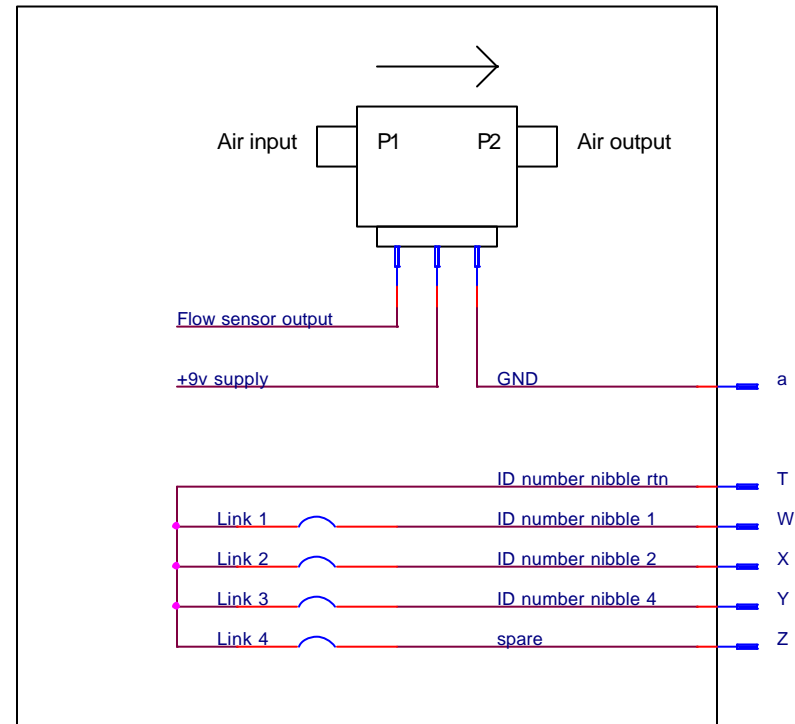


Autoguider Head



Additions required to existing autoguider heads

1. Mechanically mount flow sensor.
2. Feed +/-9v pre-amp supply to flow sensor.
3. Connect flow sensor output to 20-41 connector.
4. Wire ID code links to 20-41 connector.

Title		
SDSU Autoguider Head (mods)		
Size B	Document Number SDSUAuto02	Rev
Date: Thursday, May 15, 2003	Sheet 1 of 1	